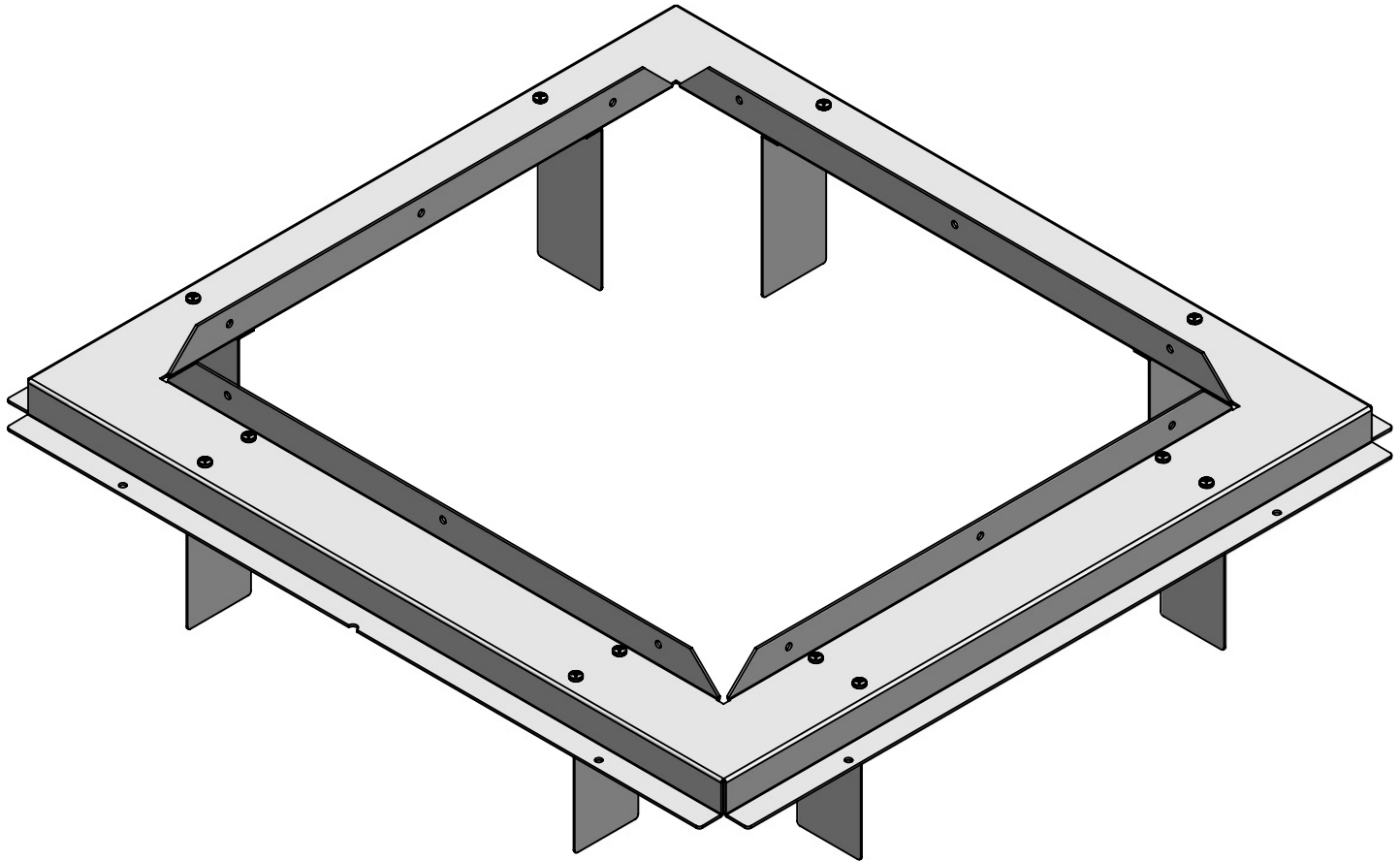


# INSTALLATION GUIDE

## FSB2 SERIES DOWNWARD OUTPUT ADAPTOR



### WARNING

Before installing and operating this product, the user and/or installer must read, understand and follow these instructions and keep them handy for future reference. If these instructions are not followed, the warranty will be considered null and void and the manufacturer deems no further responsibility for this product.

Switch off the power at the circuit breaker/fuse before installing, repairing and cleaning the unit.

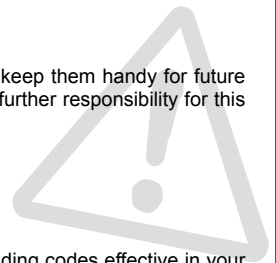
Make sure the adaptor is appropriate for the intended use (if needed, refer to the product catalog or a representative).

Respect distances and positions indicated in the installation section.

This product must be installed by a qualified person and connected by a certified electrician, according to the electrical and building codes effective in your region.

If the installer or user modifies the adaptor, they will be held responsible for any damage resulting from this modification.

The following instructions must be adhered to in order to avoid personal injuries or property damages and serious injuries.

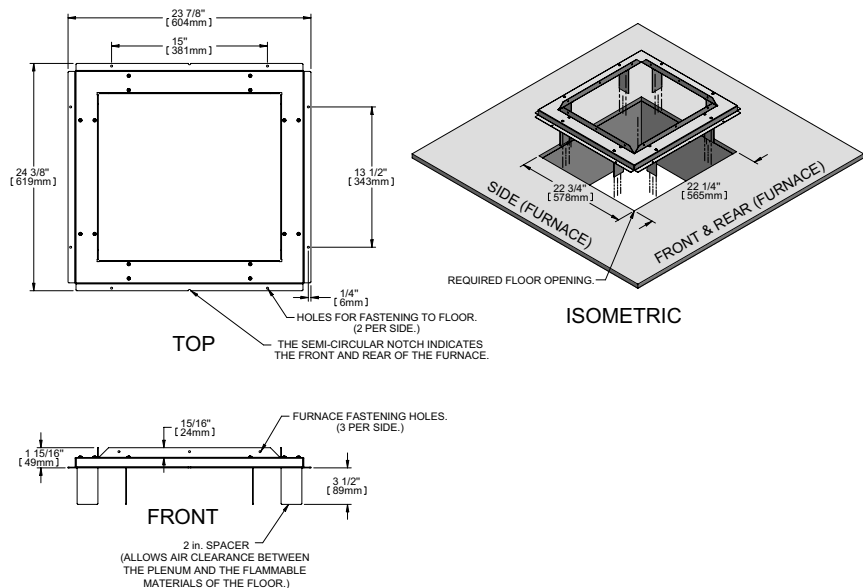


## SPECIFICATIONS

The downward output adaptor permits the installation of 10 kw (or higher) furnaces in vertical downward position when the air outflow passes directly through flammable flooring. This adaptor makes it possible to keep a clearance of 2 inches between the hot air supply plenum and the flammable materials.

TYPE	DESCRIPTION
FSB2	Downward Output Adaptor for SFE 10 to 30 kW

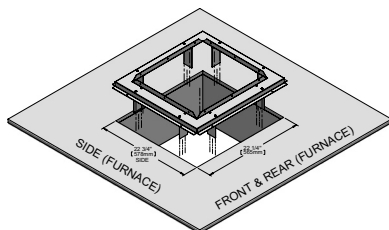
## TECHNICAL DRAWINGS



## INSTALLATION

### OPENING OF FLOOR

- Create an opening of 22 1/4 by 22 3/4 in. The smallest dimension measure of the opening (22 1/4 in.) represents the front and rear of the furnace.



### PARTS PROVIDED

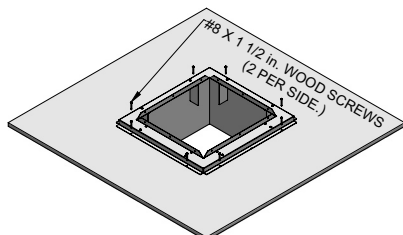
- Downward output adaptor
- 8 #8 X 1 1/2 in. wood screws
- Self adhesive sealing joint (1/4 X 1 in.)

### N.B. The opening must be made to respect the following precautions:

- The floor must be straight and level.
- There must be enough clearance space on a minimum of 3 sides to allow fixing the furnace correctly on the adaptor.
- Standard clearance space for the device must be respected. (See furnace installation guide.)
- Do not weaken the floor structure. The opening must respect existing building codes.

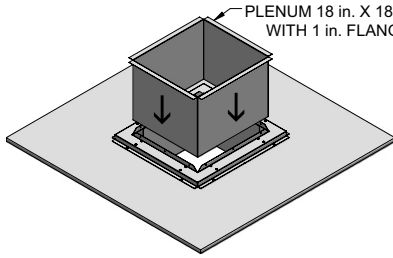
### INSTALLATION OF THE DF ADAPTOR

- Insert the adaptor into the floor and fasten it with the 8 #8 X 1 1/2 in. wood screws provided (2 per side). The semi-circular notches present on 2 sides of the adaptor indicate the smallest side. (22 1/4 in.) therefore, the front or rear of the furnace.



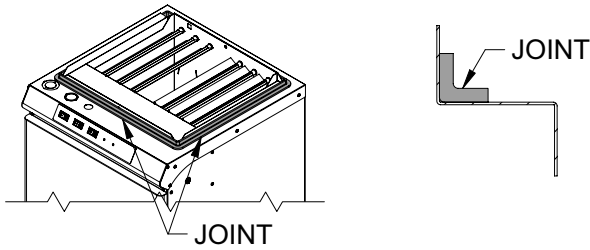
**INSTALLATION OF THE HOT AIR PLENUM**

- Fabricate a sheet metal plenum 18 in. x 18.5 in. having a 1 in. flange toward the exterior. The plenum must be the necessary length to allow lit to completely pass through the flammable flooring. The subsequent plenum or plenums must respect minimum clearance requirements indicated in the furnace installation guide.

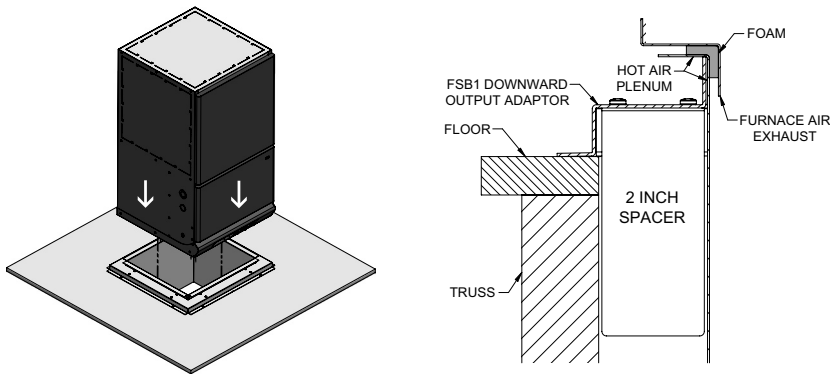


**INSTALLATION OF THE FURNACE**

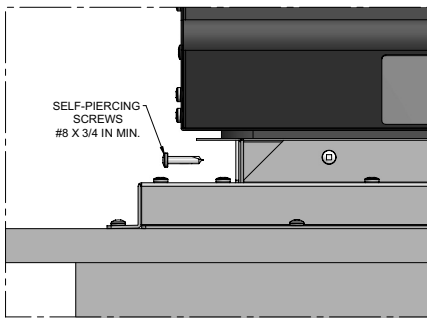
- Glue the self-adhesive sealing joint on the air exhaust of the furnace as indicated in the following figures. This sealing joint allows for sealing the contact surface between the air exhaust of the furnace and the hot air plenum.



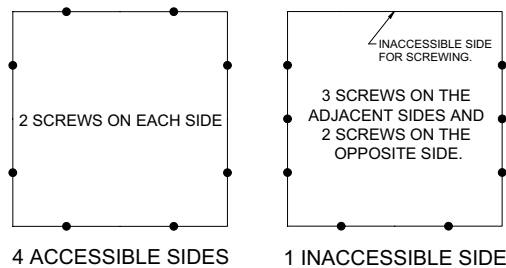
- Install the furnace on the flange of the plenum. Pay particular attention to the adjustment of the sealing joint between the plenum and the air exhaust of the furnace.



- Screw the adaptor on the furnace using 8 #8 X 3/4 in. self-piercing screws (not included)



**N.B. If the four sides of the furnace are accessible, it is necessary to install two screws per side. If one of the four sides is inaccessible, it is necessary to put 3 screws on the sides adjacent to the inaccessible side and 2 screws on the side opposite the inaccessible side.**



- Finalise installation of the furnace according to the use and installation guide provided with it.

# LIMITED WARRANTY

This limited warranty is offered by Stelpro Design Inc. ("Stelpro") and applies to the following products made by Stelpro: model FSB2. **Please read this limited warranty carefully. Subject to the terms of this warranty,** Stelpro warrants its products and their components against defects in workmanship and/or materials for the following periods from the date of purchase: **5 years.** This warranty applies only to the original purchaser; it is non-transferable and cannot be extended.

## CLAIM PROCEDURE

If at any time during the warranty period the unit becomes defective, you must cut off the power supply at the main electrical panel and contact 1) your installer or distributor, 2) your service center or 3) Stelpro's customer service department. In all cases, you must have a **copy of the invoice** and provide the **information written on the product nameplate.** Stelpro reserves the right to examine or to ask one of its representatives to examine the product itself or any part of it before honoring the warranty. Stelpro reserves the right to **replace** the entire unit, **refund** its purchase price or **repair** a defective part. Please note that repairs made within the warranty period must be authorized in advance in writing by Stelpro and carried out by persons authorized by Stelpro.

Before returning a product to Stelpro, you must have a Stelpro authorization number (RMA). To obtain it, call the customer service department at: **1-800-363-3414** (electricians and distributors - French), **1-800-343-1022** (electricians and distributors - English), or **1-866-766-6020** (consumers). The authorization number must be clearly written on the parcel or it will be refused.

## CONDITIONS, EXCLUSIONS AND DISCLAIMER OF LIABILITY

This warranty is exclusive and in lieu of all other representations and warranties (except of title), expressed or implied, and Stelpro expressly disclaims and excludes any implied warranty of merchantability or implied warranty of fitness for a particular purpose.

Stelpro's liability with respect to products is limited as provided above. Stelpro shall not be subject to any other obligations or liabilities whatsoever, whether based on contract, tort or other theories of law, with respect to goods or services furnished by it, or any undertakings, acts or omissions relating thereto. Without limiting the generality of the foregoing, Stelpro expressly disclaims any liability for property or personal injury damages, penalties, special or punitive damages, damages for lost profits, loss of use of equipment, cost of capital, cost of substitute products, facilities or services, shutdowns, slowdowns, or for other types of economic loss or for claims of a dealer's customers or any third party for such damages. Stelpro specifically disclaims all consequential, incidental and contingent damages whatsoever.

This warranty does not cover any damages or failures resulting from: 1) a faulty installation or improper storage; 2) an abusive or abnormal use, lack of maintenance, improper maintenance (other than that prescribed by Stelpro) or a use other than that for which the unit was designed; 3) a natural disaster or an event out of Stelpro's control, including, but not limited to, hurricanes, tornadoes, earthquakes, terrorist attacks, wars, overvoltage, flooding, water damages, etc. This warranty does not cover any accidental or intentional losses or damages nor does it cover damages caused by negligence of the user or owner of the product. Moreover, it does not cover the cost of disconnection, transport, and installation.

The warranty is limited to the repair or the replacement of the unit or the refund of its purchase price, **at the discretion of Stelpro.** Any parts replaced or repaired within the warranty period with the written authorization of Stelpro will be warranted for the remainder of the original warranty period. This warranty will be considered null and void and Stelpro will have the right to refuse any claims if **products have been altered** without the written authorization of Stelpro and if the nameplate numbers have been removed or modified. This warranty does not cover scratches, dents, corrosion or discoloration caused by excessive heat, chemical cleaning products and abrasive agents. It does not cover any damage that occurred during the shipping.

Some states and provinces do not allow the exclusion or limitation of incidental or consequential damages and some of them do not allow limitations on how long an implied warranty lasts, so these exclusions or limitations may not apply to you. This warranty gives you specific legal rights and you may have other rights which vary from state to state or from province to province.