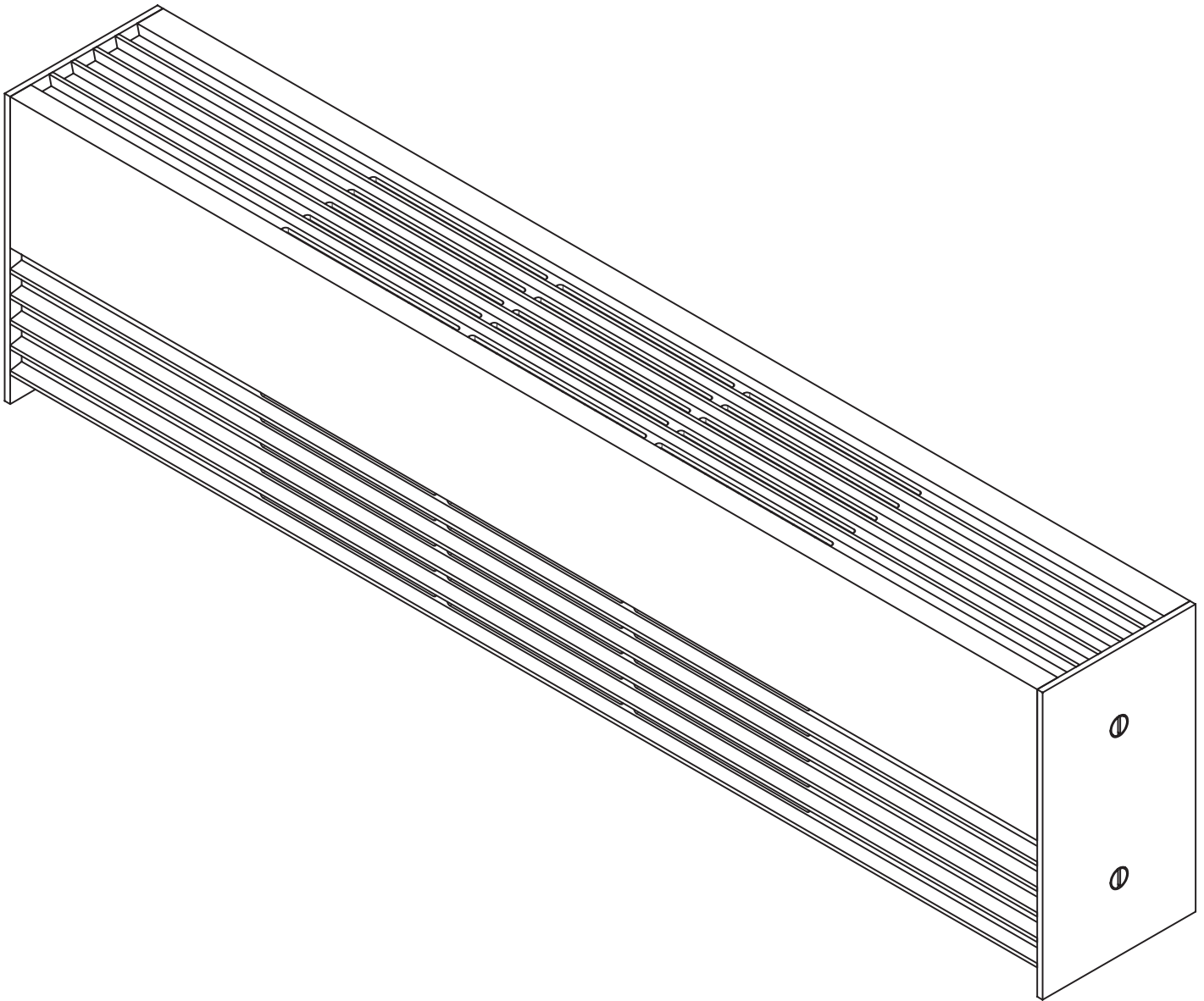




# USER'S GUIDE

## DB SERIES ALUMINUM DRAFT BARRIER

REPLACEMENT COMPONENT LIST INCLUDED



This unit  
complies with  
the CSA and  
UL standards





## WARNING

# IMPORTANT INSTRUCTIONS

Before installing and operating this product, the user and/or installer must read, understand and follow these instructions and keep them handy for future reference. If these instructions are not followed, the warranty will be considered null and void and the manufacturer deems no further responsibility for this product.

This product must be installed by a qualified person and connected by a **certified electrician**, according to the **electrical and building codes** effective in your region.

The following instructions must be adhered to in order to avoid personal injuries or property damages, serious injuries and potentially fatal electric shocks.

Protect the heating unit with the appropriate circuit breaker or fuse, in accordance with the nameplate.

Make sure the line voltage (volt) is consistent with that indicated on the unit's nameplate.

This unit must be **grounded**.

Switch off the power at the circuit breaker/fuse before installing, repairing and cleaning the unit.

Make sure the unit is appropriate for the intended use (if needed, refer to the product catalog or a representative).

### RECOMMENDED HEATING CAPACITY:

#### 1.25 W/cubic foot (0.03 m<sup>3</sup>).

It corresponds to **10 W/square foot (0.09 m<sup>2</sup>)** based on a standard ceiling height of 8 feet (2.44 m). The recommended capacity is usually sufficient for normal heating needs. Please note that the insulation quality of walls and windows are some of the factors that influence heat losses, which modify the required capacity to heat a room. If needed, refer to a specialist who will be able to calculate these heat losses and optimize the required capacity, or consult the "Online heating calculation" section of the Stelpro Design Web site (residential buildings). To heat a large room and to increase your comfort, it is recommended to install several units instead of one. For example, 2 X 1000 W rather than 1 X 2000 W.

Do not install the unit where objects or pieces of furniture could be heat damaged.

If the unit capacity is insufficient for the size of the room, it will be in operation continuously, and may become defective earlier and turn yellow.

If the installer or the user modifies the unit, they will be held responsible for any damage resulting from this modification, and the CSA certification could be void.

This unit must not come into contact with a water source and must be protected from splashes (e.g. a wet mop). Do not use it if any part has been immersed. Moreover, do not turn it on or off when standing in water or if your hands are wet.

When mounting the unit, make sure that the anchorage used can support the total weight of the unit with the mounting brackets.

When cutting or drilling into a wall, do not damage electrical wiring and other hidden utilities.

When starting up the unit for the first time or after a long period, it is normal that it produces some temporary odours and whitish smoke.

Because this unit is hot when in use, it may pose risks even in normal operation. Therefore, be **careful** and **responsible** when using it. To avoid burns, do not let bare skin touch hot surfaces. Let the unit cool down for a few minutes before handling it (it will stay warm for some time after shut-down). If provided, use handles when moving this heater.

Leave a 2-inch (5 cm) clearance space between unit and floor (when installed with the DBBT accessory only). Leave at least **3 inches (7.5 cm)** between the front of the unit and objects such as, but not limited to, beds, tables, armchairs, curtains, etc. Leave at least **6 inches (15 cm)** of space between the top of the unit and objects such as, but not limited to furniture, pillows, curtains, blankets, towels, laundry baskets, clothing, papers, etc. Furthermore, certain materials are more sensitive to heat than others, you must assure that these materials are located at a proper proximity where they can handle the heat released.

Do not install on a wall behind a door.

Never block unit air vents. This obstruction could lead to overheating, which could result in a fire. Do not use on soft surfaces, like a bed, where openings may become blocked.

Do not insert or allow foreign objects to enter any air vent as this may cause electric shocks, a fire or damages to the unit.

This unit has hot and arcing or sparking parts inside. It is not designed to be used or stored in wet areas or areas containing flammable liquids, combustible materials or corrosive, abrasive, chemical, explosive and flammable substances such as, but not limited to, gasoline, paint, chlorine, sawdust and cleaning products.

Some areas are dustier than others. Thus, it is the user's responsibility to evaluate if the unit **must be cleaned** based on the amount of dirt accumulated on and inside air vents. Accumulated dirt can lead to a component malfunction or give a yellowish colour to unit. Failure to install and maintain unit in accordance with these instructions poses a fire hazard.

Thermal protection activation indicates that the unit has been subjected to abnormal operating conditions. If the thermal protection remains activated or activates and deactivates repeatedly, it is recommended that a qualified electrician or a certified repair centre examine the unit in order to make sure it is not damaged. (Refer to the limited warranty).

If the unit is damaged or defective, cut off power supply at circuit breaker and call a certified repair centre. (Refer to the limited warranty).

## SAVE THESE INSTRUCTIONS

**Note:** When a part of the product specification must be changed to improve operability or other functions, priority is given to the product specification itself. In such instances, the instruction manual may not entirely match all the functions of the actual product. Therefore, the actual product and packaging, as well as the name and illustration, may differ from the manual.

# SPECIFICATIONS & TECHNICAL DRAWINGS

## SPECIFICATIONS

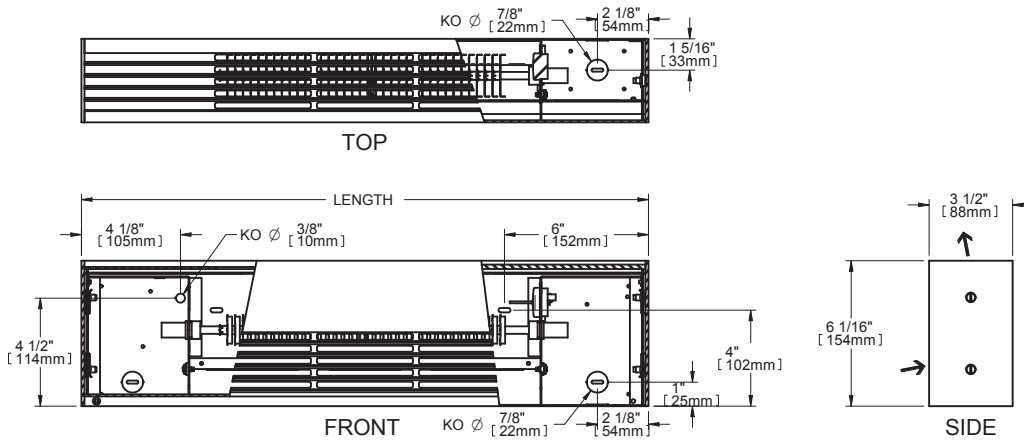
250 W DENSITY PER LINEAR FOOT		200 W DENSITY PER LINEAR FOOT		150 W DENSITY PER LINEAR FOOT		VOLTAGE	LENGTH		WEIGHT	
code	watts	code	watts	code	watts	volts	mm	in	kg	lb
DB605x	500 W	DB6041	400 W	DB6031	300 W	x	600	23 5/8	3,1	6,7
DB907x	750 W	DB9061	600 W	DB9041	450 W	x	900	35 7/16	4,6	10,1
DB1210x	1000 W	DB12081	800 W	DB12061	600 W	x	1200	47 1/4	6,8	13,4
DB1512x	1250 W	DB15101	1000 W	DB15071	750 W	x	1500	59 1/16	7,6	16,8
DB1815x	1500 W	DB18121	1200 W	DB18091	900 W	x	1800	70 7/8	9,1	20,1
DB2117x	1750 W	DB21148	1400 W	DB21108	1050 W	x	2100	82 11/16	10,6	23,4
DB2420x	2000 W	DB24168	1600 W	DB24128	1200 W	x	2400	94 1/2	12,2	26,8
DB2722x	2250 W	DB27188	1800 W	DB27138	1350 W	x	2700	106 5/16	13,6	30,1
DB2725x	2500 W	DB27208	2000 W	DB27158	1500 W	x	2700	106 5/16	13,6	30,1

Add **W** for white, **SW** for silica white or **CA** for clear anodized.

**x = 1 (120 V)    2 (240 V)    3 (347 V)    5 (480 V)    6 (600 V)    7 (277 V)    8 (208 V)**

For a complete model list, consult our online product catalog at [stelpro.com](http://stelpro.com)

## TECHNICAL DRAWINGS



# INSTALLATION

## INSTALLATION



**CAUTION - HIGH TEMPERATURE, KEEP ELECTRICAL CORDS, DRAPES, AND OTHER FURNISHINGS AWAY FROM UNIT.**

Keep drapes at a distance of at least 6 inches (15 cm) from unit.

Do not install unit against combustible low-density cellulose fiberboard surfaces or below an electrical convenience receptacle.

To reduce the risk of fire, do not store or use gasoline or other flammable vapors and liquids in the vicinity of the unit. Do not install unit in contact with combustible materials.

**Cut off power supply at circuit breaker/fuse before proceeding with the installation.**

This product is for surface mounting only. When installed with the DBBT accessory, this product must have a 2-inch clearance space between unit and floor. Optional blank sections and fillers are available for a continuous effect. To install accessories (built-in thermostat or relay), refer to the appropriate installation guide.

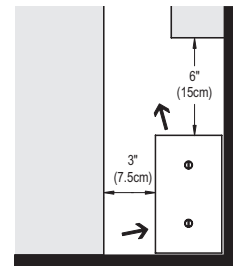
1. Remove cover.
2. Secure unit on the wall using screws.
3. Put back cover.

**When cutting or drilling into a wall, be careful not to damage electrical wiring and other hidden utilities.**

## CLEARANCE REQUIRED

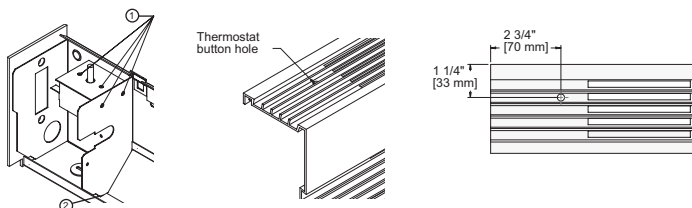
**N.B. The illustration indicates the airflow generated by the baseboard heater.**

This air corridor must remain clear in order to allow the unit to operate efficiently; to ensure good air circulation and to avoid a fire hazard. Leave at least 3 inches (7.5 cm) between the front of the unit and objects such as, but not limited to, beds, tables, armchairs, curtains, etc. Leave at least 6 inches (15 cm) of space between the top of the unit and objects such as, but not limited to, furniture, pillows, curtains, blankets, towels, laundry baskets, clothing, papers, etc. Furthermore, certain materials are more sensitive to heat than others, you must assure that these materials are located at a proper proximity where they can handle the heat released.

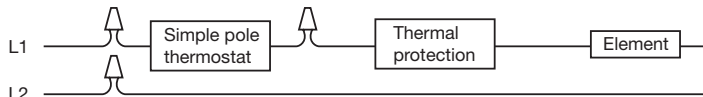


## BUILT-IN THERMOSTAT

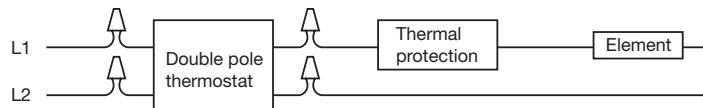
1. Install the fixing screws in the appropriate holes
2. Install the thermostat bulb in the bottom of the unit



### Simple pole thermostat



### Double pole thermostat



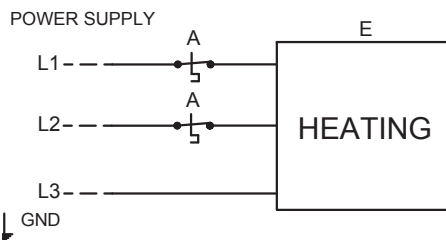
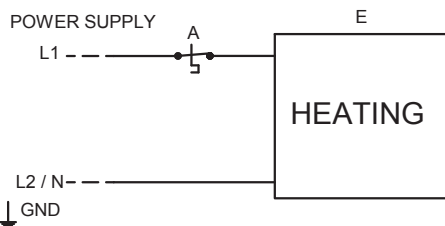
## ELECTRICAL CONNECTION

**Cut off power supply at circuit breaker/fuse before proceeding with the connection.**

Using a connector (marette), connect the bare wire (ground) to the green wire of the unit. Connect wires from the electrical box to the unit's supply leads in the same way.

**N.B. This unit must be connected by a qualified electrician, according to the electrical and building codes effective in your region.**

## ELECTRICAL DIAGRAM



- G14
- - - OUTSIDE CONNECTION
- A THERMAL PROTECTION
- E ELEMENT
- GND GROUND

# OPERATION, MAINTENANCE & REPLACEMENT COMPONENT LIST

## OPERATION

**WARNING :** the unit must be properly installed before being used.

## MAINTENANCE



**N.B. The unit should be cleaned at least once a year. All other servicing is to be done by qualified service personnel. This unit must be cleaned regularly in order for the warranty to be valid. Make sure the power has been turned off at the circuit breaker panel and that the heating element has cooled before cleaning the unit or before removing grill for cleaning and lubrication.**

Use a soft rag for dusting. When cleaning, use only a damp rag and non-abrasive dish soap. If you use a cleaning product, always wipe the product off properly to avoid the discoloration of the unit. Do not use abrasive or chemical cleaners because they may damage the finishing. If the unit is used in a very dusty location, use a vacuum brush to remove dust and other foreign objects from the grilles. Note that cigarette smoke could yellow the discharge grille and that the best way to prevent it is to clean the unit on a regular basis.

Don't forget to replace front grille (with the screws that were removed) if it was removed for cleaning.

Restore the power when cleaning or lubrication work is complete.

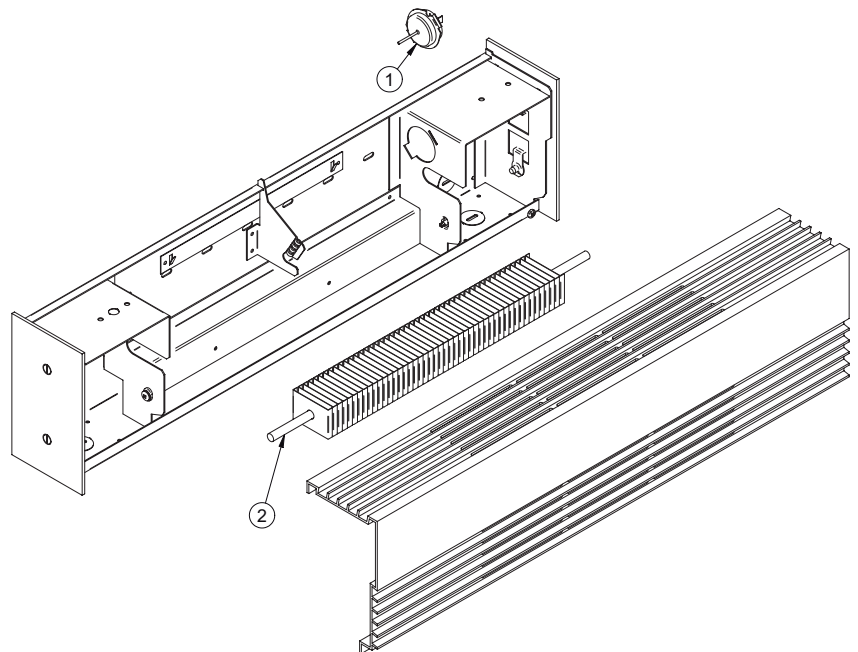
**Do not use cleaning products identified with these symbols:**



**N.B. Note that there is electrical current linked to the unit even if the thermostat is set off. This means that there is a risk of electric shock as long as the unit is energized.**

## REPLACEMENT COMPONENT LIST

REF. #	PART #	DESCRIPTION
1	PROT-101	LINEAR THERM. PROT. (AUTO.) (L200) 600 MM
1	PROT-102	LINEAR THERM. PROT. (AUTO.) (L200) 900 MM
1	PROT-103	LINEAR THERM. PROT. (AUTO.) (L200) 1200 MM
1	PROT-104	LINEAR THERM. PROT. (AUTO.) (L200) 1500 MM
1	PROT-105	LINEAR THERM. PROT. (AUTO.) (L200) 1800 MM
1	PROT-106	LINEAR THERM. PROT. (AUTO.) (L200) 2100 MM
1	PROT-108	LINEAR THERM. PROT. (AUTO.) (L200) 2400 MM
1	PROT-109	LINEAR THERM. PROT. (AUTO.) (L200) 2700-3000MM
2	EA0300-06-***	ELEMENT 300 W (600 MM)
2	EA0400-06-***	ELEMENT 400 W (600 MM)
2	EA0450-09-***	ELEMENT 450 W (900 MM)
2	EA0600-09-***	ELEMENT 600 W (900 MM)
2	EA0600-12-***	ELEMENT 600 W (1200 MM)
2	EA0750-09-***	ELEMENT 750 W (900 MM)
2	EA0750-15-***	ELEMENT 750 W (1500 MM)
2	EA0800-12-***	ELEMENT 800 W (1200 MM)
2	EA0900-18-***	ELEMENT 900 W (1800 MM)
2	EA1000-12-***	ELEMENT 1000 W (1200 MM)
2	EA1000-15-***	ELEMENT 1000 W (1500 MM)
2	EA1050-21-***	ELEMENT 1050 W (2100 MM)
2	EA1200-18-***	ELEMENT 1200 W (1800 MM)
2	EA1200-24-***	ELEMENT 1200 W (2400 MM)
2	EA1250-15-***	ELEMENT 1250 W (1500 MM)
2	EA1350-27-***	ELEMENT 1350 W (2700 MM)
2	EA1400-21-***	ELEMENT 1400 W (2100 MM)
2	EA1500-18-***	ELEMENT 1500 W (1800 MM)
2	EA1500-27-***	ELEMENT 1500 W (2700 MM)
2	EA1600-24-***	ELEMENT 1600 W (2400 MM)
2	EA1750-21-***	ELEMENT 1750 W (2100 MM)
2	EA1800-27-***	ELEMENT 1800 W (2700 MM)
2	EA2000-24-***	ELEMENT 2000 W (2400 MM)
2	EA2000-27-***	ELEMENT 2000 W (2700 MM)
2	EA2250-27-***	ELEMENT 2250 W (2700 MM)
2	EA2500-27-***	ELEMENT 2500 W (2700 MM)



## TROUBLESHOOTING

PROBLEM	DEFECTIVE PART OR PART TO CHECK
The unit does not work	<ul style="list-style-type: none"> <li>Defective thermostat or wrong thermostat setting</li> <li>Open circuit breaker or fuse</li> <li>Thermal protection activated</li> <li>Faulty connections</li> </ul>
The unit runs continuously	<ul style="list-style-type: none"> <li>Defective thermostat or wrong thermostat setting</li> <li>Heat losses greater than the unit's capacity</li> </ul>
The enclosure is extremely hot	<ul style="list-style-type: none"> <li>Defective thermal protection</li> <li>Blocked air vents</li> </ul>
The unit cycles under control of the thermal protection (overheat indicator)	<ul style="list-style-type: none"> <li>Blocked air vents</li> </ul>
Overheating	<ul style="list-style-type: none"> <li>Defective thermostat or wrong thermostat setting</li> </ul>
The breaker trips when the heater is turned on	<ul style="list-style-type: none"> <li>Faulty connections</li> <li>Voltage higher than that indicated on the nameplate</li> </ul>
The desired room temperature cannot be reached	<ul style="list-style-type: none"> <li>One or more defective elements</li> <li>Defective thermostat or wrong thermostat setting</li> <li>Voltage lower than that indicated on the nameplate</li> <li>Heat losses greater than the unit capacity</li> </ul>

N.B. If you do not solve the problem after checking these points, cut off the power supply at the main electrical panel and contact our customer service (see the "Limited warranty" section to obtain the phone numbers).

LIMITED WARRANTY

This limited warranty is offered by Stelpro Design inc. ("Stelpro") and applies to the following product made by Stelpro: model DB. **Please read this limited warranty carefully.** Subject to the terms of this warranty, Stelpro warrants its products and their components against defects in workmanship and/or materials for the following periods from the date of purchase: **3 years**. This warranty applies only to the original purchaser; it is non-transferable and cannot be extended.

**CLAIM PROCEDURE**

If at any time during the warranty period the unit becomes defective, you must cut off the power supply at the main electrical panel and contact 1) your installer or distributor, 2) your service center or 3) Stelpro's customer service department. In all cases, you must have a **copy of the invoice** and provide the **information written on the product nameplate**. Stelpro reserves the right to examine or to ask one of its representatives to examine the product itself or any part of it before honoring the warranty. Stelpro reserves the right to replace the entire unit, refund its purchase price or repair a defective part. Please note that repairs made within the warranty period must be authorized in advance in writing by Stelpro and carried out by persons authorized by Stelpro.

Before returning a product to Stelpro, you must have a Stelpro authorization number (RMA). To obtain it, call the customer service department at: **1-800-363-3414** (electricians and distributors - French), **1-800-343-1022** (electricians and distributors - English), or **1-866-766-6020** (consumers). The authorization number must be clearly written on the parcel or it will be refused.

**CONDITIONS, EXCLUSIONS AND DISCLAIMER OF LIABILITY**

This warranty is exclusive and in lieu of all other representations and warranties (except of title), expressed or implied, and Stelpro expressly disclaims and excludes any implied warranty of merchantability or implied warranty of fitness for a particular purpose.

Stelpro's liability with respect to products is limited as provided above. Stelpro shall not be subject to any other obligations or liabilities whatsoever, whether based on contract, tort or other theories of law, with respect to goods or services furnished by it, or any undertakings, acts or omissions relating thereto. Without limiting the generality of the foregoing, Stelpro expressly disclaims any liability for property or personal injury damages, penalties, special or punitive damages, damages for lost profits, loss of use of equipment, cost of capital, cost of substitute products, facilities or services, shutdowns, slowdowns, or for other types of economic loss or for claims of a dealer's customers or any third party for such damages. Stelpro specifically disclaims all consequential, incidental and contingent damages whatsoever.

This warranty does not cover any damages or failures resulting from: 1) a faulty installation or improper storage; 2) an abusive or abnormal use, lack of maintenance, improper maintenance (other than that prescribed by Stelpro) or a use other than that for which the unit was designed; 3) a natural disaster or an event out of Stelpro's control, including, but not limited to, hurricanes, tornadoes, earthquakes, terrorist attacks, wars, overvoltage, flooding, water damages, etc. This warranty does not cover any accidental or intentional losses or damages, nor does it cover damages caused by negligence of the user or owner of the product. Moreover, it does not cover the cost of disconnection, transport, and installation.

The warranty is limited to the repair or the replacement of the unit or the refund of its purchase price, **at the discretion of Stelpro**. Any parts replaced or repaired within the warranty period with the written authorization of Stelpro will be warranted for the remainder of the original warranty period. This warranty will be considered null and void and Stelpro will have the right to refuse any claims if **products have been altered** without the written authorization of Stelpro and if the nameplate numbers have been removed or modified. This warranty does not cover scratches, dents, corrosion or discoloration caused by excessive heat, chemical cleaning products and abrasive agents. It does not cover any damage that occurred during the shipping.

Some states and provinces do not allow the exclusion or limitation of incidental or consequential damages and some of them do not allow limitations on how long an implied warranty lasts, so these exclusions or limitations may not apply to you. This warranty gives you specific legal rights and you may have other rights which vary from state to state or from province to province.