

# RELAY INSTALLATION

## RE153 - RE156 SERIES

### JUNCTION BOX INSTALLATION AND WIRING - LEFT SIDE ONLY

#### WARNING

Before installing and operating this product, the user and/or installer must read, understand and follow these instructions and keep them handy for future reference. If these instructions are not followed, the warranty will be considered null and void and the manufacturer deems no further responsibility for this product. The following instructions must be adhered to in order to avoid personal and serious injuries, property damages and potentially fatal electric shocks. Switch off the power at the circuit breaker/fuse before installing, repairing and cleaning the unit. Make sure the unit is appropriate for the intended use (if needed, refer to the product catalog or a representative).

1. Remove the front cover of the unit.
2. Remove the plastic protectors from both sides of the voltage separator supplied. FIG. 1
3. Position the relay on the top of the separator in the junction box (with the arrow pointing towards the top of the box) and install with screws in the upper left corner of the junction box. FIG. 2
4. Pass the blue wires of the relay through the hole of the separator. FIG. 3
5. Insert the control wires supplied by the installer into the unit's electrical box through one of the knockouts (KOE). Then, insert the same wires into the voltage separator hole. Connect the low voltage wires with the relay wires mentioned in paragraph 4, using an appropriate wire nut. For the connections, refer to the diagram included with the relay. FIG. 4
6. Connect the wire coming from the heating element to a black wire of the relay using a wire nut. FIG. 4
7. Connect the second black wire of the relay to a line feed (L1) using a wire nut. Connect the wire coming from the wireway to the second line feed wire (L2/N).
8. Close the junction box and replace the cover, making sure the wires are well positioned.

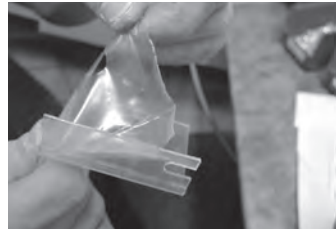


FIG. 1

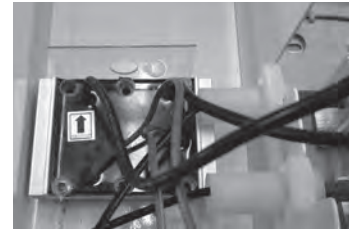


FIG. 2

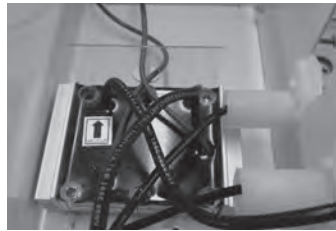
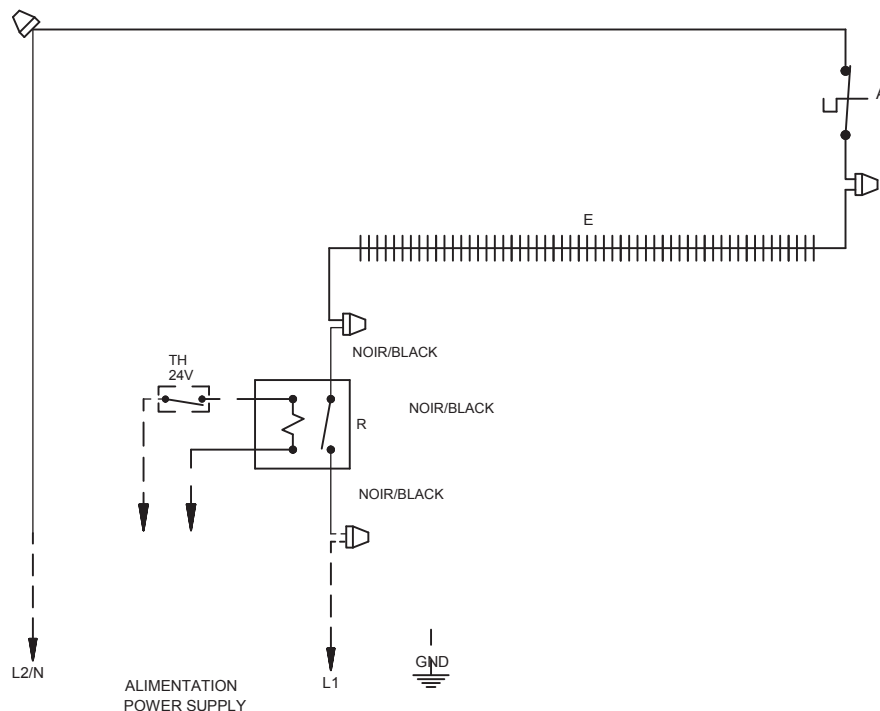


FIG. 3



FIG. 4



# RELAY INSTALLATION

## RE153 - RE156 SERIES

### JUNCTION BOX INSTALLATION AND WIRING - RIGHT SIDE ONLY

#### WARNING

Before installing and operating this product, the user and/or installer must read, understand and follow these instructions and keep them handy for future reference. If these instructions are not followed, the warranty will be considered null and void and the manufacturer deems no further responsibility for this product. The following instructions must be adhered to in order to avoid personal and serious injuries, property damages and potentially fatal electric shocks. Switch off the power at the circuit breaker/fuse before installing, repairing and cleaning the unit. Make sure the unit is appropriate for the intended use (if needed, refer to the product catalog or a representative).

1. Remove the front cover of the unit.
2. Remove the plastic protectors from both sides of the voltage separator supplied. FIG. 1
3. Position the relay on the top of the separator in the junction box (with the arrow pointing towards the top of the box) and install with screws in the upper right corner of the junction box. FIG. 2
4. Pass the blue wires of the relay through the hole of the separator. FIG. 3
5. Insert the control wires supplied by the installer into the unit's electrical box through one of the knockouts (KOE). Then, insert the same wires into the voltage separator hole. Connect the low voltage wires with the relay wires mentioned in paragraph 4, using an appropriate wire nut. For the connections, refer to the diagram included with the relay. FIG. 4
6. Connect the wire coming from the thermal protection to a black wire of the relay using with a wire nut. FIG. 4
7. Connect the second black wire of the relay to a line feed (L1) using a wire nut. Connect the wire coming from the wireway to the second line feed wire (L2/N).
8. Close the junction box and replace the cover, making sure the wires are well positioned.

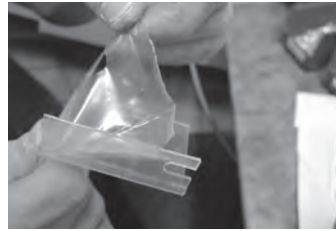


FIG. 1



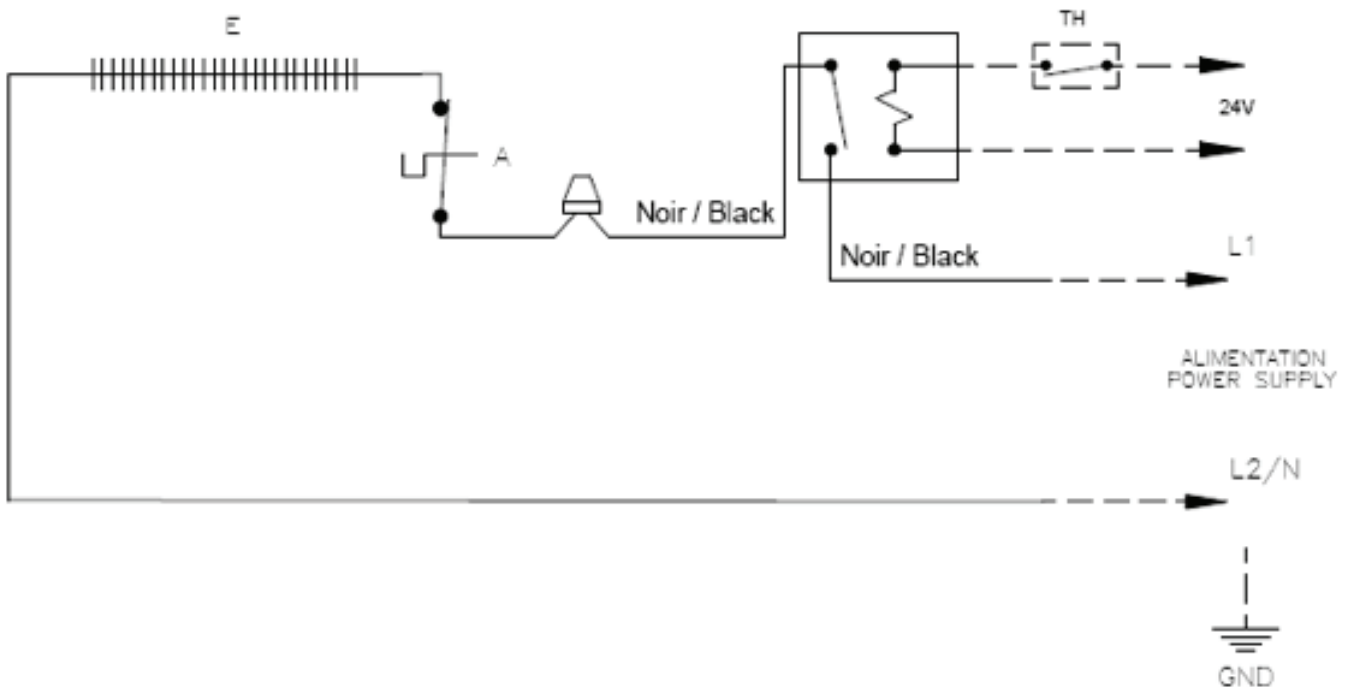
FIG. 2



FIG. 3



FIG. 4



# RELAY INSTALLATION

## RE153T SERIES

### JUNCTION BOX INSTALLATION AND WIRING - LEFT SIDE ONLY

#### WARNING

Before installing and operating this product, the user and/or installer must read, understand and follow these instructions and keep them handy for future reference. If these instructions are not followed, the warranty will be considered null and void and the manufacturer deems no further responsibility for this product. The following instructions must be adhered to in order to avoid personal and serious injuries, property damages and potentially fatal electric shocks. Switch off the power at the circuit breaker/fuse before installing, repairing and cleaning the unit. Make sure the unit is appropriate for the intended use (if needed, refer to the product catalog or a representative).

1. Remove the front cover of the unit.
2. Remove the plastic protectors from both sides of the voltage separator supplied. FIG. 1
3. Position the relay on the top of the separator in the junction box (with the arrow pointing towards the top of the box) and install with screws in the upper left corner of the junction box. FIG. 2
4. Insert the black, red and white relay wires (control side) into the hole of the voltage separator. FIG. 3
5. Insert the control wires supplied by the installer into the unit's electrical box through one of the knockouts (KOE). Then, insert the same wires into the voltage separator hole. Connect the low voltage wires with the relay wires using a wire nut. Refer to the diagram included with the relay for the different options.
6. Connect the blue relay wire with the wire that comes from the heating element by using an appropriate wire nut. FIG. 4
7. Connect the white relay wire (power side) to the wire coming out the wireway and a line feed wire (L2/N) by using an appropriate wire nut. FIG. 5
8. Screw a wire nut on the black 24V relay wire.
9. Connect the black relay wire (power side) to the other wire coming from the line feed (L1) by using an appropriate wire nut.
10. Close the junction box and replace the cover, making sure the wires are positioned properly.

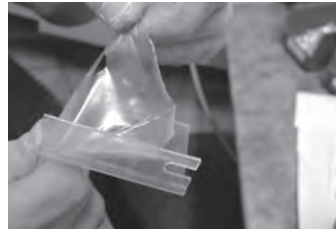


FIG. 1

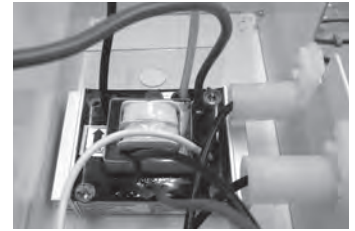


FIG. 2



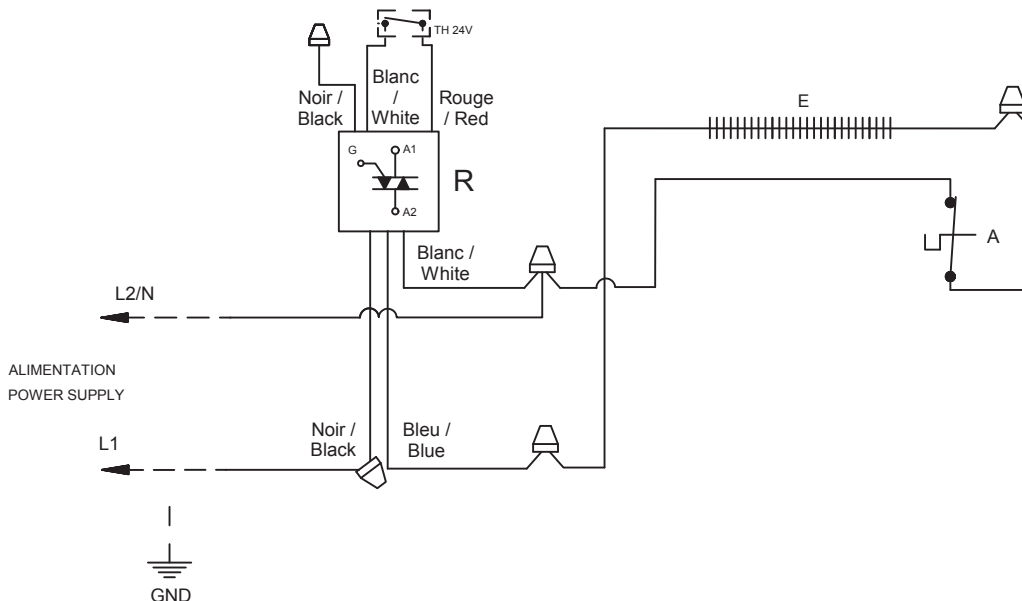
FIG. 3



FIG. 4



FIG. 5



# RELAY INSTALLATION

## RE153T SERIES

### JUNCTION BOX INSTALLATION AND WIRING - RIGHT SIDE ONLY

#### WARNING

Before installing and operating this product, the user and/or installer must read, understand and follow these instructions and keep them handy for future reference. If these instructions are not followed, the warranty will be considered null and void and the manufacturer deems no further responsibility for this product. The following instructions must be adhered to in order to avoid personal and serious injuries, property damages and potentially fatal electric shocks. Switch off the power at the circuit breaker/fuse before installing, repairing and cleaning the unit. Make sure the unit is appropriate for the intended use (if needed, refer to the product catalog or a representative).

1. Remove the front cover of the unit.
2. Remove the plastic protectors from both sides of the voltage separator supplied. FIG. 1
3. Position the relay on top of the separator (with the arrow pointing towards the top of the box) and install with screws in the upper right corner of the junction box. FIG. 2
4. Insert the black, red and white relay wires (control side) into the hole of the plastic separator. FIG. 3
5. Insert the control wires supplied by the installer into the unit's electrical box through one of the knock outs (KOE). Then, insert the same wires into the voltage separator hole. Connect the low voltage wires with the relay wires using a wire nut. Refer to the diagram included with the relay for the different options.
6. Connect the blue relay wire with the wire that comes out of the wireway (at the top of the unit) by using an appropriate wire nut. FIG. 4
7. Connect the white relay wire (power side) to the thermal protection wire and a line feed (L2/N) wire by using an appropriate wire nut. FIG. 5
8. Screw a wire nut on the black 24V relay wire.
9. Connect the black relay wire (power side) to the other wire coming from the line feed (L1) by using an appropriate wire nut.
10. Close the junction box and replace the cover, making sure the wires are well positioned.

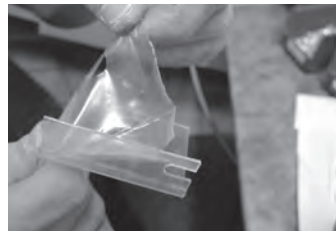


FIG. 1



FIG. 2



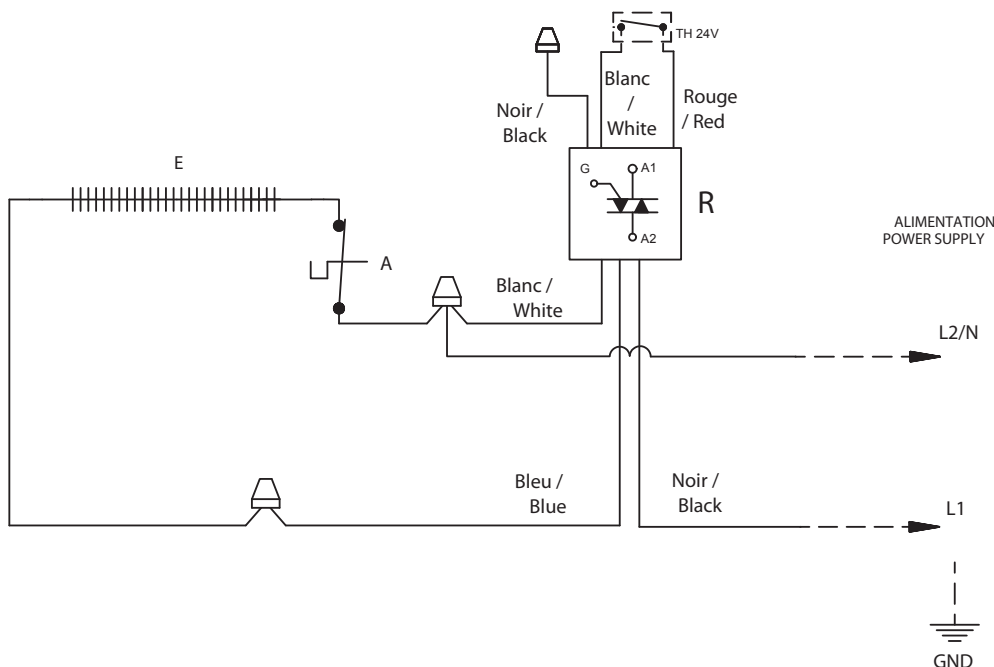
FIG. 3



FIG. 4



FIG. 5



**WARNING**

Before installing and operating this product, the user and/or installer must read, understand and follow these instructions and keep them handy for future reference. If these instructions are not followed, the warranty will be considered null and void and the manufacturer deems no further responsibility for this product. The following instructions must be adhered to in order to avoid personal and serious injuries, property damages and potentially fatal electric shocks. Switch off the power at the circuit breaker/fuse before installing, repairing and cleaning the unit. Make sure the unit is appropriate for the intended use (if needed, refer to the product catalog or a representative).

1. Remove the front cover of the unit.
2. Insert the voltage separator on the relay and screw with the ring nut supplied. FIG. 1
3. Position the relay in the top of the junction box and install with screws. FIG. 2
4. Connect the black relay wire (power side) to the wire coming from the line feed (L2/N) by using an appropriate wire nut. FIG. 3
5. Connect the blue/orange wire of the relay to the wire coming out the wireway and the other line feed wire(L1). FIG. 3
6. Connect the red wire of the relay (Power side) to the wire of the heating element by using an appropriate wire nut. FIG. 4
7. Insert the control wires supplied by the installer into the unit's electrical box through one of the knockouts (KOE). Connect the low voltage wires with the relay wires, using a wire nut. Please refer to schematic for connection options.
8. Close the junction box and replace the cover, making sure the wires are well placed inside the box.

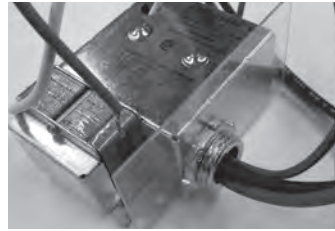


FIG. 1



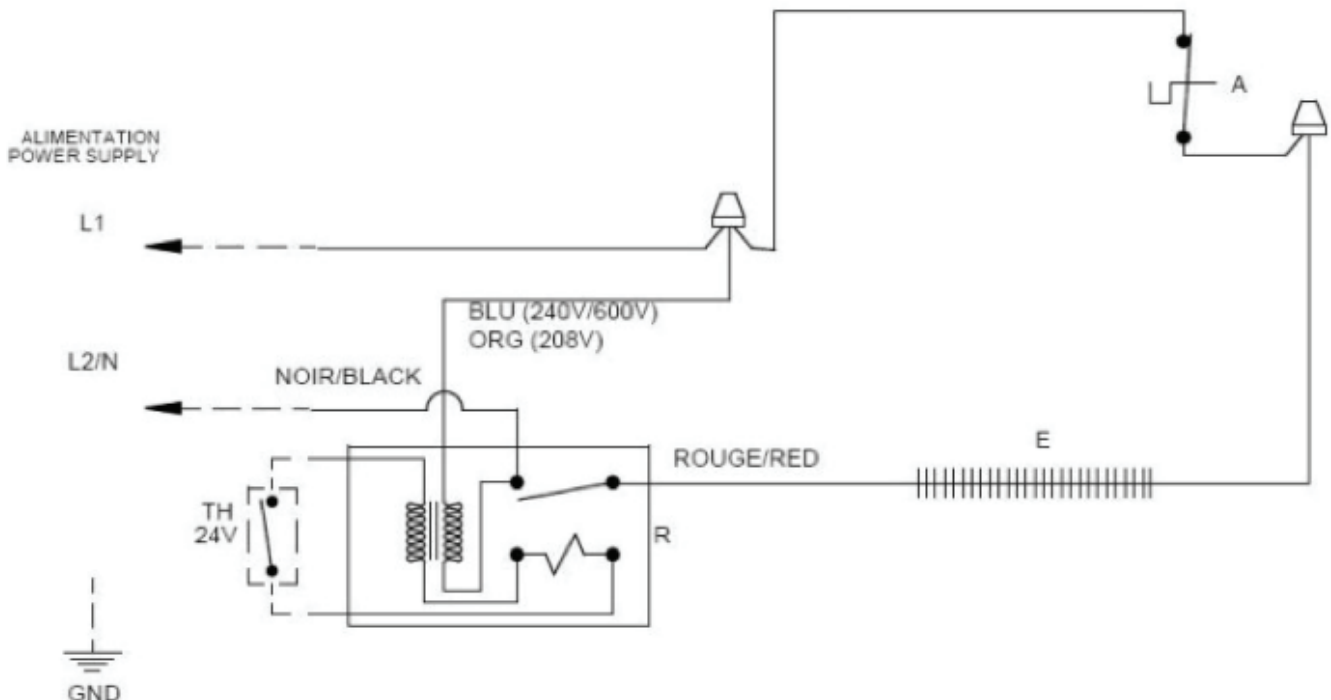
FIG. 2



FIG. 3



FIG. 4





**WARNING**

Before installing and operating this product, the user and/or installer must read, understand and follow these instructions and keep them handy for future reference. If these instructions are not followed, the warranty will be considered null and void and the manufacturer deems no further responsibility for this product. The following instructions must be adhered to in order to avoid personal and serious injuries, property damages and potentially fatal electric shocks. Switch off the power at the circuit breaker/fuse before installing, repairing and cleaning the unit. Make sure the unit is appropriate for the intended use (if needed, refer to the product catalog or a representative).

1. Remove the front cover of the unit.
2. Insert the voltage separator on the relay and screw with the ring nut supplied. FIG. 1
3. Position the relay in the top of the junction box and install with screws. FIG. 2
4. Connect the black relay wire (power side) to the other wire coming from the line feed (L2/N) by using an appropriate wire nut.
5. Connect the blue/orange wire of the relay to the wire of the thermal protection and the other line feed wire(L1). FIG. 3
6. Connect the red wire of the relay (Power side) to the wire coming out the wireway by using an appropriate wire nut. FIG. 4
7. Insert the control wires supplied by the installer into the unit's electrical box through one of the knockouts (KOE). Connect the low voltage wires with the relay wires, using a wire nut. Please refer to schematic for connection options.
8. Close the junction box and replace the cover, making sure the wires are well placed inside the box.

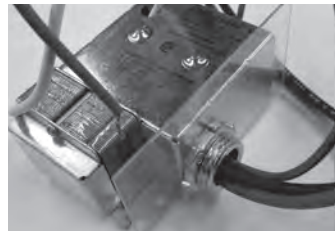


FIG. 1



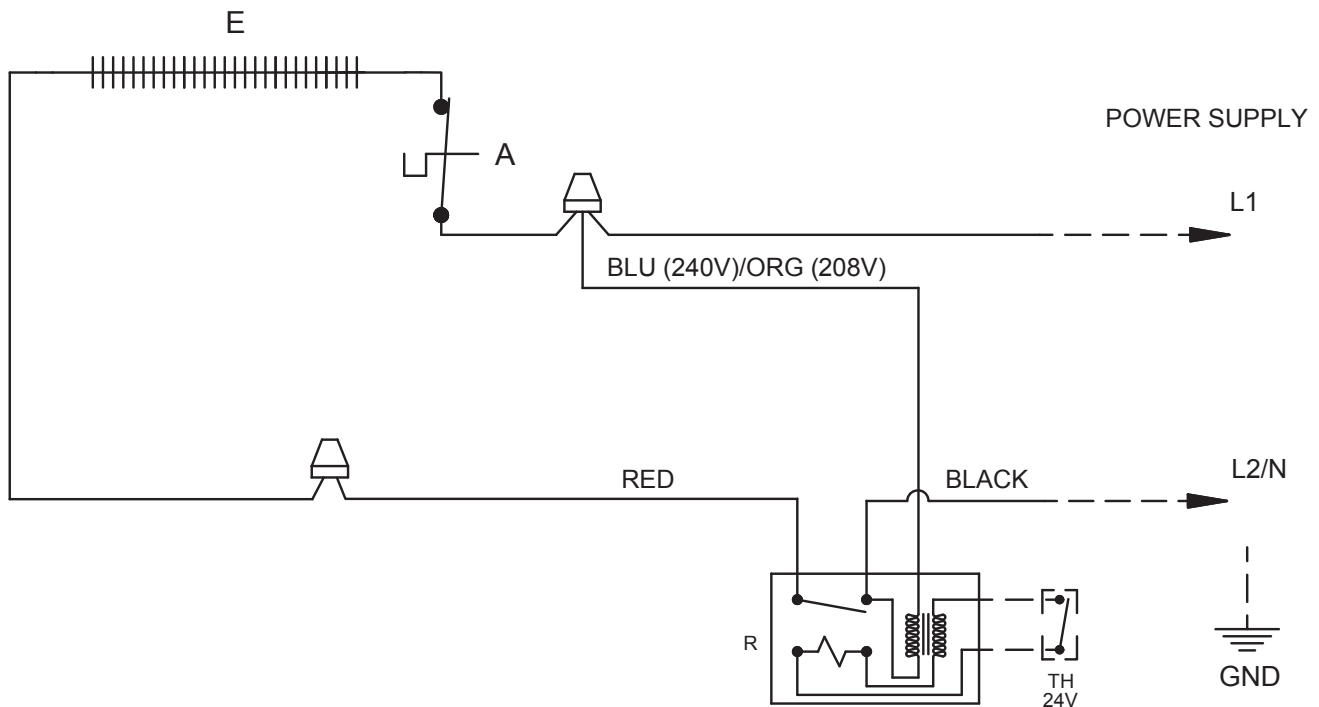
FIG. 2



FIG. 3



FIG. 4



**WARNING**

Before installing and operating this product, the user and/or installer must read, understand and follow these instructions and keep them handy for future reference. If these instructions are not followed, the warranty will be considered null and void and the manufacturer deems no further responsibility for this product. The following instructions must be adhered to in order to avoid personal and serious injuries, property damages and potentially fatal electric shocks. Switch off the power at the circuit breaker/fuse before installing, repairing and cleaning the unit. Make sure the unit is appropriate for the intended use (if needed, refer to the product catalog or a representative).

1. Remove the front cover of the unit.
2. Insert the voltage separator on the relay and screw with the ring nut supplied. FIG. 1
3. Position the relay in the top of the junction box and install with screws in the upper left corner of the junction box. FIG. 2
4. Connect the red wire of the relay (power side) to the heating element wire. FIG. 3
5. Connect the black wire of the relay (power side) with the line feed (L2/N). Connect the wire coming out of the wireway with (L1). Use the appropriate wire nuts.
6. Insert the control wires supplied by the installer into the unit's electrical box through one of the knockouts (KOE). Connect the low voltage wires with the relay wires using a wire nut. Refer to the diagram included with the relay for the different options.
7. Close the junction box and replace the cover, making sure the wires are positioned properly.



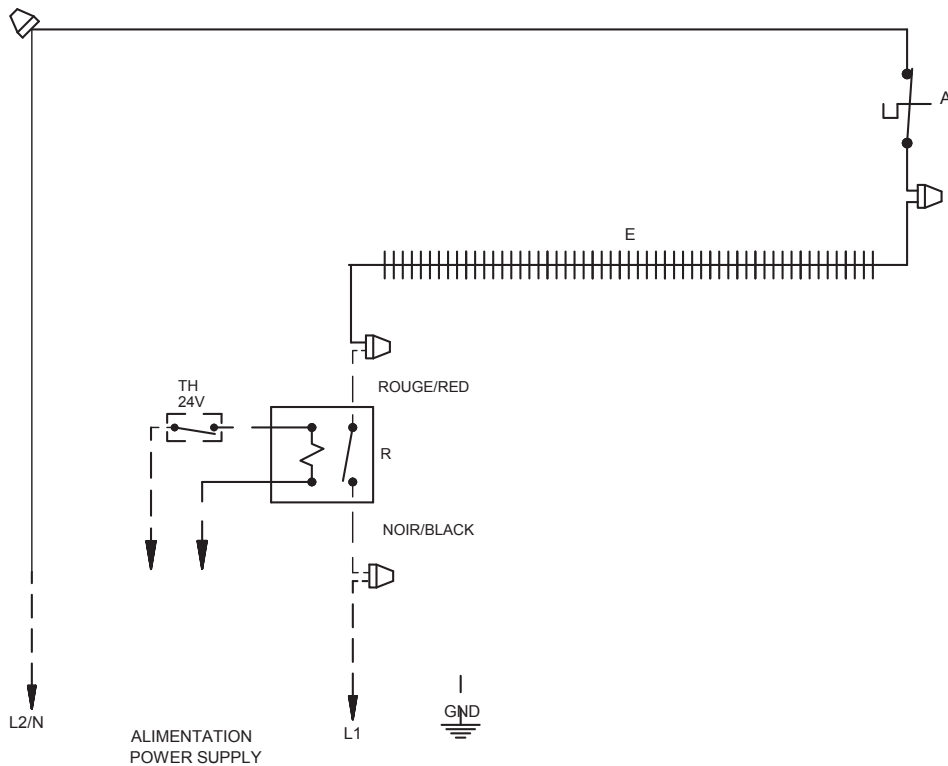
FIG. 1



FIG. 2



FIG. 3



**WARNING**

Before installing and operating this product, the user and/or installer must read, understand and follow these instructions and keep them handy for future reference. If these instructions are not followed, the warranty will be considered null and void and the manufacturer deems no further responsibility for this product. The following instructions must be adhered to in order to avoid personal and serious injuries, property damages and potentially fatal electric shocks. Switch off the power at the circuit breaker/fuse before installing, repairing and cleaning the unit. Make sure the unit is appropriate for the intended use (if needed, refer to the product catalog or a representative).

1. Remove the front cover of the unit.
2. Insert the voltage separator on the relay and screw with the ring nut supplied. FIG. 1
3. Position the relay in the top of the junction box and install with screws in the upper right corner of the junction box. FIG. 2
4. Connect the red wire of the relay (power side) to the wire coming out the wireway by using an appropriate wire nut. FIG. 3
5. Connect the black wire of the relay (power side) to the line feed (L2/N) FIG. 4. Connect the thermal protection wire to the line feed (L1).
6. Insert the control wires supplied by the installer into the unit's electrical box through one of the knockouts (KOE). Connect the low voltage wires with the relay wires using a wire nut. Refer to the diagram included with the relay for the different options.
7. Close the junction box and replace the cover, making sure the wires are positioned properly.

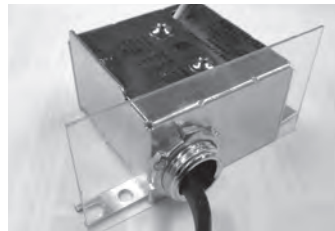


FIG. 1



FIG. 2



FIG. 3



FIG. 4

