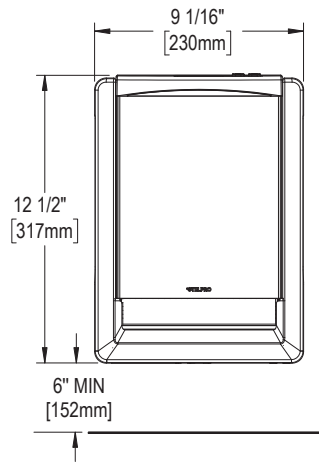
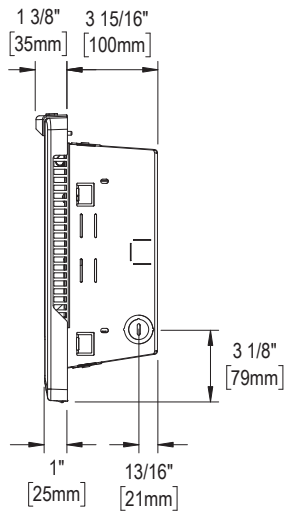


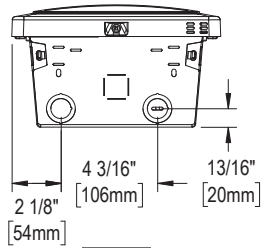
# TECHNICAL DRAWINGS



FRONT



SIDE



BOTTOM