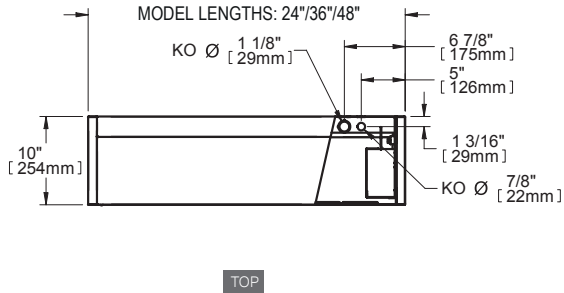
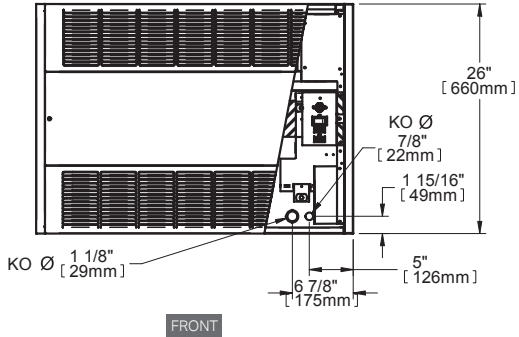
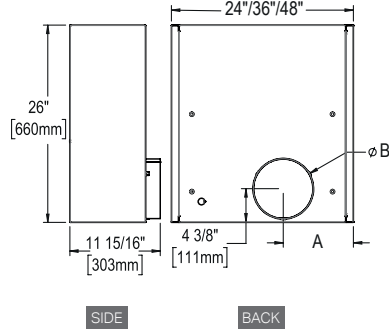


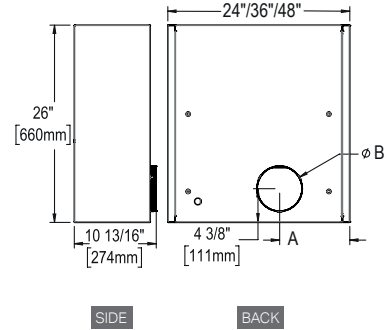
# TECHNICAL DRAWINGS



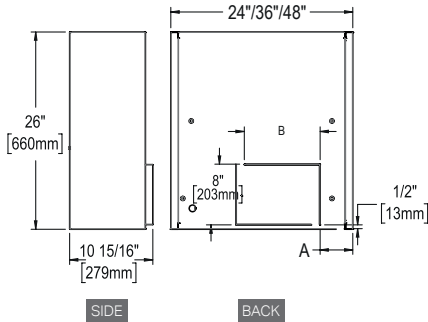
ACBHRXX



ACBHRXXM



ACBHSXX



OPTION	A	B
CODE	IN.	IN.
ACBHR24	9 1/4	4 to 8
ACBHR36	9 3/4	4 to 8
ACBHR48	9 3/4	4 to 8
ACBHR24M	9 1/4	4 to 6
ACBHR36M	9 3/4	4 to 6
ACBHR48M	9 3/4	4 to 6
ACBHS24	4 5/16	10
ACBHS36	4 7/8	21
ACBHS48	4 7/8	31 3/4