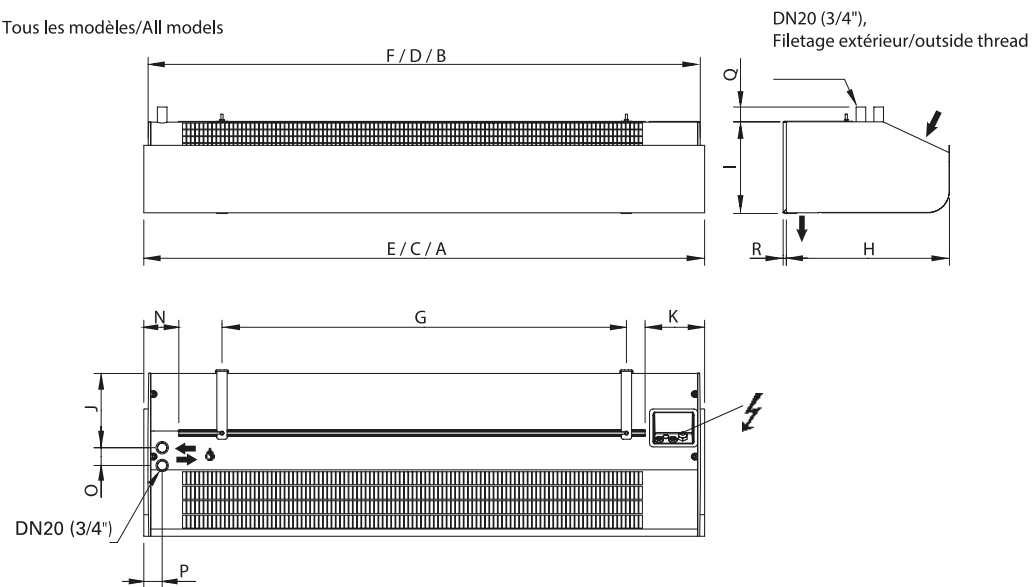
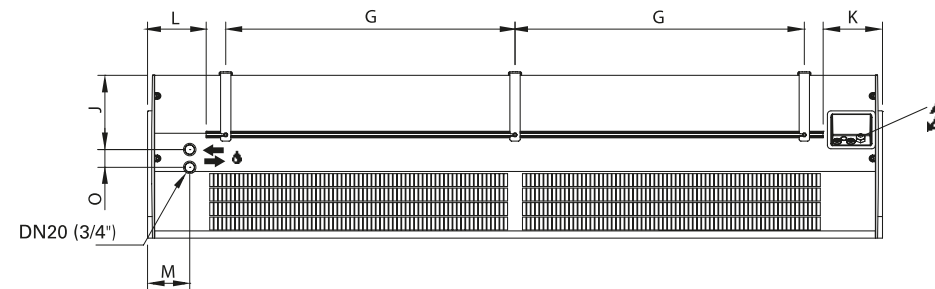


Tous les modèles/All models

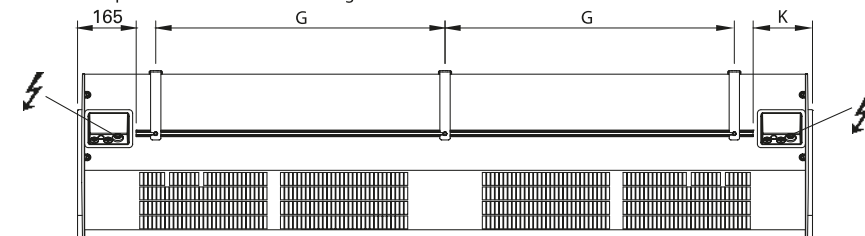


2 m / 6.6 ft units

Unité sans chauffage/Unit without heating or with water heating



Unité chauffant électrique/Unit with electrical heating



	[mm]	[in/po]	Type
A	2068	81.40	PAEC3220Cx
B	2045	80.50	PAEC3220Cx
C	1578	62.10	PAEC3215Cx
D	1555	61.20	PAEC3215Cx
E	1068	42.00	PAEC3210Cx
F	1045	41.10	PAEC3210Cx
G	500	19.68	
H	458	18.00	
I	256	10.00	

	[mm]	[in/po]
J	209	8.22
K	167	6.57
L	165	6.49
M	119	4.68
N	99	3.89
O	50	1.96
P	52	2.00
Q	42	1.65
R	10	0.39