

ACW750-ACW1000

ARCHITECTURAL CABINET



ELEGANCE MEETS POWER

The ACW series is a range of high-powered units designed for use in places that require ample heat as well as quiet operation, such as classrooms and museums. When the unit is surface mounted, air enters through the front of the device and exits from the top, ensuring efficient heat dispersion. When the unit is recessed, air enters and exits through the front of the unit instead.

- **INCREDIBLE HEAT DENSITY**
- **ATTRACTIVE EXTRUDED ALUMINUM GRILLE**
- **PERFECT FOR PUBLIC PLACES**
COMMERCIAL SPACES, PUBLIC INSTITUTIONS, ETC.
- **CAN BE RECESSED**

COLORS

- **standard:** white, soft white
- **Orora (optional):** refer to www.stelpro.com/en-US/Orora

FINISH

- epoxy-polyester powdercoat

MANUFACTURING

- 18-gauge steel cabinet, 16-gauge steel front panel and extruded aluminum grilles with a thickness equivalent to 13 gauge
- front air intake and top air discharge (front inlet and front outlet available*)
- thermal protection with automatic reset
- full-length wireway

ELEMENTS

- three elements (CW750)
- four elements (CW1000)
- tubular elements, stainless steel sheathed with boxed aluminum fins for improved heat dissipation; the elements are securely fastened at their centres, floating in nylon sleeves at each end, eliminating expansion and contraction noises

CONTROL

- wall thermostat (not included) – the use of an electronic thermostat is strongly recommended
- built-in tamper-proof thermostat accessible without removing front grille, installed in the left or right junction box (optional)
- low voltage relay kit installed in the left or right junction box (optional)

INSTALLATION

- surface mounted or wall recessed* with four-piece trim frame (optional)
- wall or floor mounted with or without pedestal kit (optional)
- wiring compartments at both ends of unit

WARRANTY

- three years

* CW750: Front inlet and front outlet [FF] version is available only in 450-W and 600-W densities per linear foot (see the technical specifications table).

* CW1000: Front inlet and front outlet [FF] version is available only in 600-W and 900-W densities per linear foot (see the technical specifications table).



CW750: This unit is intended for commercial use. Models with a density greater than 450 W/ft. can become very hot.

CW1000: This unit is intended for commercial use. Models with a density greater than 600 W/ft. can become very hot.

IDEAL FOR:

shopping mall, hospital, lobby, corridor

°STELPRO

Stelpro reserves the right to modify descriptions, manufacturing specifications or prices without prior notice. **No returns accepted on optional-color products.** For all the latest models and prices, please refer to our website at www.stelpro.com.



TECHNICAL SPECIFICATIONS

CW750											
DENSITY OF 750 W PER LINEAR FOOT			DENSITY OF 600 W PER LINEAR FOOT			DENSITY OF 450 W PER LINEAR FOOT			VOLTAGE	LENGTH	WEIGHT
CODE	WATTS	BTU/H	CODE	WATTS	BTU/H	CODE	WATTS	BTU/H	VOLTS	IN.	LB
---	1500	5119	ACW7506128*	1200	4095	ACW7506098*	900	3071	208	23 5/8	28
---	1500	5119	ACW7506122	1200	4095	ACW7506092	900	3071	240	23 5/8	28
---	1500	5119	ACW7506127	1200	4095	ACW7506097	900	3071	277	23 5/8	28
---	1500	5119	ACW7506125	1200	4095	ACW7506095	900	3071	480	23 5/8	28
---	2250	7679	ACW7509188*	1800	6143	ACW7509138*	1350	4607	208	35 7/16	39
---	2250	7679	ACW7509182	1800	6143	ACW7509132	1350	4607	240	35 7/16	39
---	2250	7679	ACW7509187	1800	6143	ACW7509137	1350	4607	277	35 7/16	39
---	2250	7679	ACW7509185	1800	6143	ACW7509135	1350	4607	480	35 7/16	39
---	3000	10238	ACW75012248*	2400	8190	ACW75012188*	1800	6143	208	47 1/4	53
---	3000	10238	ACW75012242	2400	8190	ACW75012182	1800	6143	240	47 1/4	53
---	3000	10238	ACW75012247	2400	8190	ACW75012187	1800	6143	277	47 1/4	53
---	3000	10238	ACW75012245*	2400	8190	ACW75012185	1800	6143	480	47 1/4	53
ACW75015378*	3750	12798	ACW75015308*	3000	10238	ACW75015228*	2250	7679	208	59 1/16	64
ACW75015372	3750	12798	ACW75015302	3000	10238	ACW75015222	2250	7679	240	59 1/16	64
ACW75015377	3750	12798	ACW75015307	3000	10238	ACW75015227	2250	7679	277	59 1/16	64
ACW75015375*	3750	12798	ACW75015305*	3000	10238	ACW75015225*	2250	7679	480	59 1/16	64
ACW75018458*	4500	15357	ACW75018368*	3600	12286	ACW75018278*	2700	9214	208	70 7/8	74
ACW75018452	4500	15357	ACW75018362	3600	12286	ACW75018272	2700	9214	240	70 7/8	74
ACW75018457	4500	15357	ACW75018367	3600	12286	ACW75018277	2700	9214	277	70 7/8	74
ACW75018455*	4500	15357	ACW75018365*	3600	12286	ACW75018275*	2700	9214	480	70 7/8	74
ACW75021528*	5250	17917	ACW75021428*	4200	14333	ACW75021318*	3150	10750	208	82 11/16	85
ACW75021522	5250	17917	ACW75021422	4200	14333	ACW75021312	3150	10750	240	82 11/16	85
ACW75021527	5250	17917	ACW75021427	4200	14333	ACW75021317	3150	10750	277	82 11/16	85
ACW75021525*	5250	17917	ACW75021425*	4200	14333	ACW75021315*	3150	10750	480	82 11/16	85
ACW75024608*	6000	20476	ACW75024488*	4800	16381	ACW75024368*	3600	12286	208	94 1/2	96
ACW75024602	6000	20476	ACW75024482	4800	16381	ACW75024362	3600	12286	240	94 1/2	96
ACW75024607	6000	20476	ACW75024487	4800	16381	ACW75024367	3600	12286	277	94 1/2	96
ACW75024605*	6000	20476	ACW75024485*	4800	16381	ACW75024365*	3600	12286	480	94 1/2	96
CW1000											
DENSITY OF 1000 W PER LINEAR FOOT			DENSITY OF 800 W PER LINEAR FOOT			DENSITY OF 600 W PER LINEAR FOOT			VOLTAGE	LENGTH	WEIGHT
CODE	WATTS	BTU/H	CODE	WATTS	BTU/H	CODE	WATTS	BTU/H	VOLTS	IN.	LB
---	2000	6825	---	1600	5460	ACW10006128	1200	4095	208	23 5/8	35
---	2000	6825	---	1600	5460	ACW10006122	1200	4095	240	23 5/8	35
---	2000	6825	---	1600	5460	ACW10006127	1200	4095	277	23 5/8	35
---	2000	6825	---	1600	5460	ACW10006125	1200	4095	480	23 5/8	35
ACW10009308	3000	10238	ACW10009248	2400	8190	ACW10009188	1800	6143	208	35 7/16	53
ACW10009302	3000	10238	ACW10009242	2400	8190	ACW10009182	1800	6143	240	35 7/16	53
ACW10009307	3000	10238	ACW10009247	2400	8190	ACW10009187	1800	6143	277	35 7/16	53
ACW10009305	3000	10238	ACW10009245	2400	8190	ACW10009185	1800	6143	480	35 7/16	53
ACW100012408	4000	13651	ACW100012328	3200	10921	ACW100012248	2400	8190	208	47 1/4	69
ACW100012402	4000	13651	ACW100012322	3200	10921	ACW100012242	2400	8190	240	47 1/4	69
ACW100012407	4000	13651	ACW100012327	3200	10921	ACW100012247	2400	8190	277	47 1/4	69
ACW100012405	4000	13651	ACW100012325	3200	10921	ACW100012245	2400	8190	480	47 1/4	69
ACW100015508	5000	17064	ACW100015408	4000	13651	ACW100015308	3000	10238	208	59 1/16	84
ACW100015502	5000	17064	ACW100015402	4000	13651	ACW100015302	3000	10238	240	59 1/16	84
ACW100015507	5000	17064	ACW100015407	4000	13651	ACW100015307	3000	10238	277	59 1/16	84
ACW100015505	5000	17064	ACW100015405	4000	13651	ACW100015305	3000	10238	480	59 1/16	84
ACW100018608	6000	20476	ACW100018488	4800	16381	ACW100018368	3600	12286	208	70 7/8	98
ACW100018602	6000	20476	ACW100018482	4800	16381	ACW100018362	3600	12286	240	70 7/8	98
ACW100018607	6000	20476	ACW100018487	4800	16381	ACW100018367	3600	12286	277	70 7/8	98
ACW100018605	6000	20476	ACW100018485	4800	16381	ACW100018365	3600	12286	480	70 7/8	98

Add W for white or SW for soft white (consult the optional colours chart or contact your Stelpro representative for all other colours).

Add FF for front air outlet.

CW750 models : available only in 450 W and 600 W densities per linear foot.

CW1000 model : available only in 600 W and 800 W densities per linear foot.

* Add 3 (before the colour code) for three-phase model (available upon request).

Models also available in 277 V and 480 V.

--- not available

ACCESSORIES

PRODUCT	PRODUCT	DESCRIPTION
CW750T12*	CW1000T12*	built-in tamper-proof single pole thermostat
CW750T22*	CW1000T22*	built-in tamper-proof double pole thermostat
CW750T33*	---	built-in tamper-proof triple pole thermostat (3 ph)
CW750RE153*	CW1000RE153*	built-in electronic low voltage relay [15 A @ 120 V-347 V]
CW750RE156*	CW1000RE156*	built-in electronic low voltage relay [6 A @ 600 V]
CW750RE153T*	CW1000RE153T*	built-in electronic low voltage relay c/w transformer 24 V [15 A @ 208 V-347 V]
CW750RM240T*	CW1000RM240T*	built-in electromechanical relay c/w transformer 24 V [5000 W @ 208 V / 6000 W @ 240 V]
CW750RM347T*	CW1000RM347T*	built-in electromechanical relay c/w transformer 24 V [6000 W @ 347 V]
CW750RM347C*	CW1000RM347C*	built-in electromechanical relay w/o transformer 24 V [6000 W @ 120 V-347 V]
CW750R841C1151*	CW1000R841C1151*	built-in electromechanical relay c/w transformer 24 V [6000 W @ 600 V]
CW750R841D1036*	CW1000R841D1036*	built-in electromechanical relay w/o transformer 24 V [6000 W @ 600 V]
CW750DIS6001P*	CW1000DIS6001P*	disconnect switch [30 A @ 600 V] 2 poles
CW750DIS6003P*	CW1000DIS6003P*	disconnect switch [32 A @ 690 V] 3 poles
PK3*	PK3*	pedestal kit (kit of two)
CW750JS*	CW1000JS*	joiner strip (2 in.)
CW750TB*	CW1000TB*	4-piece trim frame
CW750CB**	CW1000CB**	clean back (fully finished, no mounting holes or knockouts)

Electronic relays can receive a PWM (pulsed width modulation) or digital (on/off) signal.

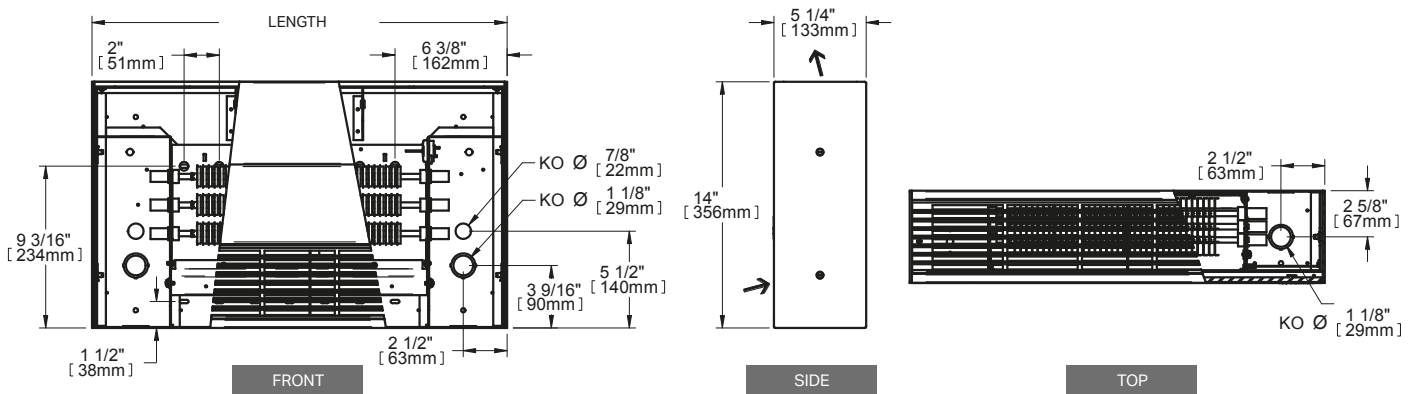
* Add W for white or SW for soft white.

** Factory installed. * Factory installation is strongly recommended.

--- Not available

TECHNICAL DRAWINGS

CW750



CW1000

