

# ACSW750, ACSW1000

## SLOPED ARCHITECTURAL CABINET



## ONE STEP CLOSER TO PERFECTION

The ACWS Architectural cabinet is a preferred unit for public institutions or any other commercial location requiring a large heating capacity. Its forward sloping top prevents people from depositing objects on it that could interfere with its efficiency. Finally, its sturdiness, including extruded aluminum grilles, and high performance have made its reputation. The ACWS is often the first choice for exhibition halls, conference centres, libraries and museums.

- **SLOPED TOP**  
KEEPS THE UNIT FROM BEING USED AS A SHELF OR BENCH
- **INCREDIBLE HEAT DENSITY**
- **ATTRACTIVE EXTRUDED ALUMINUM GRILLE**
- **PERFECT FOR PUBLIC PLACES**  
COMMERCIAL SPACES, PUBLIC INSTITUTIONS, ETC.



CWS750: This unit is intended for commercial use. Models with a density greater than 450 W/ft. can become very hot.

CWS1000: This unit is intended for commercial use. Models with a density greater than 600 W/ft. can become very hot.

#### IDEAL FOR:

shopping mall, hospital, lobby, corridor

#### COLORS

- **standard:** white
- **Orora (optional):** refer to [www.stelpro.com/en-US/Orora](http://www.stelpro.com/en-US/Orora)

#### FINISH

- epoxy-polyester powdercoat

#### MANUFACTURING

- 18-gauge steel cabinet, 16-gauge steel front panel and extruded aluminum grilles with a thickness equivalent to 13 gauge
- front air intake and top air discharge
- thermal protection with automatic reset
- full-length wireway

#### ELEMENTS

- three elements (CWS750)
- four elements (CWS1000)
- tubular elements, stainless steel sheathed with boxed aluminum fins for improved heat dissipation; the elements are securely fastened at their centres, floating in nylon sleeves at each end, eliminating expansion and contraction noises

#### CONTROL

- wall thermostat (not included) – the use of an electronic thermostat is strongly recommended
- built-in tamper-proof thermostat accessible without removing front grille, installed in the left or right junction box (optional)
- low voltage relay kit installed in the left or right junction box (optional)

#### INSTALLATION

- surface mounted
- wall or floor mounted with or without pedestal kit (optional)
- wiring compartments at both ends of unit

#### WARRANTY

- three years

# °STELPRO

Stelpro reserves the right to modify at any time the description, manufacturing, or price of its products. Additionally, Stelpro may apply restocking fees or refuse a refund based on one or more of the following criteria: optional color, custom product, assembly with low-demand options. For the latest product information and prices regarding the products, please visit the website [www.stelpro.com](http://www.stelpro.com).



# TECHNICAL SPECIFICATIONS

CWS750											
DENSITY OF 750 W PER LINEAR FOOT			DENSITY OF 600 W PER LINEAR FOOT			DENSITY OF 450 W PER LINEAR FOOT			VOLTAGE	LENGTH	WEIGHT
CODE	WATTS	BTU/H	CODE	WATTS	BTU/H	CODE	WATTS	BTU/H	VOLTS	IN.	LB
---	1500	5119	ACWS7506128W*	1200	4095	ACWS7506098W*	900	3071	208	23 5/8	28
---	1500	5119	ACWS7506122W	1200	4095	ACWS7506092W	900	3071	240	23 5/8	28
---	1500	5119	ACWS7506127W	1200	4095	ACWS7506097W	900	3071	277	23 5/8	28
---	1500	5119	ACWS7506125W	1200	4095	ACWS7506095W	900	3071	480	23 5/8	28
---	2250	7679	ACWS7509188W*	1800	6143	ACWS7509138W*	1350	4607	208	35 7/16	39
---	2250	7679	ACWS7509182W	1800	6143	ACWS7509132W	1350	4607	240	35 7/16	39
---	2250	7679	ACWS7509187W	1800	6143	ACWS7509137W	1350	4607	277	35 7/16	39
---	2250	7679	ACWS7509185W	1800	6143	ACWS7509135W	1350	4607	480	35 7/16	39
---	3000	10238	ACWS75012248W*	2400	8190	ACWS75012188W*	1800	6143	208	47 1/4	53
---	3000	10238	ACWS75012242W	2400	8190	ACWS75012182W	1800	6143	240	47 1/4	53
---	3000	10238	ACWS75012247W	2400	8190	ACWS75012187W	1800	6143	277	47 1/4	53
---	3000	10238	ACWS75012245W*	2400	8190	ACWS75012185W	1800	6143	480	47 1/4	53
ACWS75015378W*	3750	12798	ACWS75015308W*	3000	10238	ACWS75015228W*	2250	7679	208	59 1/16	64
ACWS75015372W	3750	12798	ACWS75015302W	3000	10238	ACWS75015222W	2250	7679	240	59 1/16	64
ACWS75015377W	3750	12798	ACWS75015307W	3000	10238	ACWS75015227W	2250	7679	277	59 1/16	64
ACWS75015375W*	3750	12798	ACWS75015305W*	3000	10238	ACWS75015225W*	2250	7679	480	59 1/16	64
ACWS75018458W*	4500	15357	ACWS75018368W*	3600	12286	ACWS75018278W*	2700	9214	208	70 7/8	74
ACWS75018452W	4500	15357	ACWS75018362W	3600	12286	ACWS75018272W	2700	9214	240	70 7/8	74
ACWS75018457W	4500	15357	ACWS75018367W	3600	12286	ACWS75018277W	2700	9214	277	70 7/8	74
ACWS75018455W*	4500	15357	ACWS75018365W*	3600	12286	ACWS75018275W*	2700	9214	480	70 7/8	74
ACWS75021528W*	5250	17917	ACWS75021428W*	4200	14333	ACWS75021318W*	3150	10750	208	82 11/16	85
ACWS75021522W	5250	17917	ACWS75021422W	4200	14333	ACWS75021312W	3150	10750	240	82 11/16	85
ACWS75021527W	5250	17917	ACWS75021427W	4200	14333	ACWS75021317W	3150	10750	277	82 11/16	85
ACWS75021525W*	5250	17917	ACWS75021425W*	4200	14333	ACWS75021315W*	3150	10750	480	82 11/16	85
ACWS75024608W*	6000	20476	ACWS75024488W*	4800	16381	ACWS75024368W*	3600	12286	208	94 1/2	96
ACWS75024602W	6000	20476	ACWS75024482W	4800	16381	ACWS75024362W	3600	12286	240	94 1/2	96
ACWS75024607W	6000	20476	ACWS75024487W	4800	16381	ACWS75024367W	3600	12286	277	94 1/2	96
ACWS75024605W*	6000	20476	ACWS75024485W*	4800	16381	ACWS75024365W*	3600	12286	480	94 1/2	96
CWS1000											
DENSITY OF 1000 W PER LINEAR FOOT			DENSITY OF 800 W PER LINEAR FOOT			DENSITY OF 600 W PER LINEAR FOOT			VOLTAGE	LENGTH	WEIGHT
CODE	WATTS	BTU/H	CODE	WATTS	BTU/H	CODE	WATTS	BTU/H	VOLTS	IN.	LB
---	2000	6825	---	1600	5460	ACWS10006128W	1200	4095	208	23 5/8	35
---	2000	6825	---	1600	5460	ACWS10006122W	1200	4095	240	23 5/8	35
---	2000	6825	---	1600	5460	ACWS10006127W	1200	4095	277	23 5/8	35
---	2000	6825	---	1600	5460	ACWS10006125W	1200	4095	480	23 5/8	35
ACWS10009308W	3000	10238	ACWS10009248W	2400	8190	ACWS10009188W	1800	6143	208	35 7/16	53
ACWS10009302W	3000	10238	ACWS10009242W	2400	8190	ACWS10009182W	1800	6143	240	35 7/16	53
ACWS10009307W	3000	10238	ACWS10009247W	2400	8190	ACWS10009187W	1800	6143	277	35 7/16	53
ACWS10009305W	3000	10238	ACWS10009245W	2400	8190	ACWS10009185W	1800	6143	480	35 7/16	53
ACWS100012408W	4000	13651	ACWS100012328W	3200	10921	ACWS100012248W	2400	8190	208	47 1/4	69
ACWS100012402W	4000	13651	ACWS100012322W	3200	10921	ACWS100012242W	2400	8190	240	47 1/4	69
ACWS100012407W	4000	13651	ACWS100012327W	3200	10921	ACWS100012247W	2400	8190	277	47 1/4	69
ACWS100012405W	4000	13651	ACWS100012325W	3200	10921	ACWS100012245W	2400	8190	480	47 1/4	69
ACWS100015508W	5000	17064	ACWS100015408W	4000	13651	ACWS100015308W	3000	10238	208	59 1/16	84
ACWS100015502W	5000	17064	ACWS100015402W	4000	13651	ACWS100015302W	3000	10238	240	59 1/16	84
ACWS100015507W	5000	17064	ACWS100015407W	4000	13651	ACWS100015307W	3000	10238	277	59 1/16	84
ACWS100015505W	5000	17064	ACWS100015405W	4000	13651	ACWS100015305W	3000	10238	480	59 1/16	84
ACWS100018608W	6000	20476	ACWS100018488W	4800	16381	ACWS100018368W	3600	12286	208	70 7/8	98
ACWS100018602W	6000	20476	ACWS100018482W	4800	16381	ACWS100018362W	3600	12286	240	70 7/8	98
ACWS100018607W	6000	20476	ACWS100018487W	4800	16381	ACWS100018367W	3600	12286	277	70 7/8	98
ACWS100018605W	6000	20476	ACWS100018485W	4800	16381	ACWS100018365W	3600	12286	480	70 7/8	98

Consult the optional colours chart or contact your Stelpro representative for all other colours.

\* Add 3 (before the colour code) for three-phase model (available upon request).

Models also available in 277 V and 480 V.

--- not available

# ACCESSORIES

PRODUCT	PRODUCT	DESCRIPTION
CWS750T12*	CWS1000T12*	built-in tamper-proof single pole thermostat
CWS750T22*	CWS1000T22*	built-in tamper-proof double pole thermostat
CWS750T33*	---	built-in tamper-proof triple pole thermostat (3 ph)
CWS750RE153*	CWS1000RE153*	built-in electronic low voltage relay [15 A @ 120 V-347 V]
CWS750RE156*	CWS1000RE156*	built-in electronic low voltage relay [6 A @ 600 V]
CWS750RE153T*	CWS1000RE153T*	built-in electronic low voltage relay c/w transformer 24 V [15 A @ 208 V-347 V]
CWS750RM240T*	CWS1000RM240T*	built-in electromechanical relay c/w transformer 24 V [5000 W @ 208 V / 6000 W @ 240 V]
CWS750RM347T*	CWS1000RM347T*	built-in electromechanical relay c/w transformer 24 V [6000 W @ 347 V]
CWS750RM347C*	CWS1000RM347C*	built-in electromechanical relay w/o transformer 24 V [6000 W @ 120 V-347 V]
CWS750R841C1151*	CWS1000R841C1151*	built-in electromechanical relay c/w transformer 24 V [6000 W @ 600 V]
CWS750R841D1036*	CWS1000R841D1036*	built-in electromechanical relay w/o transformer 24 V [6000 W @ 600 V]
CWS750DIS6001P*	CWS1000DIS6001P*	disconnect switch [30 A @ 600 V] 2 poles
CWS750DIS6003P*	CWS1000DIS6003P*	disconnect switch [32 A @ 690 V] 3 poles
PK3W	PK3W	pedestal kit (kit of two)
CWS750JSW	CWS1000JSW	joiner strip (2 in.)
CWS750CBW*	CWS1000CBW*	clean back (fully finished, no mounting holes or knockouts)

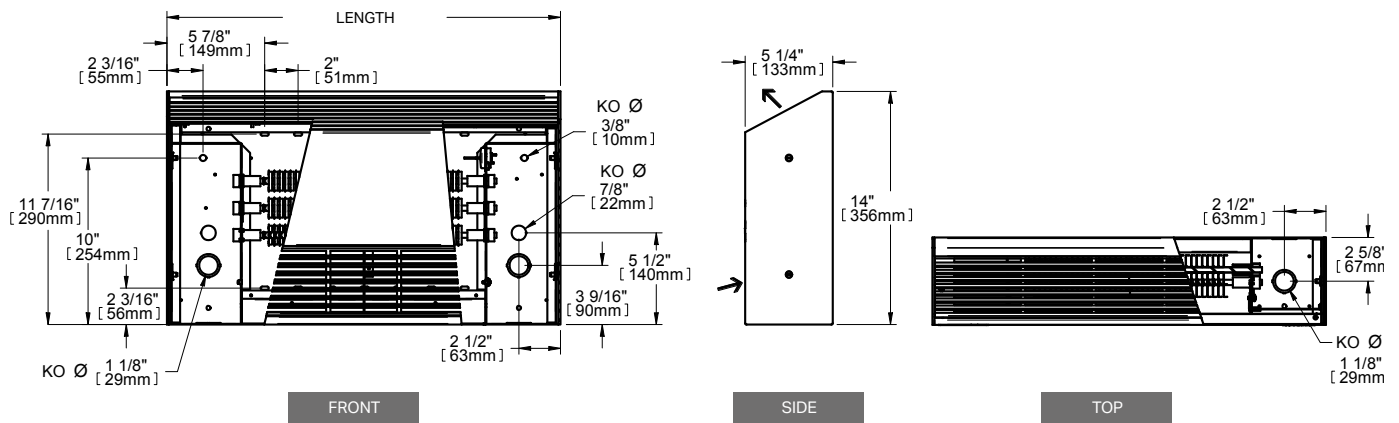
Electronic relays can receive a PWM (pulsed width modulation) or digital (on/off) signal.

\* Factory installed. \* Factory installation is strongly recommended.

--- Not available

## TECHNICAL DRAWINGS

CWS750



CWS1000

