

# ASOS<sup>+</sup> – SONOMA™ STYLE

SONOMA™ STYLE

## WALL FAN HEATER



## ADD STYLE TO YOUR COMFORT

The Sonoma Style wall fan heater will add a touch of style to your heating with its sleek design, minimalist front cover and state-of-the-art, integrated, electronic thermostat. This quiet but fast heating solution is perfect for any room. With the same footprint as most popular models, the Sonoma Style offers easy one-screw cover installation. Its resistant facade makes it a safe and sustainable choice. Designed with the user experience in mind, the Sonoma Style fan heater provides optimal comfort to any room.

### ■ INNOVATIVE AND UNIQUE DESIGN

ADDS STYLE TO ANY DECOR  
HIGHLY SECURE FACADE

### ■ ENERGY SAVINGS

INTEGRATED ELECTRONIC  
THERMOSTAT AVAILABLE

### ■ COMPACT

FIT ANYWHERE, PERFECT  
FOR SMALL SPACES

### ■ QUICK AND EASY INSTALLATION

EASILY RETROFITS MOST POPULAR  
MODELS

### ■ FAST COMFORT

RAPID TEMPERATURE RISE

### ■ QUIET FAN

### COLOR

- white

### FINISH

- epoxy-polyester powdercoat

### MANUFACTURING

- 22-gauge steel cabinet and 20-gauge steel facade
- thermal protections with manual reset
- additional one-time thermal fuse

### ELEMENT

- nichrome element produces instant heat

### CONTROL

- built-in electronic thermostat (optional)
- wall thermostat (not included) – the use of an electronic thermostat is strongly recommended

### INSTALLATION

- recessed
- wall mounted with surface adapter (optional)

### WARRANTY

- five years, \*three years on electronic components

#### IDEAL FOR:

bedroom, living room, kitchen, hallway, bathroom

°STELPRO

Stelpro reserves the right to modify at any time the description, manufacturing, or price of its products. Additionally, Stelpro may apply restocking fees or refuse a refund based on one or more of the following criteria: optional color, custom product, assembly with low-demand options. For the latest product information and prices regarding the products, please visit the website [www.stelpro.com](http://www.stelpro.com).



## TECHNICAL SPECIFICATIONS

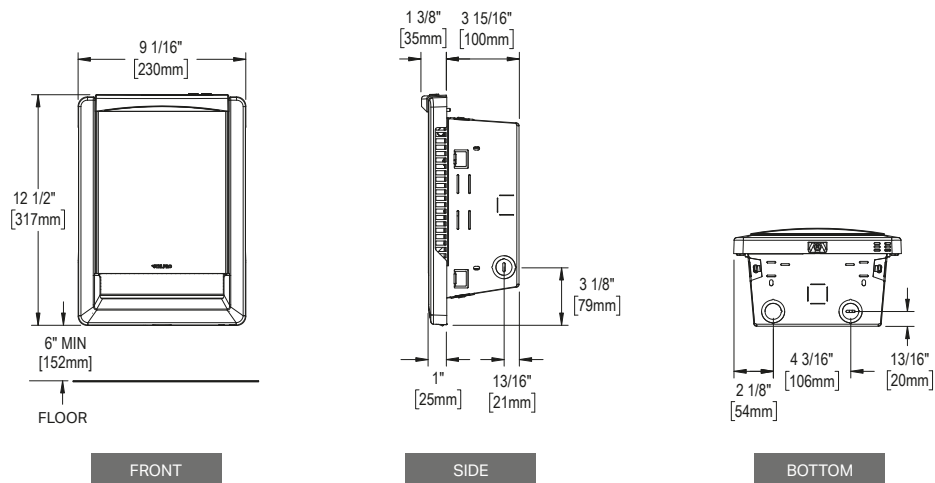
WITHOUT CONTROL			BUILT-IN ELECTRONIC THERMOSTAT			VOLTAGE	FLOW	HEAT RISE	WEIGHT
CODE	WATTS*	BTU/H	CODE	WATTS	BTU/H	VOLTS	CFM	°F	LB
ASOS1001WCW	1000 or 500	3413 or 1706	ASOS1001W	1000	3413	120	30	105	6.2
ASOS1008WCW	1000 or 500	3413 or 1706	ASOS1008W	1000	3413	208	30	105	6.2
ASOS1002WCW	1000/750 or 500/375	3413/2560 or 1706/1280	ASOS1002W	1000/750	3413/2560	240/208	30	105	6.2
ASOS1501WCW	1500 or 750	5119 or 2560	ASOS1501W	1500	5119	120	34	139	6.2
ASOS1508WCW	1500 or 750	5119 or 2560	ASOS1508W	1500	5119	208	34	139	6.2
ASOS1502WCW	1500/1125 or 750/560	5119/3839 or 2560/1911	ASOS1502W	1500/1125	5119/3839	240/208	34	139	6.2

Add WBB for unit without back box (available for U.S. market only).  
 \*Choice of power at installation for models without control only

## ACCESSORIES

PRODUCT	DESCRIPTION
ASOBB6	back box (6 pack)
ASOSAW	surface adapter (white)

## TECHNICAL DRAWINGS



Stelpro reserves the right to modify at any time the description, manufacturing, or price of its products. Additionally, Stelpro may apply restocking fees or refuse a refund based on one or more of the following criteria: optional color, custom product, assembly with low-demand options. For the latest product information and prices regarding the products, please visit the website [www.stelpro.com](http://www.stelpro.com).