

ASO – SONOMA™

WALL FAN HEATER

SONOMA™



THE NEW STANDARD IN FAN HEATERS

The Sonoma fan heater is the new standard for those who need a quiet but fast heating solution. With the same footprint as most popular models, the Sonoma offers easy one-screw cover installation. Its resistant facade makes it a safe and sustainable choice. Ideal for your bathroom, the integrated timer provides the warmth you want right when you need it most. Designed with the user experience in mind, the Sonoma fan heater provides optimal comfort to any room.

■ RESISTANT FACADE WITH REFINED DESIGN

■ DESIGNED WITH THE USER EXPERIENCE IN MIND

CONTROLS LOCATED AT THE TOP OF THE UNIT

■ COMPACT

FIT ANYWHERE, PERFECT FOR SMALL SPACES

■ QUICK AND EASY INSTALLATION

EASILY RETROFITS MOST POPULAR MODELS

■ FAST COMFORT

RAPID TEMPERATURE RISE

■ OPTIMAL SAFETY

INTEGRATED THERMAL CUTOFF

■ QUIET FAN

COLOR

- white

FINISH

- epoxy-polyester powdercoat

MANUFACTURING

- 22-gauge steel cabinet and 20-gauge steel grille
- thermal protections with manual reset
- additional one-time thermal fuse

ELEMENT

- nichrome element produces instant heat

CONTROL

- built-in thermostat (optional)
- built-in timer (optional)
- wall thermostat (not included) – the use of an electronic thermostat is strongly recommended

INSTALLATION

- recessed
- wall mounted with surface adapter (optional)

WARRANTY

- five years

IDEAL FOR:

living room, kitchen, hallway, bedroom, bathroom (model with timer and thermostat), lobby, office

°STELPRO

Stelpro reserves the right to modify at any time the description, manufacturing, or price of its products. Additionally, Stelpro may apply restocking fees or refuse a refund based on one or more of the following criteria: optional color, custom product, assembly with low-demand options. For the latest product information and prices regarding the products, please visit the website www.stelpro.com.



TECHNICAL SPECIFICATIONS

| WITHOUT THERMOSTAT | BUILT-IN THERMOSTAT | BUILT-IN THERMOSTAT AND TIMER | VOLTAGE | POWER* | | FLOW | HEAT RISE | WEIGHT |
|--------------------|---------------------|-------------------------------|---------|-----------------------|------------------------|------|-----------|--------|
| CODE | CODE | CODE | VOLTS | WATTS | BTU/H | CFM | °F | LB |
| ASO1001WCW | ASO1001T2W | ASO1001T2TW | 120 | 1000 or 500 | 3413 or 1706 | 38 | 83 | 6.3 |
| ASO1008WCW | ASO1008T2W | ASO1008T2TW | 208 | 1000 or 500 | 3413 or 1706 | 38 | 83 | 6.3 |
| ASO1002WCW | ASO1002T2W | ASO1002T2TW | 240/208 | 1000/750 or 500/375 | 3413/2560 or 1706/1280 | 38 | 83 | 6.3 |
| ASO1501WCW | ASO1501T2W | ASO1501T2TW | 120 | 1500 or 750 | 5119 or 2560 | 46 | 103 | 6.3 |
| ASO1502WCW | ASO1502T2W | ASO1502T2TW | 240/208 | 1500/1125 or 750/560 | 5119/3839 or 2560/1911 | 46 | 103 | 6.3 |
| ASO2008WCW | ASO2008T2W | ASO2008T2TW | 208 | 2000 or 1000 | 6825 or 3413 | 46 | 137 | 6.3 |
| ASO2002WCW | ASO2002T2W | ASO2002T2TW | 240/208 | 2000/1500 or 1000/750 | 6825/5119 or 3413/2560 | 46 | 137 | 6.3 |

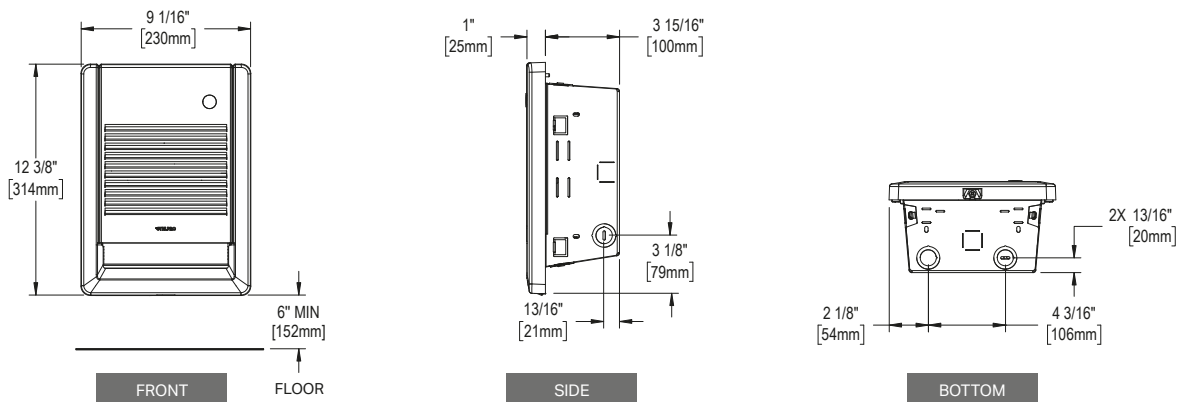
Add WBB for unit without back box (available for U.S. market only).

*Choice of power at installation

ACCESSORIES

| PRODUCT | DESCRIPTION |
|---------|---|
| ASOBB6 | back box (6 pack) |
| ASOT1W | built-in single pole thermostat [120 V-347 V] |
| ASOT2W | built-in double pole thermostat [120V-347V] |
| ASOSAW | surface adapter (white) |

TECHNICAL DRAWINGS



Stelpro reserves the right to modify at any time the description, manufacturing, or price of its products. Additionally, Stelpro may apply restocking fees or refuse a refund based on one or more of the following criteria: optional color, custom product, assembly with low-demand options. For the latest product information and prices regarding the products, please visit the website www.stelpro.com.