

ASSOS⁺ – SONOMA™ STYLE

WALL FAN HEATER



SONOMA™ **STYLE**



ADD STYLE TO YOUR COMFORT

The Sonoma Style wall fan heater will add a touch of style to your heating with its sleek design, minimalist front cover and state-of-the-art, integrated, electronic thermostat. This quiet but fast heating solution is perfect for any room. With the same footprint as most popular models, the Sonoma Style offers easy one-screw cover installation. Its resistant facade makes it a safe and sustainable choice. Designed with the user experience in mind, the Sonoma Style fan heater provides optimal comfort to any room.

■ INNOVATIVE AND UNIQUE DESIGN

ADDS STYLE TO ANY DECOR
HIGHLY SECURE FACADE

■ ENERGY SAVINGS

INTEGRATED ELECTRONIC
THERMOSTAT AVAILABLE

■ COMPACT

FIT ANYWHERE, PERFECT
FOR SMALL SPACES

■ QUICK AND EASY INSTALLATION

EASILY RETROFITS MOST POPULAR
MODELS

■ FAST COMFORT

RAPID TEMPERATURE RISE

■ QUIET FAN

COLOR

- white

FINISH

- epoxy-polyester powdercoat

MANUFACTURING

- 22-gauge steel cabinet and 20-gauge steel facade
- thermal protections with manual reset
- additional one-time thermal fuse

ELEMENT

- nichrome element produces instant heat

CONTROL

- built-in electronic thermostat (optional)
- wall thermostat (not included) – the use of an electronic thermostat is strongly recommended

INSTALLATION

- recessed
- wall mounted with surface adapter (optional)

WARRANTY

- five years, *three years on electronic components

IDEAL FOR:

bedroom, living room, kitchen, hallway, bathroom

°**STELPRO**

Stelpro reserves the right to modify at any time the description, manufacturing, or price of its products. Additionally, Stelpro may apply restocking fees or refuse a refund based on one or more of the following criteria: optional color, custom product, assembly with low-demand options. For the latest product information and prices regarding the products, please visit the website www.stelpro.com.



TECHNICAL SPECIFICATIONS

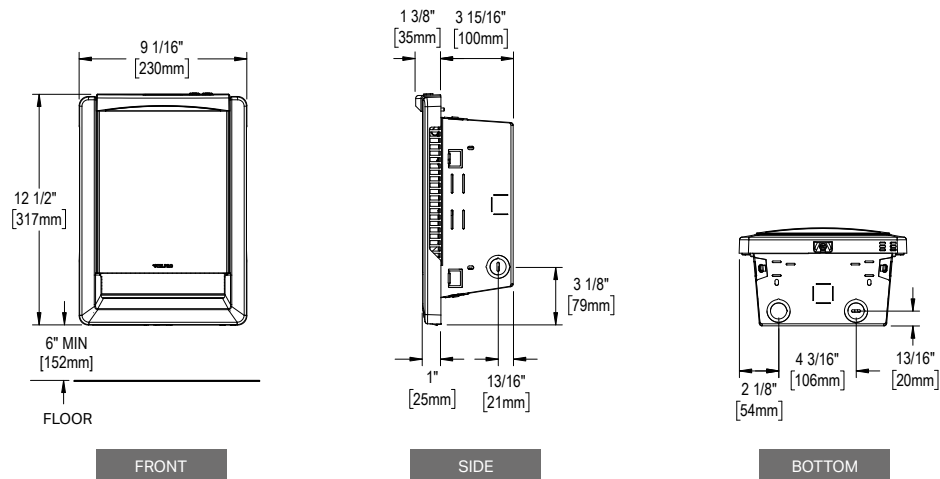
WITHOUT CONTROL			BUILT-IN ELECTRONIC THERMOSTAT			VOLTAGE	HEIGHT	LENGTH	WEIGHT
CODE	WATTS*	BTU/H	CODE	WATTS	BTU/H	VOLTS	IN.	IN.	LB
ASSOS1001WCW	1000 or 500	3413 or 1706	ASSOS1001W	1000	3413	120	12 7/16	9 1/16	7.2
ASSOS1008WCW	1000 or 500	3413 or 1706	ASSOS1008W	1000	3413	208	12 7/16	9 1/16	7.2
ASSOS1002WCW	1000/750 or 500/375	3413/2560 or 1706/1280	ASSOS1002W	1000/750	3413/2560	240/208	12 7/16	9 1/16	7.2
ASSOS1501WCW	1500 or 750	5119 or 2560	ASSOS1501W	1500	5119	120	12 7/16	9 1/16	7.2
ASSOS1508WCW	1500 or 750	5119 or 2560	ASSOS1508W	1500	5119	208	12 7/16	9 1/16	7.2
ASSOS1502WCW	1500/1125 or 750/560	5119/3839 or 2560/1911	ASSOS1502W	1500/1125	5119/3839	240/208	12 7/16	9 1/16	7.2

Add WBB for unit without back box (available for U.S. market only).
 *Choice of power at installation for models without control only

ACCESSORIES

PRODUCT	DESCRIPTION
ASSOBB6	back box (6 pack)
ASSOSAW	surface adapter (white)

TECHNICAL DRAWINGS



Stelpro reserves the right to modify at any time the description, manufacturing, or price of its products. Additionally, Stelpro may apply restocking fees or refuse a refund based on one or more of the following criteria: optional color, custom product, assembly with low-demand options. For the latest product information and prices regarding the products, please visit the website www.stelpro.com.