

ASSO – SONOMA™

WALL FAN HEATER



SONOMA™



THE NEW STANDARD IN FAN HEATERS

The Sonoma fan heater is the new standard for those who need a quiet but fast heating solution. With the same footprint as most popular models, the Sonoma offers easy one-screw cover installation. Its resistant facade makes it a safe and sustainable choice. Ideal for your bathroom, the integrated timer provides the warmth you want right when you need it most. Designed with the user experience in mind, the Sonoma fan heater provides optimal comfort to any room.

■ RESISTANT FACADE WITH REFINED DESIGN

■ DESIGNED WITH THE USER EXPERIENCE IN MIND

CONTROLS LOCATED AT THE TOP OF THE UNIT

■ COMPACT

FIT ANYWHERE, PERFECT FOR SMALL SPACES

■ QUICK AND EASY INSTALLATION EASILY RETROFITS MOST POPULAR MODELS

■ FAST COMFORT

RAPID TEMPERATURE RISE

■ OPTIMAL SAFETY

INTEGRATED THERMAL CUTOFF

■ QUIET FAN

COLOR

- white

FINISH

- epoxy-polyester powdercoat

MANUFACTURING

- 22-gauge steel cabinet and 20-gauge steel grille
- thermal protections with manual reset
- additional one-time thermal fuse

ELEMENT

- nichrome element produces instant heat

CONTROL

- built-in thermostat (optional)
- built-in timer (optional)
- wall thermostat (not included) – the use of an electronic thermostat is strongly recommended

INSTALLATION

- recessed
- wall mounted with surface adapter (optional)

WARRANTY

- five years

IDEAL FOR:

living room, kitchen, hallway, bedroom, bathroom (model with timer and thermostat), lobby, office

°STELPRO

Stelpro reserves the right to modify at any time the description, manufacturing, or price of its products. Additionally, Stelpro may apply restocking fees or refuse a refund based on one or more of the following criteria: optional color, custom product, assembly with low-demand options. For the latest product information and prices regarding the products, please visit the website www.stelpro.com.



FC_ASSO_US_050824



TECHNICAL SPECIFICATIONS

WITHOUT THERMOSTAT	BUILT-IN THERMOSTAT	BUILT-IN THERMOSTAT AND TIMER	VOLTAGE	POWER*		HEIGHT	LENGTH	WEIGHT
CODE	CODE	CODE	VOLTS	WATTS	BTU/H	IN.	IN.	LB
ASSO1001WCW	ASSO1001T2W	ASSO1001T2TW	120	1000 or 500	3413 or 1706	12 3/8	9 1/16	7.4
ASSO1008WCW	ASSO1008T2W	ASSO1008T2TW	208	1000 or 500	3413 or 1706	12 3/8	9 1/16	7.4
ASSO1002WCW	ASSO1002T2W	ASSO1002T2TW	240/208	1000/750 or 500/375	3413/2560 or 1706/1280	12 3/8	9 1/16	7.4
ASSO1501WCW	ASSO1501T2W	ASSO1501T2TW	120	1500 or 750	5119 or 2560	12 3/8	9 1/16	7.4
ASSO1502WCW	ASSO1502T2W	ASSO1502T2TW	240/208	1500/1125 or 750/560	5119/3839 or 2560/1911	12 3/8	9 1/16	7.4
ASSO2008WCW	ASSO2008T2W	ASSO2008T2TW	208	2000 or 1000	6825 or 3413	12 3/8	9 1/16	7.4
ASSO2002WCW	ASSO2002T2W	ASSO2002T2TW	240/208	2000/1500 or 1000/750	6825/5119 or 3413/2560	12 3/8	9 1/16	7.4

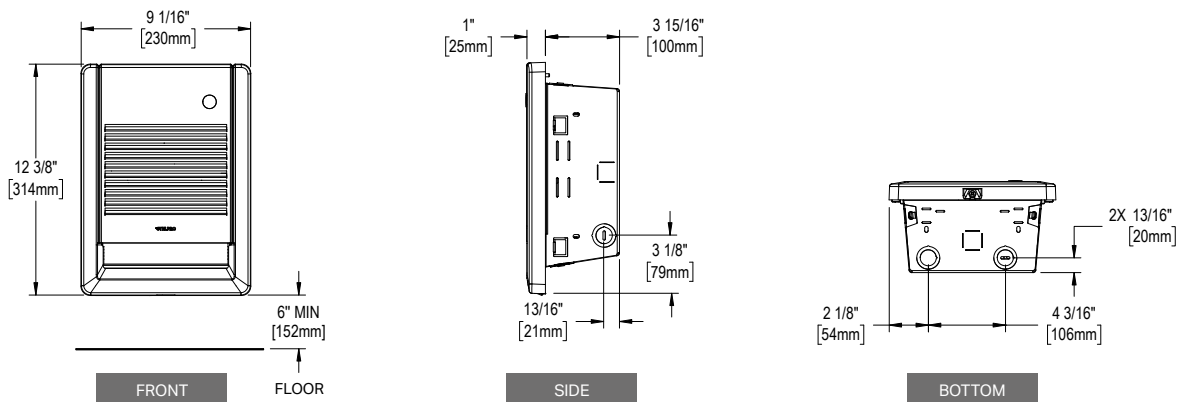
Add WBB for unit without back box (available for U.S. market only).

*Choice of power at installation

ACCESSORIES

PRODUCT	DESCRIPTION
ASSOBB6	back box (6 pack)
ASSOT1W	built-in single pole thermostat [120 V-347 V]
ASSOT2W	built-in double pole thermostat [120V-347V]
ASSOSAW	surface adapter (white)

TECHNICAL DRAWINGS



Stelpro reserves the right to modify at any time the description, manufacturing, or price of its products. Additionally, Stelpro may apply restocking fees or refuse a refund based on one or more of the following criteria: optional color, custom product, assembly with low-demand options. For the latest product information and prices regarding the products, please visit the website www.stelpro.com.