

BA – BELLA™

HIGH-END BASEBOARD



LA DOLCE VITA WITH BELLA

The high-end Bella baseboard is undoubtedly the most beautiful offered on the market. Its breathtaking design and sturdy aluminum-extruded facade make it the ideal choice for residential and commercial locations. The Bella is available in two densities: 150 W or 250 W per linear foot.

- **CLEAN AND HIGH-END FINISH**
- **EXTREMELY SOLID, IMPACT AND RUST RESISTANT**
MADE OF EXTRUDED ALUMINUM
- **FIT FOR RESIDENTIAL AND COMMERCIAL ENVIRONMENTS**
- **TOTALLY QUIET**

COLOURS

- **standard:** white
- **Orora (optional):** refer to www.stelpro.com/en-CA/Orora

FINISH

- epoxy-polyester powdercoat

MANUFACTURING

- 22-gauge steel cabinet
- 11-gauge equivalent extruded aluminum with molded and curved end-caps
- discreet air inlet: air enters through the front of the unit and exits from the top
- thermal protection with automatic reset
- full-length wireway

ELEMENT

- single tubular, stainless steel sheathed element with boxed aluminum fins for improved heat dissipation; the element is securely fastened at its centre, floating in nylon sleeves at each end, eliminating expansion and contraction noises

CONTROL

- wall thermostat (not included) – the use of an electronic thermostat is strongly recommended
- built-in mechanical single pole or double pole thermostat, installed in the left or right junction box (optional)
- low voltage relay kit installed in the left or right junction box (optional)
- disconnect switch (optional)

INSTALLATION

- surface mounted
- wiring compartment at both ends of unit

WARRANTY

- five years. *lifetime warranty on the heating element (for original owner)

IDEAL FOR:

kitchen, living room, bedroom, basement, commercial space, office

°STELPRO

Stelpro reserves the right to modify at any time the description, manufacturing, or price of its products. Additionally, Stelpro may apply restocking fees or refuse a refund based on one or more of the following criteria: optional color, custom product, assembly with low-demand options. For the latest product information and prices regarding the products, please visit the website www.stelpro.com.



TECHNICAL SPECIFICATIONS

DENSITY OF 250 W PER LINEAR FOOT			DENSITY OF 150 W PER LINEAR FOOT			VOLTAGE	TOTAL LENGTH		WALL LENGTH		WEIGHT	
CODE	WATTS	PRICE	CODE	WATTS	PRICE	VOLTS	MM	IN.	MM	IN.	KG	LB
BA03019W	300	240.00	---	---	---	120	597	23 1/2	584	23	2.5	5.5
BA03089W	300	198.00	---	---	---	208	597	23 1/2	584	23	2.5	5.5
BA03029W	300/225	198.00	---	---	---	240/208	597	23 1/2	584	23	2.5	5.5
---	300	---	---	---	---	347	597	23 1/2	584	23	2.5	5.5
---	300	---	---	---	---	600	597	23 1/2	584	23	2.5	5.5
BA0501W	500	251.00	BAL0301W	300	251.00	120	732	28 13/16	719	28 5/16	3.0	6.5
BA0508W	500	207.00	BAL0308W	300	207.00	208	732	28 13/16	719	28 5/16	3.0	6.5
BA0502W	500/375	207.00	BAL0302W	300/225	207.00	240/208	732	28 13/16	719	28 5/16	3.0	6.5
BA0503W	500	251.00	---	300	---	347	732	28 13/16	719	28 5/16	3.0	6.5
---	500	---	---	300	---	600	732	28 13/16	719	28 5/16	3.0	6.5
BA0751W	750	284.00	BAL0451W	450	284.00	120	978	38 1/2	965	38	3.6	8.0
BA0758W	750	234.00	BAL0458W	450	234.00	208	978	38 1/2	965	38	3.6	8.0
BA0752W	750/560	234.00	BAL0452W	450/340	234.00	240/208	978	38 1/2	965	38	3.6	8.0
BA0753W	750	284.00	BAL0453W	450	284.00	347	978	38 1/2	965	38	3.6	8.0
BA0756W	750	284.00	---	450	---	600	978	38 1/2	965	38	3.6	8.0
BA1001W	1000	297.00	BAL0601W	600	296.00	120	1229	48 3/8	1216	47 7/8	4.4	9.7
BA1008W	1000	245.00	BAL0608W	600	244.00	208	1229	48 3/8	1216	47 7/8	4.4	9.7
BA1002W	1000/750	245.00	BAL0602W	600/450	244.00	240/208	1229	48 3/8	1216	47 7/8	4.4	9.7
BA1003W	1000	296.00	BAL0603W	600	296.00	347	1229	48 3/8	1216	47 7/8	4.4	9.7
BA1006W	1000	296.00	---	600	---	600	1229	48 3/8	1216	47 7/8	4.4	9.7
BA1251W	1250	359.00	BAL0751W	750	359.00	120	1478	58 3/16	1465	57 11/16	5.2	11.4
BA1258W	1250	288.00	BAL0758W	750	288.00	208	1478	58 3/16	1465	57 11/16	5.2	11.4
BA1252W	1250/940	288.00	BAL0752W	750/560	288.00	240/208	1478	58 3/16	1465	57 11/16	5.2	11.4
BA1253W	1250	359.00	BAL0753W	750	359.00	347	1478	58 3/16	1465	57 11/16	5.2	11.4
BA1256W	1250	359.00	BAL0756W	750	359.00	600	1478	58 3/16	1465	57 11/16	5.2	11.4
BA1501W	1500	377.00	BAL0901W	900	379.00	120	1707	67 3/16	1694	66 11/16	6.0	13.2
BA1508W	1500	308.00	BAL0908W	900	307.00	208	1707	67 3/16	1694	66 11/16	6.0	13.2
BA1502W	1500/1125	308.00	BAL0902W	900/675	307.00	240/208	1707	67 3/16	1694	66 11/16	6.0	13.2
BA1503W	1500	377.00	BAL0903W	900	379.00	347	1707	67 3/16	1694	66 11/16	6.0	13.2
BA1506W	1500	377.00	BAL0906W	900	379.00	600	1707	67 3/16	1694	66 11/16	6.0	13.2
---	1750	---	BAL1051W	1050	445.00	120	1953	76 7/8	1940	76 3/8	6.8	15.0
BA1758W	1750	369.00	BAL1058W	1050	368.00	208	1953	76 7/8	1940	76 3/8	6.8	15.0
BA1752W	1750/1310	369.00	BAL1052W	1050/790	368.00	240/208	1953	76 7/8	1940	76 3/8	6.8	15.0
BA1753W	1750	445.00	BAL1053W	1050	445.00	347	1953	76 7/8	1940	76 3/8	6.8	15.0
BA1756W	1750	445.00	BAL1056W	1050	445.00	600	1953	76 7/8	1940	76 3/8	6.8	15.0
---	2000	---	BAL1201W	1200	484.00	120	2154	84 13/16	2141	84 5/16	7.7	16.9
BA2008W	2000	403.00	BAL1208W	1200	404.00	208	2154	84 13/16	2141	84 5/16	7.7	16.9
BA2002W	2000/1500	403.00	BAL1202W	1200/900	404.00	240/208	2154	84 13/16	2141	84 5/16	7.7	16.9
BA2003W	2000	484.00	BAL1203W	1200	484.00	347	2154	84 13/16	2141	84 5/16	7.7	16.9
BA2006W	2000	484.00	BAL1206W	1200	484.00	600	2154	84 13/16	2141	84 5/16	7.7	16.9
---	2250	---	---	1350	---	120	2405	94 11/16	2392	94 3/16	8.6	18.8
BA2258W	2250	445.00	BAL1358W	1350	446.00	208	2405	94 11/16	2392	94 3/16	8.6	18.8
BA2252W	2250/1690	445.00	BAL1352W	1350/1010	446.00	240/208	2405	94 11/16	2392	94 3/16	8.6	18.8
BA2253W	2250	534.00	BAL1353W	1350	534.00	347	2405	94 11/16	2392	94 3/16	8.6	18.8
BA2256W	2250	534.00	BAL1356W	1350	534.00	600	2405	94 11/16	2392	94 3/16	8.6	18.8
---	2500	---	---	1500	---	120	2629	103 1/2	2616	103	9.4	20.7
BA2508W	2500	477.00	BAL1508W	1500	477.00	208	2629	103 1/2	2616	103	9.4	20.7
BA2502W	2500/1875	477.00	BAL1502W	1500/1125	477.00	240/208	2629	103 1/2	2616	103	9.4	20.7
BA2503W	2500	568.00	BAL1503W	1500	568.00	347	2629	103 1/2	2616	103	9.4	20.7
BA2506W	2500	568.00	BAL1506W	1500	568.00	600	2629	103 1/2	2616	103	9.4	20.7

Consult the optional colours chart or contact your Stelpro representative for all other colours.
Models also available in 277 V and 480 V.
--- not available

ACCESSORIES

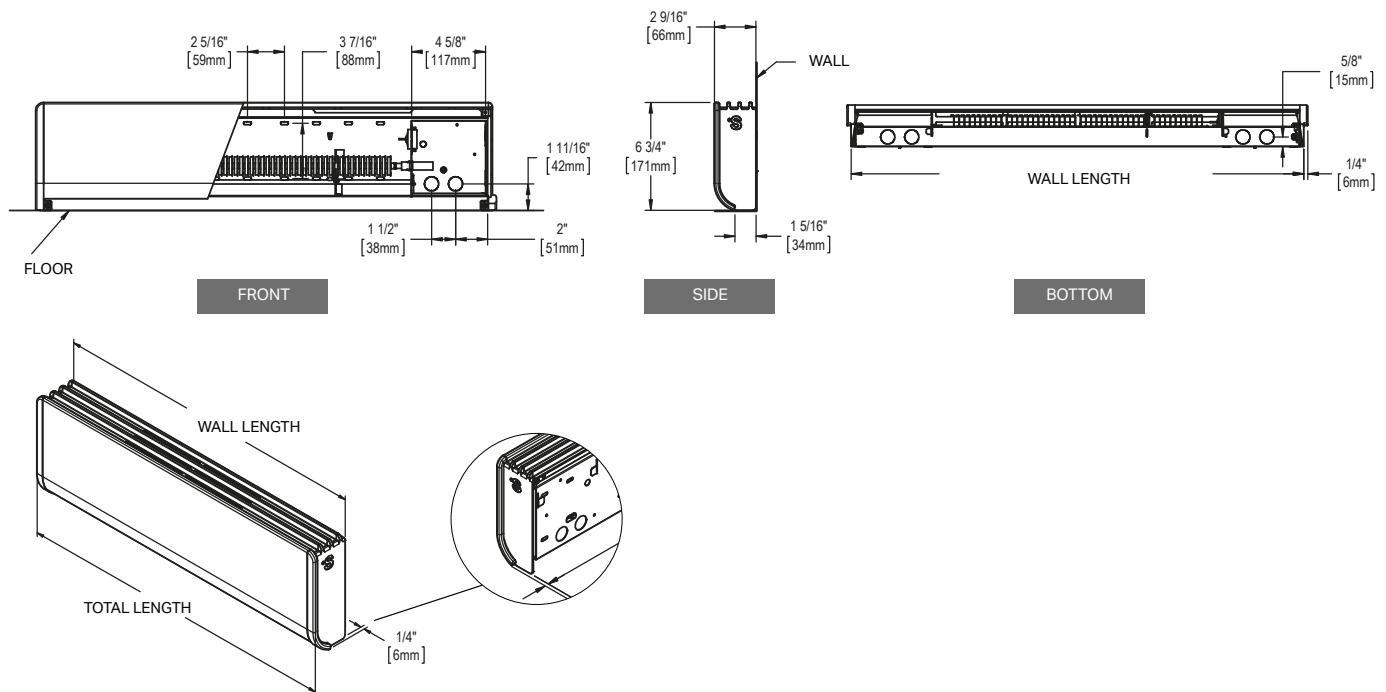
PRODUCT	DESCRIPTION	PRICE
BA1T1W*	built-in single pole thermostat [120 V-600 V]	41.00
BA2T1W*	built-in double pole thermostat [120 V-600 V]	46.00
BARE153*	built-in electronic low voltage relay [15 A @ 120 V-347 V]	115.00
BARE156*	built-in electronic low voltage relay [6 A @ 600 V]	156.00
BARE153T*	built-in electronic low voltage relay c/w transformer 24 V [15 A @ 208 V-347 V]	136.00
BARM240T*	built-in electromechanical relay c/w transformer 24 V [6000 W @ 240 V and 5200 W @ 208 V]	154.00
BARM347T*	built-in electromechanical relay c/w transformer 24 V [6000 W @ 347 V]	167.00
BARM347C*	built-in electromechanical relay w/o transformer 24 V [6000 W @ 120 V-347 V]	144.00
BAR841D1036*	built-in electromechanical low voltage relay w/o transformer 24 V [6000 W @ 600 V]	156.00
BADIS*	disconnect switch [up to 277 V max 15 A]	131.00
BADIS6*	disconnect switch [600 V]	198.00

Electronic relays can receive a PWM (pulsed width modulation) or digital (on/off) signal.

* Factory installed

* Factory installation is strongly recommended.

TECHNICAL DRAWINGS





Stelpro reserves the right to modify at any time the description, manufacturing, or price of its products. Additionally, Stelpro may apply restocking fees or refuse a refund based on one or more of the following criteria: optional color, custom product, assembly with low-demand options. For the latest product information and prices regarding the products, please visit the website www.stelpro.com.