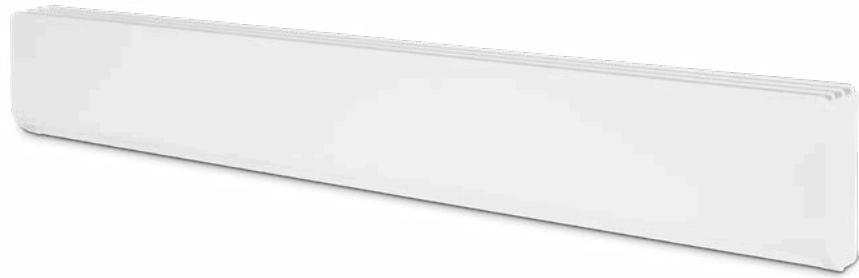


ABA – BELLA™

HIGH-END ALUMINIUM BASEBOARD



LA DOLCE VITA WITH BELLA

The high-end Bella baseboard is undoubtedly the most beautiful offered on the market. Its breathtaking design and sturdy aluminum-extruded facade make it the ideal choice for residential and commercial locations. The Bella is available in two densities: 150 W or 250 W per linear foot.

- **CLEAN AND HIGH-END FINISH**
- **EXTREMELY SOLID, IMPACT AND RUST RESISTANT**
MADE OF EXTRUDED ALUMINUM
- **FIT FOR RESIDENTIAL AND COMMERCIAL ENVIRONMENTS**
- **TOTALLY QUIET**

COLORS

- **standard:** white
- **Orora (optional):** refer to stelpro.com/en/orora/

FINISH

- epoxy-polyester powdercoat

MANUFACTURING

- 22-gauge steel cabinet
- 11-gauge equivalent extruded aluminum with molded and curved end-caps
- discreet bottom air inlet: air enters through the front of the unit and exits from the top
- thermal protection with automatic reset
- full-length wireway

ELEMENT

- single tubular, stainless steel sheathed element with boxed aluminum fins for improved heat dissipation; the element is securely fastened at its centre, floating in nylon sleeves at each end, eliminating expansion and contraction noises

CONTROL

- wall thermostat (not included) – the use of an electronic thermostat is strongly recommended
- built-in mechanical single pole or double pole thermostat, installed in the left or right junction box (optional)
- low voltage relay kit installed in the left or right junction box (optional)
- disconnect switch (optional)

INSTALLATION

- surface mounted
- wiring compartment at both ends of unit

WARRANTY

- five years. *lifetime warranty on the heating element (for original owner)

IDEAL FOR:

kitchen, living room, bedroom, basement, commercial space, office

°STELPRO

Stelpro reserves the right to modify at any time the description, manufacturing, or price of its products. Additionally, Stelpro may apply restocking fees or refuse a refund based on one or more of the following criteria: optional color, custom product, assembly with low-demand options. For the latest product information and prices regarding the products, please visit the website www.stelpro.com.

TECHNICAL SPECIFICATIONS

DENSITY OF 250 W PER LINEAR FOOT			DENSITY OF 150 W PER LINEAR FOOT			VOLTAGE	TOTAL LENGTH	WALL LENGTH	WEIGHT
FOR COMMERCIAL USE ONLY			FOR RESIDENTIAL AND COMMERCIAL USE						
CODE	WATTS	BTU/H	CODE	WATTS	BTU/H	VOLTS	IN.	IN.	LB
ABA03019W	300	1024	---	---	---	120	23 1/2	23	5.5
ABA03089W	300	1024	---	---	---	208	23 1/2	23	5.5
ABA03029W	300/225	1024/768	---	---	---	240/208	23 1/2	23	5.5
ABA0501W	500	1706	ABAL0301W	300	1024	120	28 13/16	28 5/16	6.5
ABA0508W	500	1706	ABAL0308W	300	1024	208	28 13/16	28 5/16	6.5
ABA0502W	500/375	1706/1280	ABAL0302W	300/225	1024/768	240/208	28 13/16	28 5/16	6.5
ABA0507W	500	1706	---	300	1024	277	28 13/16	28 5/16	6.5
ABA0751W	750	2560	ABAL0451W	450	1536	120	38 1/2	38	8.0
ABA0758W	750	2560	ABAL0458W	450	1536	208	38 1/2	38	8.0
ABA0752W	750/560	2560/1911	ABAL0452W	450/340	1536/1160	240/208	38 1/2	38	8.0
ABA0757W	750	2560	ABAL0457W	450	1536	277	38 1/2	38	8.0
ABA0755W	750	2560	---	450	1536	480	38 1/2	38	8.0
ABA1001W	1000	3413	ABAL0601W	600	2048	120	48 3/8	47 7/8	9.7
ABA1008W	1000	3413	ABAL0608W	600	2048	208	48 3/8	47 7/8	9.7
ABA1002W	1000/750	3413/2560	ABAL0602W	600/450	2048/1536	240/208	48 3/8	47 7/8	9.7
ABA1007W	1000	3413	ABAL0607W	600	2048	277	48 3/8	47 7/8	9.7
ABA1005W	1000	3413	---	600	2048	480	48 3/8	47 7/8	9.7
ABA1251W	1250	4266	ABAL0751W	750	2560	120	58 3/16	57 11/16	11.4
ABA1258W	1250	4266	ABAL0758W	750	2560	208	58 3/16	57 11/16	11.4
ABA1252W	1250/940	4266/3208	ABAL0752W	750/560	2560/1911	240/208	58 3/16	57 11/16	11.4
ABA1257W	1250	4266	ABAL0757W	750	2560	277	58 3/16	57 11/16	11.4
ABA1255W	1250	4266	ABAL0755W	750	2560	480	58 3/16	57 11/16	11.4
ABA1501W	1500	5119	ABAL0901W	900	3071	120	67 3/16	66 11/16	13.2
ABA1508W	1500	5119	ABAL0908W	900	3071	208	67 3/16	66 11/16	13.2
ABA1502W	1500/1125	5119/3839	ABAL0902W	900/675	3071/2304	240/208	67 3/16	66 11/16	13.2
ABA1507W	1500	5119	ABAL0907W	900	3071	277	67 3/16	66 11/16	13.2
ABA1505W	1500	5119	ABAL0905W	900	3071	480	67 3/16	66 11/16	13.2
---	1750	5972	ABAL1051W	1050	3583	120	76 7/8	76 3/8	15.0
ABA1758W	1750	5972	ABAL1058W	1050	3583	208	76 7/8	76 3/8	15.0
ABA1752W	1750/1310	5972/4488	ABAL1052W	1050/790	3583/2696	240/208	76 7/8	76 3/8	15.0
ABA1757W	1750	5972	ABAL1057W	1050	3583	277	76 7/8	76 3/8	15.0
ABA1755W	1750	5972	ABAL1055W	1050	3583	480	76 7/8	76 3/8	15.0
---	2000	6825	ABAL1201W	1200	4095	120	84 13/16	84 5/16	16.9
ABA2008W	2000	6825	ABAL1208W	1200	4095	208	84 13/16	84 5/16	16.9
ABA2002W	2000/1500	6825/5119	ABAL1202W	1200/900	4095/3071	240/208	84 13/16	84 5/16	16.9
ABA2007W	2000	6825	ABAL1207W	1200	4095	277	84 13/16	84 5/16	16.9
ABA2005W	2000	6825	ABAL1205W	1200	4095	480	84 13/16	84 5/16	16.9
ABA2258W	2250	7679	ABAL1358W	1350	4607	208	94 11/16	94 3/16	18.8
ABA2252W	2250/1690	7679/5767	ABAL1352W	1350/1010	4607/3447	240/208	94 11/16	94 3/16	18.8
ABA2257W	2250	7679	ABAL1357W	1350	4607	277	94 11/16	94 3/16	18.8
ABA2255W	2250	7679	ABAL1355W	1350	4607	480	94 11/16	94 3/16	18.8
ABA2508W	2500	8532	ABAL1508W	1500	5119	208	103 1/2	103	20.7
ABA2502W	2500/1875	8532/6399	ABAL1502W	1500/1125	5119/3839	240/208	103 1/2	103	20.7
ABA2507W	2500	8532	ABAL1507W	1500	5119	277	103 1/2	103	20.7
ABA2505W	2500	8532	ABAL1505W	1500	5119	480	103 1/2	103	20.7

Consult the optional colors chart or contact your Stelpro representative for all other colors.
 --- not available

ACCESSORIES

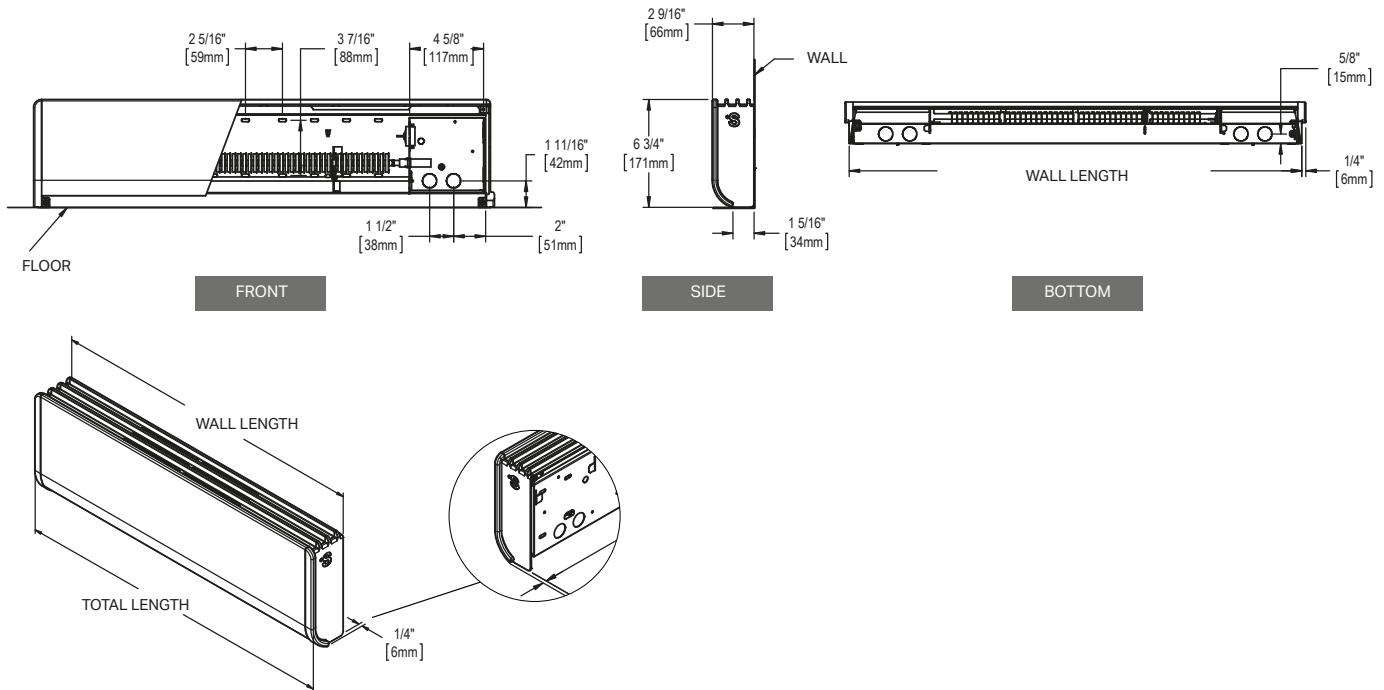
PRODUCT	FACTORY INSTALLATION		DESCRIPTION
	LEFT	RIGHT	
BA1T1W	BA1T1W-G	BA1T1W-D	built-in single pole thermostat [120 V-600 V]
BA2T1W	BA2T1W-G	BA2T1W-D	built-in double pole thermostat [120 V-600 V]
BARE153	BARE153-G	BARE153-D	built-in electronic low voltage relay [15 A @ 120 V-347 V]
BARE156	BARE156-G	BARE156-D	built-in electronic low voltage relay [6 A @ 600 V]
BARE153T*	BARE153T-G*	BARE153T-D*	built-in electronic low voltage relay c/w transformer 24 V [15 A @ 208 V-347 V]
BARM120T	BARM120T-K		built-in electromechanical relay c/w transformer 24 V [3000 W @ 120 V]
BARM240T	BARM240T-K		built-in electromechanical relay c/w transformer 24 V [6000 W @ 240 V and 5200 W @ 208 V]
BARM347T	BARM347T-K		built-in electromechanical relay c/w transformer 24 V [6000 W @ 347 V]
BARM347C	BARM347C-K		built-in electromechanical relay w/o transformer 24 V [6000 W @ 120-347 V]
BAR841D1036	BAR841D1036-K		built-in electromechanical low voltage relay w/o transformer 24 V [6000 W @ 600 V]
BADIS	BADIS-K		disconnect switch [up to 277 V max 15 A]
BADIS6	BADIS6-K		disconnect switch [600 V]

Electronic relays can receive a PWM (pulsed width modulation) or digital (on/off) signal.

* Transformer is supplying 27.5 Vac to thermostat when triac is used at 347 Vac. Here is the voltage supplied by the transformer when triac is used at other voltages:

VOLTAGE TRIAC			
347 Vac	277 Vac	240 Vac	208 Vac
27.5 V	21.2 V	19.0 V	16.5 V

TECHNICAL DRAWINGS





Stelpro reserves the right to modify at any time the description, manufacturing, or price of its products. Additionally, Stelpro may apply restocking fees or refuse a refund based on one or more of the following criteria: optional color, custom product, assembly with low-demand options. For the latest product information and prices regarding the products, please visit the website www.stelpro.com.