

CBF

COMMERCIAL BASEBOARD



A STURDY BASEBOARD THAT CAN BE RECESSED

The CBF commercial baseboard heater is a suitable choice for commercial buildings, passageways and any other public establishment where wall space is precious and recessed installation is ideal. Surface mountable as well, this heater looks great on its own or installed one end to end in a continuous fashion around the perimeter of a room or corridor.

- **CAN BE RECESSED**
DIRECTLY UNDER WINDOWS
- **OFFERED IN THREE WATT DENSITIES**
- **BLANK SECTIONS AVAILABLE**
FOR A CONTINUOUS LOOK

COLORS

- **standard:** white
- **Orora (optional):** refer to www.stelpro.com/en-US/Orora

FINISH

- epoxy-polyester powdercoat

MANUFACTURING

- 18-gauge steel cabinet and 16-gauge steel front panel
- thermal protection with automatic reset
- full-length wireway
- pencil-proof openings of less than 1/4 in. prevent foreign objects from entering the unit

ELEMENT

- single tubular, stainless steel sheathed element with boxed aluminum fins for improved heat dissipation; the element is securely fastened at its centre, floating in nylon sleeves at each end, eliminating expansion and contraction noises

CONTROL

- wall thermostat (not included) – the use of an electronic thermostat is strongly recommended
- built-in tamper-proof thermostat accessible without removing front grille, installed in the left or right junction box (optional)
- low voltage relay kit installed in the left or right junction box (optional)

INSTALLATION

- surface mounted or wall recessed with four-piece trim frame (optional)
- wall or floor mounted with or without pedestal kit (optional)
- wiring compartments at both ends of unit
- blank sections (custom lengths) and accessories are available for a continuous look (optional)

WARRANTY

- three years

IDEAL FOR:

school, shopping mall, hospital

°STELPRO

Stelpro reserves the right to modify at any time the description, manufacturing, or price of its products. Additionally, Stelpro may apply restocking fees or refuse a refund based on one or more of the following criteria: optional color, custom product, assembly with low-demand options. For the latest product information and prices regarding the products, please visit the website www.stelpro.com.



TECHNICAL SPECIFICATIONS

250 W PER LINEAR FOOT			200 W PER LINEAR FOOT			150 W PER LINEAR FOOT			VOLTAGE	LENGTH	WEIGHT
CODE	WATTS	BTU/H	CODE	WATTS	BTU/H	CODE	WATTS	BTU/H	VOLTS	IN.	LB
CBF6051W	500	1706	CBF6041W	400	1365	CBF6031W	300	1024	120	23 5/8	14
CBF6058W	500	1706	CBF6048W	400	1365	CBF6038W	300	1024	208	23 5/8	14
CBF6052W	500	1706	CBF6042W	400	1365	CBF6032W	300	1024	240	23 5/8	14
CBF6057W	500	1706	---	400	1365	---	300	1024	277	23 5/8	14
---	500	1706	---	400	1365	---	300	1024	480	23 5/8	14
CBF9071W	750	2560	CBF9061W	600	2048	CBF9041W	450	1536	120	35 7/16	20
CBF9078W	750	2560	CBF9068W	600	2048	CBF9048W	450	1536	208	35 7/16	20
CBF9072W	750	2560	CBF9062W	600	2048	CBF9042W	450	1536	240	35 7/16	20
CBF9077W	750	2560	CBF9067W	600	2048	CBF9047W	450	1536	277	35 7/16	20
CBF9075W	750	2560	---	600	2048	---	450	1536	480	35 7/16	20
CBF12101W	1000	3413	CBF12081W	800	2730	CBF12061W	600	2048	120	47 1/4	30
CBF12108W	1000	3413	CBF12088W	800	2730	CBF12068W	600	2048	208	47 1/4	30
CBF12102W	1000	3413	CBF12082W	800	2730	CBF12062W	600	2048	240	47 1/4	30
CBF12107W	1000	3413	CBF12087W	800	2730	CBF12067W	600	2048	277	47 1/4	30
CBF12105W	1000	3413	CBF12085W	800	2730	---	600	2048	480	47 1/4	30
CBF15121W	1250	4266	CBF15101W	1000	3413	CBF15071W	750	2560	120	59 1/16	37
CBF15128W	1250	4266	CBF15108W	1000	3413	CBF15078W	750	2560	208	59 1/16	37
CBF15122W	1250	4266	CBF15102W	1000	3413	CBF15072W	750	2560	240	59 1/16	37
CBF15127W	1250	4266	CBF15107W	1000	3413	CBF15077W	750	2560	277	59 1/16	37
CBF15125W	1250	4266	CBF15105W	1000	3413	CBF15075W	750	2560	480	59 1/16	37
CBF18151W	1500	5119	CBF18121W	1200	4095	CBF18091W	900	3071	120	70 7/8	44
CBF18158W	1500	5119	CBF18128W	1200	4095	CBF18098W	900	3071	208	70 7/8	44
CBF18152W	1500	5119	CBF18122W	1200	4095	CBF18092W	900	3071	240	70 7/8	44
CBF18157W	1500	5119	CBF18127W	1200	4095	CBF18097W	900	3071	277	70 7/8	44
CBF18155W	1500	5119	CBF18125W	1200	4095	CBF18095W	900	3071	480	70 7/8	44
---	1750	5972	CBF21141W	1400	4778	CBF21101W	1050	3583	120	82 11/16	51
CBF21178W	1750	5972	CBF21148W	1400	4778	CBF21108W	1050	3583	208	82 11/16	51
CBF21172W	1750	5972	CBF21142W	1400	4778	CBF21102W	1050	3583	240	82 11/16	51
CBF21177W	1750	5972	CBF21147W	1400	4778	CBF21107W	1050	3583	277	82 11/16	51
CBF21175W	1750	5972	CBF21145W	1400	4778	CBF21105W	1050	3583	480	82 11/16	51
---	2000	6825	---	1600	5460	CBF24121W	1200	4095	120	94 1/2	59
CBF24208W	2000	6825	CBF24168W	1600	5460	CBF24128W	1200	4095	208	94 1/2	59
CBF24202W	2000	6825	CBF24162W	1600	5460	CBF24122W	1200	4095	240	94 1/2	59
CBF24207W	2000	6825	CBF24167W	1600	5460	CBF24127W	1200	4095	277	94 1/2	59
CBF24205W	2000	6825	CBF24165W	1600	5460	CBF24125W	1200	4095	480	94 1/2	59
---	2250	7679	---	1800	6143	---	1350	4607	120	106 5/16	61
CBF27228W	2250	7679	CBF27188W	1800	6143	CBF27138W	1350	4607	208	106 5/16	61
CBF27222W	2250	7679	CBF27182W	1800	6143	CBF27132W	1350	4607	240	106 5/16	61
CBF27227W	2250	7679	CBF27187W	1800	6143	CBF27137W	1350	4607	277	106 5/16	61
CBF27225W	2250	7679	CBF27185W	1800	6143	CBF27135W	1350	4607	480	106 5/16	61
---	2500	8532	---	2000	6825	---	1500	5119	120	106 5/16	61
CBF27258W	2500	8532	CBF27208W	2000	6825	CBF27158W	1500	5119	208	106 5/16	61
CBF27252W	2500	8532	CBF27202W	2000	6825	CBF27152W	1500	5119	240	106 5/16	61
CBF27257W	2500	8532	CBF27207W	2000	6825	CBF27157W	1500	5119	277	106 5/16	61
CBF27255W	2500	8532	CBF27205W	2000	6825	CBF27155W	1500	5119	480	106 5/16	61

Consult the optional colors chart or contact your Stelpro representative for all other colors.
 --- not available

ACCESSORIES

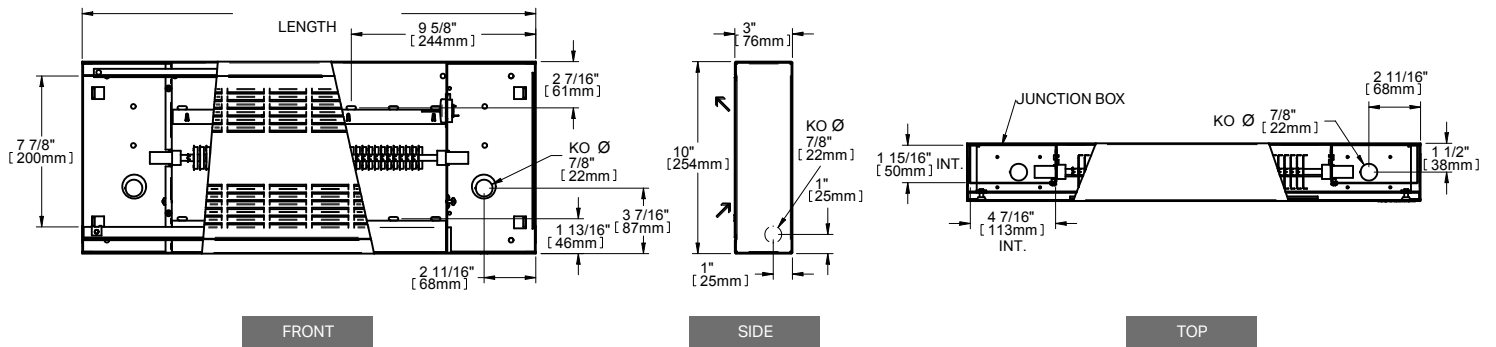
PRODUCT	DESCRIPTION
CBFT12*	built-in tamper-proof single pole thermostat
CBFT22*	built-in tamper-proof double pole thermostat
CBFRE153*	built-in electronic low voltage relay [15 A @ 120 V-347 V]
CBFRE156*	built-in electronic low voltage relay [6 A @ 600 V]
CBFRE153T*	built-in electronic low voltage relay c/w transformer 24 V [15 A @ 208 V-347 V]
CBFRM240T*	built-in electromechanical relay c/w transformer 24 V [6000 W @ 240 V and 5200 W @ 208 V]
CBFRM347T*	built-in electromechanical relay c/w transformer 24 V [6000 W @ 347 V]
CBFRM347C*	built-in electromechanical relay w/o transformer 24 V [6000 W @ 120 V-347 V]
CBFR841D1036*	built-in electromechanical relay w/o transformer 24 V [6000 W @ 600 V]
CBFR841C1151*	built-in electromechanical low voltage relay c/w transformer 24 V [6000 W @ 600 V]
CBFDIS250*	disconnect switch [120 V-250 V] [17 A @ 120 V-12 A @ 250 V]
CBFDIS600*	disconnect switch [277 V-600 V]
PK2W	pedestal kit (kit of two)
CBFJSW	joiner strip (2 in.)
CBFIC90W	inside corner (back measures 5 7/8 in. long on each side)
CBFOC90W	outside corner (back measures 5 7/8 in. long on each side)
CBFTBW	four-piece trim frame
CBFCBW*	clean back (fully finished, no mounting holes or knockouts)

Electronic relays can receive a PWM (pulsed width modulation) or digital (on/off) signal.

* Factory installed

* Factory installation is strongly recommended.

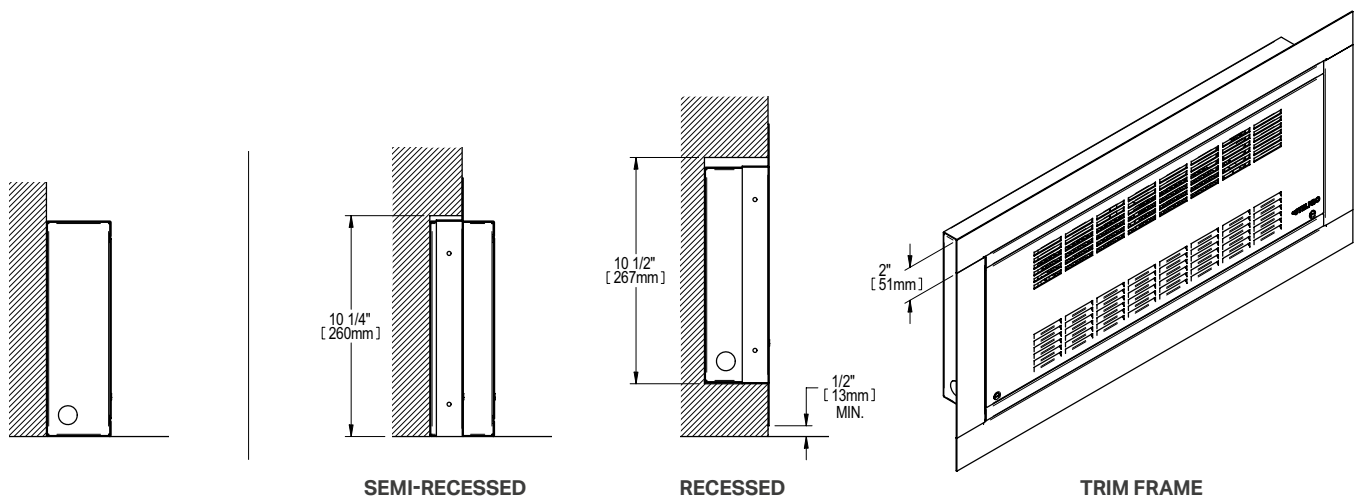
TECHNICAL DRAWINGS



INSTALLATION

SURFACE MOUNTED

RECESSED OR SEMI-RECESSED WITH FOUR-PIECE TRIM FRAME (OPTIONAL)



Stelpro reserves the right to modify at any time the description, manufacturing, or price of its products. Additionally, Stelpro may apply restocking fees or refuse a refund based on one or more of the following criteria: optional color, custom product, assembly with low-demand options. For the latest product information and prices regarding the products, please visit the website www.stelpro.com.

