

# ACF

## CEILING FAN HEATER



### THE SPACE-SAVER

Stelpro has the perfect space-saving solution for heating small entryways, hallways and lobbies: the sturdy, reliable ACF ceiling fan heater. Built to last, the ACF pushes heat downward so that it mixes with the cold air below. It can be surface mounted or recessed into conventional ceilings or recessed in suspended ceilings. Whether installed in an entryway or hallway, the ACF provides all the heat you need in an enclosed space.

- **GRILLE WITH ROUNDED SIDES**  
DURABLE AND STYLISH
- **THE PERFECT SOLUTION FOR ENTRYWAYS AND HALLWAYS**
- **CEILING MOUNTED**  
PREVENTS VANDALISM
- **MULTIPLE INSTALLATION OPTIONS**  
CAN BE SURFACE MOUNTED OR RECESSED – OR RECESSED IN A SUSPENDED CEILING
- **OPTIONAL DISCONNECT SWITCH AVAILABLE**

#### COLORS

- **standard:** white
- **Orora (optional):** refer to [www.stelpro.com/en-US/Orora](http://www.stelpro.com/en-US/Orora)

#### FINISH

- epoxy-polyester powdercoat

#### MANUFACTURING

- 20-gauge steel cabinet and 18-gauge steel grille
- fan: 1 x 160 CFM (single unit) – 2 x 160 CFM (double unit)
- closed and permanently lubricated motor
- thermal protection with automatic reset

#### ELEMENT

- nichrome element producing instant heat

#### CONTROL

- connection of multiple units to the same thermostat is possible with a relay kit without transformer (optional) and an external transformer (not provided)
- built-in thermostat (optional), 3 control knobs included (white, soft white and black) for standard installation, without knob for tamper-proof installation

#### INSTALLATION

- ceiling
- recessed or surface mounted with surface adapter (optional)
- T-Bar adapter (optional)

#### WARRANTY

- three years



ROUNDED CORNERS

#### IDEAL FOR:

entryway, hallway, corridor, office building

## °STELPRO

Stelpro reserves the right to modify at any time the description, manufacturing, or price of its products. Additionally, Stelpro may apply restocking fees or refuse a refund based on one or more of the following criteria: optional color, custom product, assembly with low-demand options. For the latest product information and prices regarding the products, please visit the website [www.stelpro.com](http://www.stelpro.com).



## TECHNICAL SPECIFICATIONS

WITHOUT CONTROL	BUILT-IN THERMOSTAT	240 V CONTROL	24 V CONTROL	POWER		VOLTAGE	MODEL
				WATTS	BTU/H	VOLTS	UNIT
CODE	CODE	CODE	CODE				
ACF1501W	ACF1501TW	---	ACF1501C24W	1500	5119	120	SINGLE
ACF1508W	ACF1508TW	ACF1508CW	ACF1508C24W	1500	5119	208	SINGLE
ACF1502W	ACF1502TW	ACF1502CW	ACF1502C24W	1500/1125	5119/3839	240/208	SINGLE
ACF1507W	ACF1507TW	ACF1507CW	ACF1507C24W	1500	5119	277	SINGLE
---	ACF1505CTW	ACF1505CW	ACF1505C24W	1500	5119	480	SINGLE
ACF2008W	ACF2008TW	ACF2008CW	ACF2008C24W	2000	6825	208	SINGLE
ACF2002W	ACF2002TW	ACF2002CW	ACF2002C24W	2000/1500	6825/5119	240/208	SINGLE
ACF2007W	ACF2007TW	ACF2007CW	ACF2007C24W	2000	6825	277	SINGLE
---	ACF2005CTW	ACF2005CW	ACF2005C24W	2000	6825	480	SINGLE
ACF3008W	ACF3008TW	ACF3008CW	ACF3008C24W	3000	10 238	208	SINGLE
ACF3002W	ACF3002TW	ACF3002CW	ACF3002C24W	3000/2250	10 238/7679	240/208	SINGLE
ACF3007W	ACF3007TW	ACF3007CW	ACF3007C24W	3000	10 238	277	SINGLE
---	ACF3005CTW	ACF3005CW	ACF3005C24W	3000	10 238	480	SINGLE
ACF4008W*	ACF4008TW*	ACF4008CW*	ACF4008C24W*	4000	13 651	208	SINGLE
ACF4002W*	ACF4002TW*	ACF4002CW*	ACF4002C24W*	4000/3000	13 651/10 238	240/208	SINGLE
ACF4007W*	ACF4007TW*	ACF4007CW*	ACF4007C24W*	4000	13 651	277	SINGLE
---	ACF4005CTW*	ACF4005CW*	ACF4005C24W*	4000	13 651	480	SINGLE
---	ACF6008CTW	ACF6008CW	ACF6008C24W	6000	20 476	208	DOUBLE
---	ACF6002TW	ACF6002CW	ACF6002C24W	6000/4500	20 476/15 357	240/208	DOUBLE
---	ACF6007TW	ACF6007CW	ACF6007C24W	6000	20 476	277	DOUBLE
---	ACF6005CTW	ACF6005CW	ACF6005C24W	6000	20 476	480	DOUBLE
---	ACF8008CTW	ACF8008CW	ACF8008C24W	8000	27 302	208	DOUBLE
---	ACF8002CTW	ACF8002CW	ACF8002C24W	8000/6000	27 302/20 476	240/208	DOUBLE
---	ACF8007CTW	ACF8007CW	ACF8007C24W	8000	27 302	277	DOUBLE
---	ACF8005CTW	ACF8005CW	ACF8005C24W	8000	27 302	480	DOUBLE

Consult the optional colors chart or contact your Stelpro representative for all other colors.

\* Dual wattage (4000/2000 W – 13 651/6825 BTU/H)

--- not available

## ACCESSORIES

PRODUCT	DESCRIPTION
WFT1	built-in single pole thermostat [120 V – 600 V] (standard or tamper-proof)
WFT2	built-in double pole thermostat [120 V – 600 V] (standard or tamper-proof)
WFA1W	surface adapter (single unit)
WFA2W	surface adapter (double unit)
WFDIS-30*	disconnect switch kit 600 V/30 A, 2 poles
WFDIS-40*	disconnect switch kit 600 V/40 A, 2 poles/3 poles
WFDIS-60*	disconnect switch kit 600 V/60 A, 2 poles/3 poles
CFTBA1W	T-Bar adapter (single unit)
CFTBA2W	T-Bar adapter (double unit)
WFC24RX*	relay kit without transformer 24 V

\* Factory installed

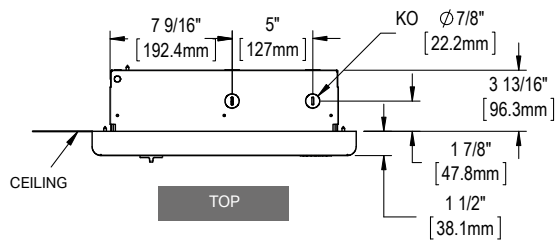
## THROW DISTANCE AND HEAT RISE

UNITS	THROW DISTANCE	HEAT RISE
KW	FT	°F
1.5	13'7"	30
2	13'7"	40
3	13'7"	59
4	13'7"	79
4.8	13'7"	95
6	13'7"	59
8	13'7"	79
9	13'7"	59
12	13'7"	79

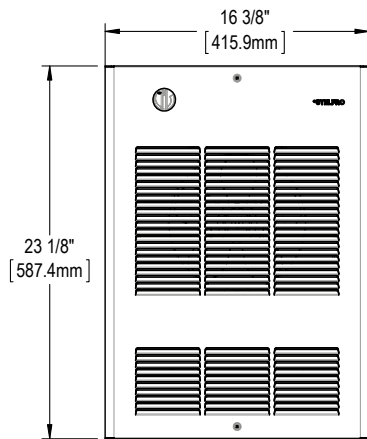
Stelpro reserves the right to modify at any time the description, manufacturing, or price of its products. Additionally, Stelpro may apply restocking fees or refuse a refund based on one or more of the following criteria: optional color, custom product, assembly with low-demand options. For the latest product information and prices regarding the products, please visit the website [www.stelpro.com](http://www.stelpro.com).

# TECHNICAL DRAWINGS

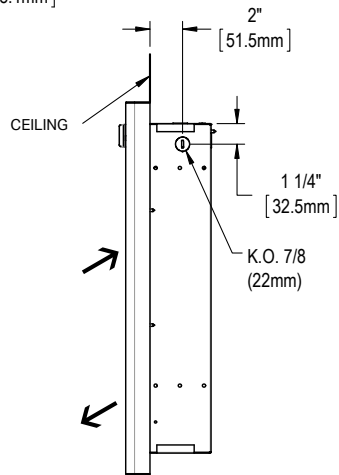
## SINGLE UNIT



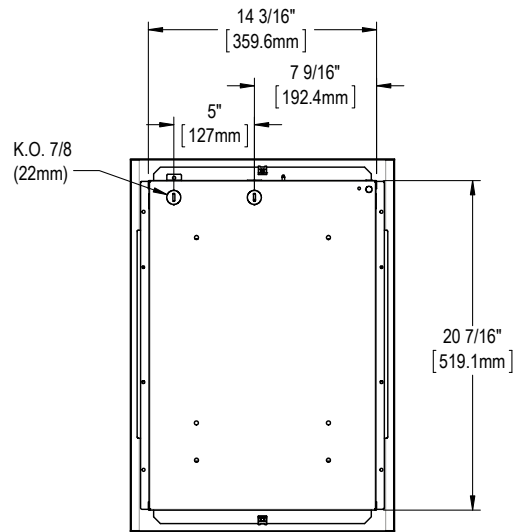
TOP



FRONT

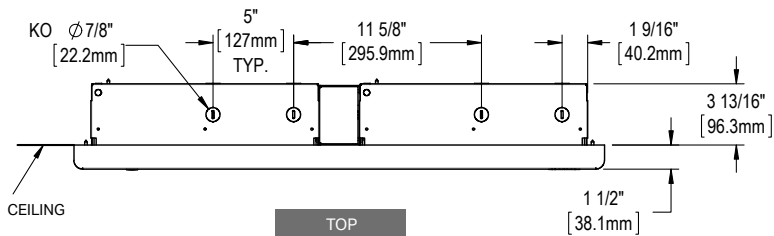


SIDE

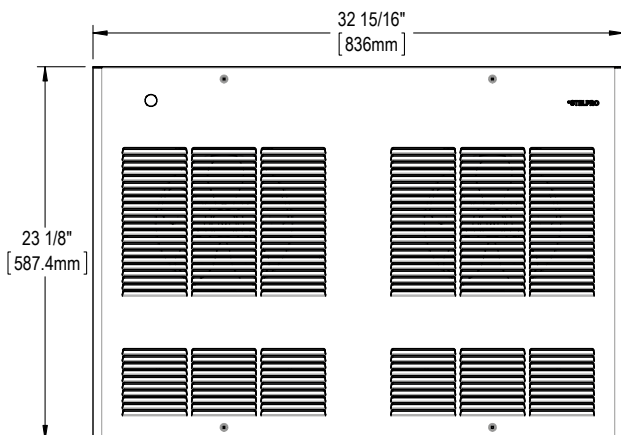


BACK

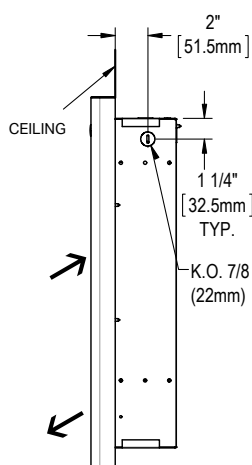
## DOUBLE UNIT



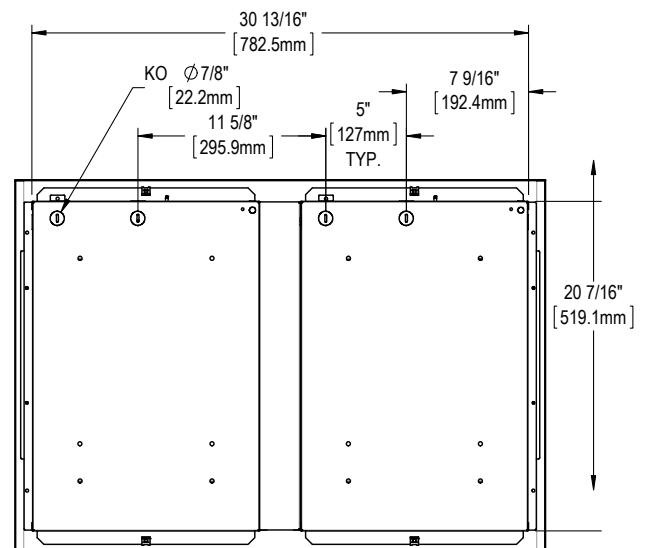
TOP



FRONT



SIDE



BACK



Stelpro reserves the right to modify at any time the description, manufacturing, or price of its products. Additionally, Stelpro may apply restocking fees or refuse a refund based on one or more of the following criteria: optional color, custom product, assembly with low-demand options. For the latest product information and prices regarding the products, please visit the website [www.stelpro.com](http://www.stelpro.com).