

CW750, CW1000

ARCHITECTURAL CABINET



ELEGANCE MEETS POWER

The CW series is a range of high-powered units designed for use in places that require ample heat as well as quiet operation, such as classrooms and museums. When the unit is surface mounted, air enters through the front of the device and exits from the top, ensuring efficient heat dispersion. When the unit is recessed, air enters and exits through the front of the unit instead.

- **INCREDIBLE HEAT DENSITY**
- **ATTRACTIVE EXTRUDED ALUMINUM GRILLE**
- **PERFECT FOR PUBLIC PLACES**
COMMERCIAL SPACES, PUBLIC INSTITUTIONS, ETC.
- **CAN BE RECESSED**

COLOURS

- **standard:** white
- **Orora (optional):** refer to www.stelpro.com/en-CA/Orora

FINISH

- epoxy-polyester powdercoat

MANUFACTURING

- 18-gauge steel cabinet, 16-gauge steel front panel and extruded aluminum grilles with a thickness equivalent to 13 gauge
- front air intake and top air discharge (front inlet and front outlet available*)
- thermal protection with automatic reset
- full-length wireway

ELEMENTS

- three elements (CW750)
- four elements (CW1000)
- three tubular elements, stainless steel sheathed with boxed aluminum fins for improved heat dissipation; the elements are securely fastened at their centres, floating in nylon sleeves at each end, eliminating expansion and contraction noises

CONTROL

- wall thermostat (not included) – the use of an electronic thermostat is strongly recommended
- built-in tamper-proof thermostat accessible without removing front grille, installed in the left or right junction box (optional)
- low voltage relay kit installed in the left or right junction box (optional)

INSTALLATION

- surface mounted or wall recessed* with four-piece trim frame (optional)
- wall or floor mounted with or without pedestal kit (optional)
- wiring compartments at both ends of unit

WARRANTY

- three years

*CW750: Front inlet and front outlet [FF] version is available only in 450-W and 600-W densities per linear foot (see the technical specifications table).

*CW1000: Front inlet and front outlet [FF] version is available only in 600-W and 800-W densities per linear foot (see the technical specifications table).



CW750: This unit is intended for commercial use. Models with a density greater than 450 W/ft. can become very hot.

CW1000: This unit is intended for commercial use. Models with a density greater than 600 W/ft. can become very hot.

IDEAL FOR:

shopping mall, hospital, lobby, corridor

°STELPRO

Stelpro reserves the right to modify at any time the description, manufacturing, or price of its products. Additionally, Stelpro may apply restocking fees or refuse a refund based on one or more of the following criteria: optional color, custom product, assembly with low-demand options. For the latest product information and prices regarding the products, please visit the website www.stelpro.com.



TECHNICAL SPECIFICATIONS

CW750											
DENSITY OF 750 W PER LINEAR FOOT		DENSITY OF 600 W PER LINEAR FOOT		DENSITY OF 450 W PER LINEAR FOOT		VOLTAGE	LENGTH		WEIGHT		PRICE
CODE	WATTS	CODE	WATTS	CODE	WATTS	VOLTS	MM	IN.	KG	LB	
---	1500	CW7506128W*	1200	CW7506098W*	900	208	600	23 5/8	12.7	28	1 133.00
---	1500	CW7506122W	1200	CW7506092W	900	240	600	23 5/8	12.7	28	1 133.00
---	1500	CW7506123W	1200	CW7506093W	900	347	600	23 5/8	12.7	28	1 133.00
---	1500	CW7506126W	1200	CW7506096W	900	600	600	23 5/8	12.7	28	1 133.00
---	2250	CW7509188W*	1800	CW7509138W*	1350	208	900	35 7/16	17.7	39	1 276.00
---	2250	CW7509182W	1800	CW7509132W	1350	240	900	35 7/16	17.7	39	1 276.00
---	2250	CW7509183W	1800	CW7509133W	1350	347	900	35 7/16	17.7	39	1 276.00
---	2250	CW7509186W*	1800	CW7509136W	1350	600	900	35 7/16	17.7	39	1 276.00
---	3000	CW75012248W*	2400	CW75012188W*	1800	208	1200	47 1/4	24	53	1 492.00
---	3000	CW75012242W	2400	CW75012182W	1800	240	1200	47 1/4	24	53	1 492.00
---	3000	CW75012243W	2400	CW75012183W	1800	347	1200	47 1/4	24	53	1 492.00
---	3000	CW75012246W*	2400	CW75012186W	1800	600	1200	47 1/4	24	53	1 492.00
CW75015378W*	3750	CW75015308W*	3000	CW75015228W*	2250	208	1500	59 1/16	29	64	1 635.00
CW75015372W	3750	CW75015302W	3000	CW75015222W	2250	240	1500	59 1/16	29	64	1 635.00
CW75015373W	3750	CW75015303W	3000	CW75015223W	2250	347	1500	59 1/16	29	64	1 635.00
CW75015376W*	3750	CW75015306W*	3000	CW75015226W*	2250	600	1500	59 1/16	29	64	1 635.00
CW75018458W*	4500	CW75018368W*	3600	CW75018278W*	2700	208	1800	70 7/8	33.6	74	1 685.00
CW75018452W	4500	CW75018362W	3600	CW75018272W	2700	240	1800	70 7/8	33.6	74	1 685.00
CW75018453W	4500	CW75018363W	3600	CW75018273W	2700	347	1800	70 7/8	33.6	74	1 685.00
CW75018456W*	4500	CW75018366W*	3600	CW75018276W*	2700	600	1800	70 7/8	33.6	74	1 685.00
CW75021528W*	5250	CW75021428W*	4200	CW75021318W*	3150	208	2100	82 11/16	38.6	85	1 820.00
CW75021522W	5250	CW75021422W	4200	CW75021312W	3150	240	2100	82 11/16	38.6	85	1 820.00
CW75021523W	5250	CW75021423W	4200	CW75021313W	3150	347	2100	82 11/16	38.6	85	1 820.00
CW75021526W*	5250	CW75021426W*	4200	CW75021316W*	3150	600	2100	82 11/16	38.6	85	1 820.00
CW75024608W*	6000	CW75024488W*	4800	CW75024368W*	3600	208	2400	94 1/2	43.5	96	1 958.00
CW75024602W	6000	CW75024482W	4800	CW75024362W	3600	240	2400	94 1/2	43.5	96	1 958.00
CW75024603W	6000	CW75024483W	4800	CW75024363W	3600	347	2400	94 1/2	43.5	96	1 958.00
CW75024606W*	6000	CW75024486W*	4800	CW75024366W*	3600	600	2400	94 1/2	43.5	96	1 958.00
CW1000											
DENSITY OF 1000 W PER LINEAR FOOT		DENSITY OF 800 W PER LINEAR FOOT		DENSITY OF 600 W PER LINEAR FOOT		VOLTAGE	LENGTH		WEIGHT		PRICE
CODE	WATTS	CODE	WATTS	CODE	WATTS	VOLTS	MM	IN.	KG	LB	
---	2000	---	1600	CW10006128W	1200	208	600	23 5/8	15.8	35	1 387.00
---	2000	---	1600	CW10006122W	1200	240	600	23 5/8	15.8	35	1 387.00
---	2000	---	1600	CW10006123W	1200	347	600	23 5/8	15.8	35	1 387.00
---	2000	---	1600	CW10006126W	1200	600	600	23 5/8	15.8	35	1 387.00
CW10009308W	3000	CW10009248W	2400	CW10009188W	1800	208	900	35 7/16	24	53	1 569.00
CW10009302W	3000	CW10009242W	2400	CW10009182W	1800	240	900	35 7/16	24	53	1 569.00
CW10009303W	3000	CW10009243W	2400	CW10009183W	1800	347	900	35 7/16	24	53	1 569.00
CW10009306W	3000	CW10009246W	2400	CW10009186W	1800	600	900	35 7/16	24	53	1 569.00
CW100012408W	4000	CW100012328W	3200	CW100012248W	2400	208	1200	47 1/4	31.3	69	1 752.00
CW100012402W	4000	CW100012322W	3200	CW100012242W	2400	240	1200	47 1/4	31.3	69	1 752.00
CW100012403W	4000	CW100012323W	3200	CW100012243W	2400	347	1200	47 1/4	31.3	69	1 752.00
CW100012406W	4000	CW100012326W	3200	CW100012246W	2400	600	1200	47 1/4	31.3	69	1 752.00
CW100015508W	5000	CW100015408W	4000	CW100015308W	3000	208	1500	59 1/16	38.1	84	1 935.00
CW100015502W	5000	CW100015402W	4000	CW100015302W	3000	240	1500	59 1/16	38.1	84	1 935.00
CW100015503W	5000	CW100015403W	4000	CW100015303W	3000	347	1500	59 1/16	38.1	84	1 935.00
CW100015506W	5000	CW100015406W	4000	CW100015306W	3000	600	1500	59 1/16	38.1	84	1 935.00
CW100018608W	6000	CW100018488W	4800	CW100018368W	3600	208	1800	70 7/8	44.5	98	2 119.00
CW100018602W	6000	CW100018482W	4800	CW100018362W	3600	240	1800	70 7/8	44.5	98	2 119.00
CW100018603W	6000	CW100018483W	4800	CW100018363W	3600	347	1800	70 7/8	44.5	98	2 119.00
CW100018606W	6000	CW100018486W	4800	CW100018366W	3600	600	1800	70 7/8	44.5	98	2 119.00

Consult the optional colours chart or contact your Stelpro representative for all other colours.

Add FF for front air outlet:

CW750 models : available only in 450 W and 600 W densities per linear foot.

CW1000 model : available only in 600 W and 800 W densities per linear foot.

* Add 3 (before the colour code) for three-phase model (available upon request).

Models also available in 277 V and 480 V.

--- not available

ACCESSORIES

PRODUCT	PRICE	PRODUCT	PRICE	DESCRIPTION
CW750T12*	208,00	CW1000T12*	208,00	built-in tamper-proof single pole thermostat
CW750T22*	347,00	CW1000T22*	347,00	built-in tamper-proof double pole thermostat
CW750T33*	461,00	---	---	built-in tamper-proof triple pole thermostat (3 ph)
CW750RE153*	161,00	CW1000RE153*	161,00	built-in electronic low voltage relay [15 A @ 120 V-347 V]
CW750RE156*	220,00	CW1000RE156*	220,00	built-in electronic low voltage relay [6 A @ 600 V]
CW750RE153T*	181,00	CW1000RE153T*	181,00	built-in electronic low voltage relay c/w transformer 24 V [15 A @ 208 V-347 V]
CW750RM240T*	208,00	CW1000RM240T*	208,00	built-in electromechanical relay c/w transformer 24 V [5000 W @ 208 V / 6000 W @ 240 V]
CW750RM347T*	213,00	CW1000RM347T*	213,00	built-in electromechanical relay c/w transformer 24 V [6000 W @ 347 V]
CW750RM347C*	188,00	CW1000RM347C*	188,00	built-in electromechanical relay w/o transformer 24 V [6000 W @ 120 V-347 V]
CW750R841C1151*	253,00	CW1000R841C1151*	272,00	built-in electromechanical relay c/w transformer 24 V [6000 W @ 600 V]
CW750R841D1036*	226,00	CW1000R841D1036*	231,00	built-in electromechanical relay w/o transformer 24 V [6000 W @ 600 V]
PK3W	172,00	PK3W	172,00	pedestal kit (kit of two)
CW750JSW	237,00	CW1000JSW	295,00	joiner strip (2 in. – 51 mm)
CW750TBW	214,00	CW1000TBW	264,00	4-piece trim frame
CW750CBW*	254,00	CW1000CBW*	318,00	clean back (fully finished, no mounting holes or knockouts)

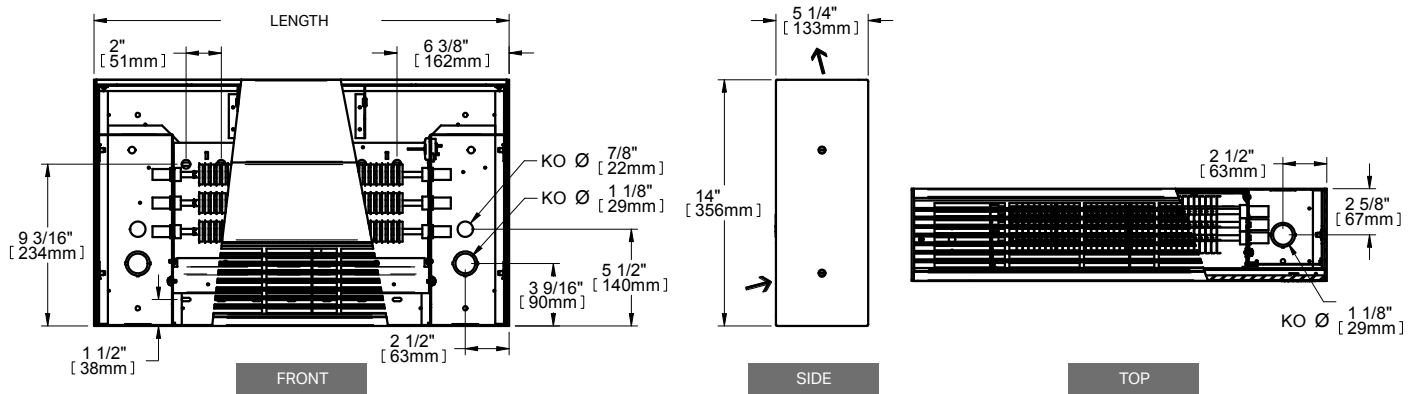
Electronic relays can receive a PWM (pulsed width modulation) or digital (on/off) signal.

* Factory installed. * Factory installation is strongly recommended.

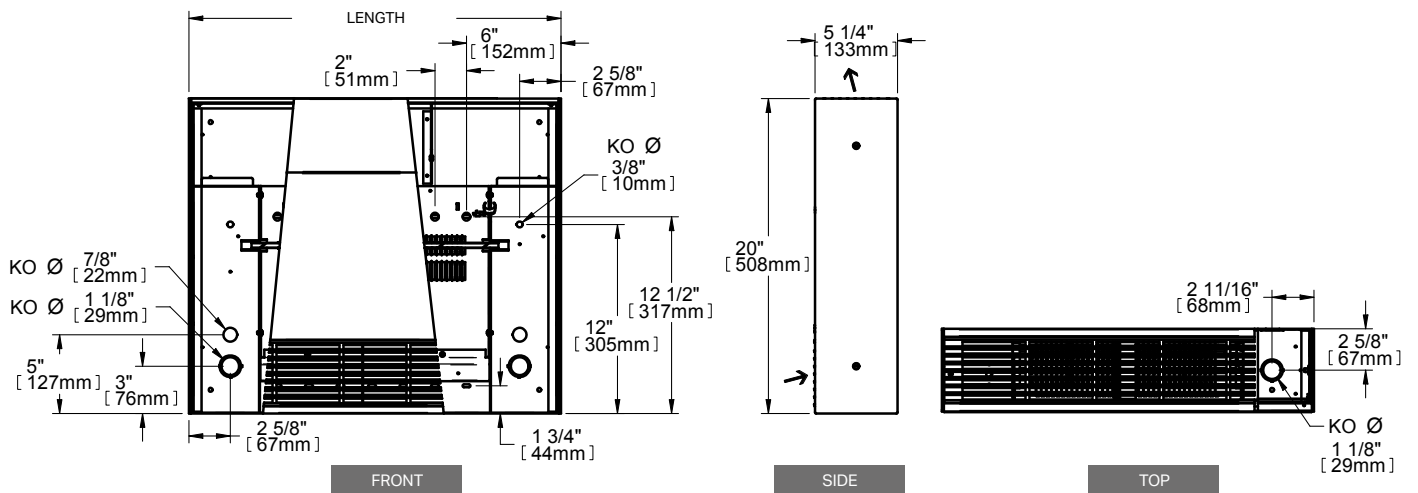
--- Not available

TECHNICAL DRAWINGS

CW750



CW1000





Stelpro reserves the right to modify at any time the description, manufacturing, or price of its products. Additionally, Stelpro may apply restocking fees or refuse a refund based on one or more of the following criteria: optional color, custom product, assembly with low-demand options. For the latest product information and prices regarding the products, please visit the website www.stelpro.com.