

ACW750, ACW1000

ARCHITECTURAL CABINET



ELEGANCE MEETS POWER

The ACW series is a range of high-powered units designed for use in places that require ample heat as well as quiet operation, such as classrooms and museums. When the unit is surface mounted, air enters through the front of the device and exits from the top, ensuring efficient heat dispersion. When the unit is recessed, air enters and exits through the front of the unit instead.

- **INCREDIBLE HEAT DENSITY**
- **ATTRACTIVE EXTRUDED ALUMINUM GRILLE**
- **PERFECT FOR PUBLIC PLACES**
COMMERCIAL SPACES, PUBLIC INSTITUTIONS, ETC.
- **CAN BE RECESSED**

COLORS

- **standard:** white
- **Orora (optional):** refer to stelpro.com/en/orora/

FINISH

- epoxy-polyester powdercoat

MANUFACTURING

- 18-gauge steel cabinet, 16-gauge steel front panel and extruded aluminum grilles with a thickness equivalent to 13 gauge
- front air intake and top air discharge (front inlet and front outlet available*)
- thermal protection with automatic reset
- full-length wireway

ELEMENTS

- three elements (CW750)
- four elements (CW1000)
- tubular elements, stainless steel sheathed with boxed aluminum fins for improved heat dissipation; the elements are securely fastened at their centres, floating in nylon sleeves at each end, eliminating expansion and contraction noises

CONTROL

- wall thermostat (not included) – the use of an electronic thermostat is strongly recommended
- built-in tamper-proof thermostat accessible without removing front grille, installed in the left or right junction box (optional)
- low voltage relay kit installed in the left or right junction box (optional)

INSTALLATION

- surface mounted or wall recessed* with four-piece trim frame (optional)
- wall or floor mounted with or without pedestal kit (optional)
- wiring compartments at both ends of unit

WARRANTY

- three years

* CW750: Front inlet and front outlet [FF] version is available only in 450-W and 600-W densities per linear foot (see the technical specifications table).

* CW1000: Front inlet and front outlet [FF] version is available only in 600-W and 800-W densities per linear foot (see the technical specifications table).



CW750: This unit is intended for commercial use. Models with a density greater than 450 W/ft. can become very hot.

CW1000: This unit is intended for commercial use. Models with a density greater than 600 W/ft. can become very hot.

IDEAL FOR:

shopping mall, hospital, lobby, corridor

°STELPRO

Stelpro reserves the right to modify at any time the description, manufacturing, or price of its products. Additionally, Stelpro may apply restocking fees or refuse a refund based on one or more of the following criteria: optional color, custom product, assembly with low-demand options. For the latest product information and prices regarding the products, please visit the website www.stelpro.com.

TECHNICAL SPECIFICATIONS

CW750											
DENSITY OF 750 W PER LINEAR FOOT			DENSITY OF 600 W PER LINEAR FOOT			DENSITY OF 450 W PER LINEAR FOOT			VOLTAGE	LENGTH	WEIGHT
CODE	WATTS	BTU/H	CODE	WATTS	BTU/H	CODE	WATTS	BTU/H	VOLTS	IN.	LB
---	1500	5119	ACW7506128W*	1200	4095	ACW7506098W*	900	3071	208	23 5/8	28
---	1500	5119	ACW7506122W	1200	4095	ACW7506092W	900	3071	240	23 5/8	28
---	1500	5119	ACW7506127W	1200	4095	ACW7506097W	900	3071	277	23 5/8	28
---	1500	5119	ACW7506125W	1200	4095	ACW7506095W	900	3071	480	23 5/8	28
---	2250	7679	ACW7509188W*	1800	6143	ACW7509138W*	1350	4607	208	35 7/16	39
---	2250	7679	ACW7509182W	1800	6143	ACW7509132W	1350	4607	240	35 7/16	39
---	2250	7679	ACW7509187W	1800	6143	ACW7509137W	1350	4607	277	35 7/16	39
---	2250	7679	ACW7509185W	1800	6143	ACW7509135W	1350	4607	480	35 7/16	39
---	3000	10238	ACW75012248W*	2400	8190	ACW75012188W*	1800	6143	208	47 1/4	53
---	3000	10238	ACW75012242W	2400	8190	ACW75012182W	1800	6143	240	47 1/4	53
---	3000	10238	ACW75012247W	2400	8190	ACW75012187W	1800	6143	277	47 1/4	53
---	3000	10238	ACW75012245W*	2400	8190	ACW75012185W	1800	6143	480	47 1/4	53
ACW75015378W*	3750	12798	ACW75015308W*	3000	10238	ACW75015228W*	2250	7679	208	59 1/16	64
ACW75015372W	3750	12798	ACW75015302W	3000	10238	ACW75015222W	2250	7679	240	59 1/16	64
ACW75015377W	3750	12798	ACW75015307W	3000	10238	ACW75015227W	2250	7679	277	59 1/16	64
ACW75015375W*	3750	12798	ACW75015305W*	3000	10238	ACW75015225W*	2250	7679	480	59 1/16	64
ACW75018458W*	4500	15357	ACW75018368W*	3600	12286	ACW75018278W*	2700	9214	208	70 7/8	74
ACW75018452W	4500	15357	ACW75018362W	3600	12286	ACW75018272W	2700	9214	240	70 7/8	74
ACW75018457W	4500	15357	ACW75018367W	3600	12286	ACW75018277W	2700	9214	277	70 7/8	74
ACW75018455W*	4500	15357	ACW75018365W*	3600	12286	ACW75018275W*	2700	9214	480	70 7/8	74
ACW75021528W*	5250	17917	ACW75021428W*	4200	14333	ACW75021318W*	3150	10750	208	82 11/16	85
ACW75021522W	5250	17917	ACW75021422W	4200	14333	ACW75021312W	3150	10750	240	82 11/16	85
ACW75021527W	5250	17917	ACW75021427W	4200	14333	ACW75021317W	3150	10750	277	82 11/16	85
ACW75021525W*	5250	17917	ACW75021425W*	4200	14333	ACW75021315W*	3150	10750	480	82 11/16	85
ACW75024608W*	6000	20476	ACW75024488W*	4800	16381	ACW75024368W*	3600	12286	208	94 1/2	96
ACW75024602W	6000	20476	ACW75024482W	4800	16381	ACW75024362W	3600	12286	240	94 1/2	96
ACW75024607W	6000	20476	ACW75024487W	4800	16381	ACW75024367W	3600	12286	277	94 1/2	96
ACW75024605W*	6000	20476	ACW75024485W*	4800	16381	ACW75024365W*	3600	12286	480	94 1/2	96
CW1000											
DENSITY OF 1000 W PER LINEAR FOOT			DENSITY OF 800 W PER LINEAR FOOT			DENSITY OF 600 W PER LINEAR FOOT			VOLTAGE	LENGTH	WEIGHT
CODE	WATTS	BTU/H	CODE	WATTS	BTU/H	CODE	WATTS	BTU/H	VOLTS	IN.	LB
---	2000	6825	---	1600	5460	ACW10006128W	1200	4095	208	23 5/8	35
---	2000	6825	---	1600	5460	ACW10006122W	1200	4095	240	23 5/8	35
---	2000	6825	---	1600	5460	ACW10006127W	1200	4095	277	23 5/8	35
---	2000	6825	---	1600	5460	ACW10006125W	1200	4095	480	23 5/8	35
ACW10009308W	3000	10238	ACW10009248W	2400	8190	ACW10009188W	1800	6143	208	35 7/16	53
ACW10009302W	3000	10238	ACW10009242W	2400	8190	ACW10009182W	1800	6143	240	35 7/16	53
ACW10009307W	3000	10238	ACW10009247W	2400	8190	ACW10009187W	1800	6143	277	35 7/16	53
ACW10009305W	3000	10238	ACW10009245W	2400	8190	ACW10009185W	1800	6143	480	35 7/16	53
ACW100012408W	4000	13651	ACW100012328W	3200	10921	ACW100012248W	2400	8190	208	47 1/4	69
ACW100012402W	4000	13651	ACW100012322W	3200	10921	ACW100012242W	2400	8190	240	47 1/4	69
ACW100012407W	4000	13651	ACW100012327W	3200	10921	ACW100012247W	2400	8190	277	47 1/4	69
ACW100012405W	4000	13651	ACW100012325W	3200	10921	ACW100012245W	2400	8190	480	47 1/4	69
ACW100015508W	5000	17064	ACW100015408W	4000	13651	ACW100015308W	3000	10238	208	59 1/16	84
ACW100015502W	5000	17064	ACW100015402W	4000	13651	ACW100015302W	3000	10238	240	59 1/16	84
ACW100015507W	5000	17064	ACW100015407W	4000	13651	ACW100015307W	3000	10238	277	59 1/16	84
ACW100015505W	5000	17064	ACW100015405W	4000	13651	ACW100015305W	3000	10238	480	59 1/16	84
ACW100018608W	6000	20476	ACW100018488W	4800	16381	ACW100018368W	3600	12286	208	70 7/8	98
ACW100018602W	6000	20476	ACW100018482W	4800	16381	ACW100018362W	3600	12286	240	70 7/8	98
ACW100018607W	6000	20476	ACW100018487W	4800	16381	ACW100018367W	3600	12286	277	70 7/8	98
ACW100018605W	6000	20476	ACW100018485W	4800	16381	ACW100018365W	3600	12286	480	70 7/8	98

Consult the optional colours chart or contact your Stelpro representative for all other colours.

Add FF for front air outlet:

CW750 models : available only in 450 W and 600 W densities per linear foot.

CW1000 model : available only in 600 W and 800 W densities per linear foot.

* Add 3 (before the colour code) for three-phase model (available upon request).

Models also available in 277 V and 480 V.

--- not available

ACCESSORIES

PRODUCT	PRODUCT	DESCRIPTION
CW750T12*	CW1000T12*	built-in tamper-proof single pole thermostat
CW750T22*	CW1000T22*	built-in tamper-proof double pole thermostat
CW750T33*	---	built-in tamper-proof triple pole thermostat (3 ph)
CW750RE153*	CW1000RE153*	built-in electronic low voltage relay [15 A @ 120 V-347 V]
CW750RE156*	CW1000RE156*	built-in electronic low voltage relay [6 A @ 600 V]
CW750RE153T*	CW1000RE153T*	built-in electronic low voltage relay c/w transformer 24 V [15 A @ 208 V-347 V]
CW750RM240T*	CW1000RM240T*	built-in electromechanical relay c/w transformer 24 V [5000 W @ 208 V / 6000 W @ 240 V]
CW750RM347T*	CW1000RM347T*	built-in electromechanical relay c/w transformer 24 V [6000 W @ 347 V]
CW750RM347C*	CW1000RM347C*	built-in electromechanical relay w/o transformer 24 V [6000 W @ 120 V-347 V]
CW750R841C1151*	CW1000R841C1151*	built-in electromechanical relay c/w transformer 24 V [6000 W @ 600 V]
CW750R841D1036*	CW1000R841D1036*	built-in electromechanical relay w/o transformer 24 V [6000 W @ 600 V]
CW750DIS6001P*	CW1000DIS6001P*	disconnect switch [30 A @ 600 V] 2 poles
CW750DIS6003P*	CW1000DIS6003P*	disconnect switch [32 A @ 690 V] 3 poles
PK3W	PK3W	pedestal kit (kit of two)
CW750JSW	CW1000JSW	joiner strip (2 in.)
CW750TBW	CW1000TBW	4-piece trim frame
CW750CBW*	CW1000CBW*	clean back (fully finished, no mounting holes or knockouts)

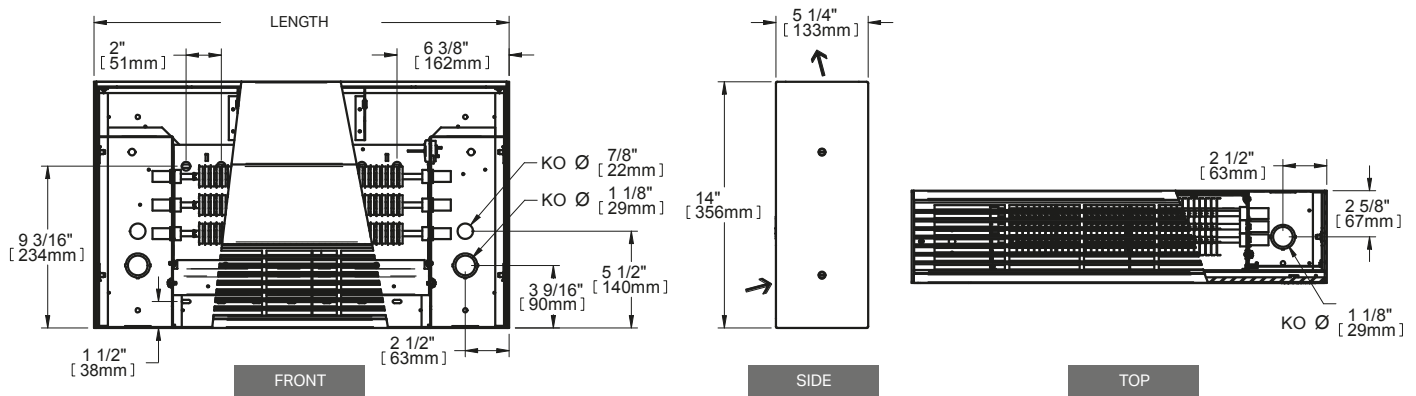
Electronic relays can receive a PWM (pulsed width modulation) or digital (on/off) signal.

* Factory installed. * Factory installation is strongly recommended.

--- Not available

TECHNICAL DRAWINGS

CW750



CW1000

