

# EC – X-PRO

## EXPLOSION-PROOF CONVECTOR



**X-PRO**  
SÉRIE/SERIES

**1**  
YEAR  
WARRANTY

## YOUR ALLY IN HAZARDOUS LOCATIONS

Stelpro's X-pro series explosion-proof convector is the unit best suited to hazardous locations at risk of fire or explosion and is available in many different wattages (from 0.5 kW to 9.5 kW) and voltages (120 V to 600 V). With many controls and options available, this heavy-duty unit is designed to meet all your needs.

### ■ DESIGNED FOR HEATING LOCATIONS CONSIDERED HAZARDOUS

### ■ THREE CLASSIFICATIONS: TWO FOR DANGEROUS GASES AND VAPORS AND ONE FOR PARTICLES OF DUST

### ■ IRIDITE COATING TREATMENT FOR CABINET AVAILABLE FOR NEMA3 WET LOCATIONS (OPTION EC-C1)

### ■ LARGE SELECTION OF MODELS SEVERAL WATTAGES, VOLTAGES AND PHASES

### ■ SLOPED TOP MAKING IT LESS LIKELY TO BE SAT ON OR USED AS A SHELF

### COLOR

- beige

### FINISH

- powdercoat

### MANUFACTURING

- 18-gauge robust galvanized steel cabinet
- corrosion resistant (EC-C1 and EC-C2 options)
- air enters at the bottom of the unit and exits at the top
- thermal protection with automatic reset
- sealed junction box

### ELEMENTS

- copper tube elements with large aluminum fins

### CONTROL

- wall thermostat (optional)
- built-in contactor and transformer included with single-phase units of more than 277 V or more than 22 A and for three-phase units (optional for all other units, except size 1 units)

### INSTALLATION

- wall (wall support included)
- minimum distance from floor: 6 in. (152 mm)
- approved locations:
  - Class I, Divisions 1 and 2, Groups B, C and D
  - Class II, Divisions 1 and 2, Groups E, F and G
  - Class I, Zones 1 and 2, Groups IIB + H2

### WARRANTY

- one year

### IDEAL FOR:

HAZARDOUS ENVIRONMENTS\* SUCH AS:

battery storage area, chemical handling/storage area, coal preparation plant, dry cleaning plant, gasoline storage area, grain elevator, oil refinery, paint spraying/storage area, petrochemical plant

\* Please consult your process engineer for proper class division and groups needed for your application.

**°STELPRO**

Stelpro reserves the right to modify at any time the description, manufacturing, or price of its products. Additionally, Stelpro may apply restocking fees or refuse a refund based on one or more of the following criteria: optional color, custom product, assembly with low-demand options. For the latest product information and prices regarding the products, please visit the website [www.stelpro.com](http://www.stelpro.com).



## OPTIONS AND ACCESSORIES DESCRIPTION

CODE	DESCRIPTION
<b>B2*</b>	<u>ELECTRIC CONTROL (WITHOUT THERMOSTAT)</u> Class I and II, Groups B, C, E, D, F and G, includes a contactor and a transformer (according to specifications). Required for single-phase units of more than 22 A or 277 V and three-phase units.
<b>B2/S1*</b>	<u>THERMOSTAT AND CONTROLS</u> Class I and II, Groups C, D, E, F and G includes a thermostat, a contactor and a transformer (according to specifications).
<b>B3*</b>	<u>THERMOSTAT AND CONTROLS (GROUP B)</u> Class I and II, Groups B, C, D, E, F and G includes a thermostat, a contactor and a transformer (according to specifications). The thermostat has an internal setpoint.
<b>S1*</b>	<u>THERMOSTAT ONLY</u> Class I and II, Groups C, D, E, F and G for single-phase units from maximum 22 A to 120 V-277 V. Use the ST-XPROEC wall thermostat for size 1 units.
<b>S2*</b>	<u>THERMOSTAT ONLY (GROUP B)</u> Class I and II, Groups B, C, D, E, F and G for single-phase units from maximum 22 A to 120 V-277 V. The thermostat has an internal setpoint. Use the ST-XPROEC wall thermostat for size 1 units.
<b>EC-C1*</b>	<u>G90 GALVANIZED STEEL UNIT RESISTANT TO WET AREAS (NEMA 3)</u> G90 galvanized steel cabinet resistant to wet areas with a baked on powder coating. Elements have a chromate coating, and unit has a gasketed terminal box cover (O ring). This option is not available for S1, B2/S1 and S2 thermostat options.
<b>EC-C2*</b>	<u>STAINLESS STEEL UNIT RESISTANT TO WET AND CORROSIVE AREAS (NEMA 3)</u> Stainless steel cabinet resistant to wet and corrosive areas. Elements have a chromate coating, and unit has a gasketed terminal box cover (O ring). This option is not available for S1, B2/S1 and S2 thermostat options.

\* These options are not available for size 1 units.

\* Units ordered with these options require a longer delay in delivery.

## ACCESSORIES

PRODUCT	DESCRIPTION
<b>EC-C1</b>	G90 galvanized steel cabinet resistant to wet areas
<b>EC-C2</b>	stainless steel unit resistant to wet and corrosive areas
<b>ST-XPROEC</b>	wall-mounted 24 V thermostat (with low voltage control option B2) 125-277 V @ 22 A (10-32°C) – groups C, D, E, F and G
<b>ST-XPROEC-1*</b>	wall-mounted 24 V thermostat (with low voltage control option B2) 120-240 V @ 25 A and 277 V @ 22 A (4-48°C) – groups B, C, D, E, F and G
<b>ST-XPROEC-2*</b>	wall-mounted 24 V thermostat resistant to corrosion (with low voltage control option B2) 120-240 V @ 25 A and 277 V @ 22 A (4-48 °C) – groups B, C, D, E, F and G

\* With bulb, capillary and internal setpoint adjustment

CLASS I, DIVISIONS 1 AND 2, GROUPS B, C AND D – CLASS I, ZONES 1 AND 2, GROUP IIB + H2

IGNITION TEMPERATURE CODE: T2A, 536 °F

## TECHNICAL SPECIFICATIONS

PRODUCT	DIMENSION AND WEIGHT*	POWER		VOLTAGE	PHASE	CONTROL INCLUDED	AMPERAGE
CODE		KILOWATTS	BTU/H	VOLTS	NB.		AMPERES
<b>EC254-C0310052B</b>	1	0.5	1706	120	1	---	4.2
<b>EC254-C0310052C</b>	1	0.5	1706	208	1	---	2.4
<b>EC254-C0310052J</b>	1	0.5	1706	240	1	---	2.1
<b>EC254-C0310102B</b>	1	1	3413	120	1	---	8.3
<b>EC254-C0310102C</b>	1	1	3413	208	1	---	4.8
<b>EC254-C0310102J</b>	1	1	3413	240	1	---	4.2
<b>EC254-C0320182B</b>	2	1.8	6143	120	1	---	15.0
<b>EC254-C0320182B-S2</b>	2	1.8	6143	120	1	S2	15.0
<b>EC254-C0320182C</b>	2	1.8	6143	208	1	---	8.7
<b>EC254-C0320182C-S2</b>	2	1.8	6143	208	1	S2	8.7
<b>EC254-C0320182J</b>	2	1.8	6143	240	1	---	7.5
<b>EC254-C0320182J-S2</b>	2	1.8	6143	240	1	S2	7.5
<b>EC254-C0320182U-B2</b>	2	1.8	6143	480	3	B2	2.2
<b>EC254-C0320182U-B3</b>	2	1.8	6143	480	3	B3	2.2

\* Consult the dimensions and weight table

## TECHNICAL SPECIFICATIONS (CONT'D)

PRODUCT CODE	DIMENSION AND WEIGHT*	POWER		VOLTAGE	PHASE	CONTROL INCLUDED	AMPERAGE
		KILOWATTS	BTU/H	VOLTS	NB.		AMPERES
EC254-C0320252C	2	2.5	8532	208	1	---	12.0
EC254-C0320252C-S2	2	2.5	8532	208	1	S2	12.0
EC254-C0320252D-B2	2	2.5	8532	208	3	B2	6.9
EC254-C0320252D-B3	2	2.5	8532	208	3	B3	6.9
EC254-C0320252J	2	2.5	8532	240	1	---	10.4
EC254-C0320252J-S2	2	2.5	8532	240	1	S2	10.4
EC254-C0320252U-B2	2	2.5	8532	480	3	B2	3.0
EC254-C0320252U-B3	2	2.5	8532	480	3	B3	3.0
EC254-C0330362C	3	3.6	12 286	208	1	---	17.3
EC254-C0330362C-S2	3	3.6	12 286	208	1	S2	17.3
EC254-C0330362D-B2	3	3.6	12 286	208	3	B2	10.0
EC254-C0330362D-B3	3	3.6	12 286	208	3	B3	10.0
EC254-C0330362J	3	3.6	12 286	240	1	---	15.0
EC254-C0330362J-S2	3	3.6	12 286	240	1	S2	15.0
EC254-C0330362U-B2	3	3.6	12 286	480	3	B2	4.3
EC254-C0330362U-B3	3	3.6	12 286	480	3	B3	4.3
EC254-C0330442D-B2	3	4.4	15 016	208	3	B2	12.2
EC254-C0330442D-B3	3	4.4	15 016	208	3	B3	12.2
EC254-C0330442J	3	4.4	15 016	240	1	---	18.3
EC254-C0330442J-S2	3	4.4	15 016	240	1	S2	18.3
EC254-C0330442U-B2	3	4.4	15 016	480	3	B2	5.3
EC254-C0330442U-B3	3	4.4	15 016	480	3	B3	5.3
EC254-C0340652D-B2	4	6.5	22 183	208	3	B2	18.1
EC254-C0340652D-B3	4	6.5	22 183	208	3	B3	18.1
EC254-C0340652J-B2	4	6.5	22 183	240	1	B2	27.1
EC254-C0340652J-B3	4	6.5	22 183	240	1	B3	27.1
EC254-C0340652U-B2	4	6.5	22 183	480	3	B2	7.8
EC254-C0340652U-B3	4	6.5	22 183	480	3	B3	7.8
EC254-C0340752D-B2	4	7.5	25 595	208	3	B2	20.8
EC254-C0340752D-B3	4	7.5	25 595	208	3	B3	20.8
EC254-C0340752J-B2	4	7.5	25 595	240	1	B2	31.3
EC254-C0340752J-B3	4	7.5	25 595	240	1	B3	31.3
EC254-C0340752U-B2	4	7.5	25 595	480	3	B2	9.0
EC254-C0340752U-B3	4	7.5	25 595	480	3	B3	9.0
EC254-C0340952D-B2	4	9.5	32 421	208	3	B2	26.4
EC254-C0340952D-B3	4	9.5	32 421	208	3	B3	26.4
EC254-C0340952J-B2	4	9.5	32 421	240	1	B2	39.6
EC254-C0340952J-B3	4	9.5	32 421	240	1	B3	39.6
EC254-C0340952U-B2	4	9.5	32 421	480	3	B2	11.4
EC254-C0340952U-B3	4	9.5	32 421	480	3	B3	11.4

\* Consult the dimensions and weight table

CLASS I, DIVISIONS 1 AND 2, GROUPS B, C AND D – CLASS I, ZONES 1 AND 2, GROUP IIB + H2  
 IGNITION TEMPERATURE CODE: T3A, 356 °F

TECHNICAL SPECIFICATIONS							
PRODUCT	DIMENSION AND WEIGHT*	POWER		VOLTAGE	PHASE	CONTROL INCLUDED	AMPERAGE
CODE		KILOWATTS	BTU/H	VOLTS	NB.		AMPERES
EC254-C0610052B	1	0.5	1706	120	1	---	4.2
EC254-C0610052C	1	0.5	1706	208	1	---	2.4
EC254-C0610052J	1	0.5	1706	240	1	---	2.1
EC254-C0620142B	2	1.4	4778	120	1	---	11.7
EC254-C0620142B-S2	2	1.4	4778	120	1	S2	11.7
EC254-C0620142C	2	1.4	4778	208	1	---	6.7
EC254-C0620142C-S2	2	1.4	4778	208	1	S2	6.7
EC254-C0620142J	2	1.4	4778	240	1	---	5.8
EC254-C0620142J-S2	2	1.4	4778	240	1	S2	5.8
EC254-C0630232B	3	2.3	7849	120	1	---	19.2
EC254-C0630232B-S2	3	2.3	7849	120	1	S2	19.2
EC254-C0630232C	3	2.3	7849	208	1	---	11.1
EC254-C0630232C-S2	3	2.3	7849	208	1	S2	11.1
EC254-C0630232D-B2	3	2.3	7849	208	3	B2	6.4
EC254-C0630232D-B3	3	2.3	7849	208	3	B3	6.4
EC254-C0630232J	3	2.3	7849	240	1	---	9.6
EC254-C0630232J-S2	3	2.3	7849	240	1	S2	9.6
EC254-C0630232U-B2	3	2.3	7849	480	3	B2	2.8
EC254-C0630232U-B3	3	2.3	7849	480	3	B3	2.8
EC254-C0640322C	4	3.2	10 921	208	1	---	15.4
EC254-C0640322C-S2	4	3.2	10 921	208	1	S2	15.4
EC254-C0640322D-B2	4	3.2	10 921	208	3	B2	8.9
EC254-C0640322D-B3	4	3.2	10 921	208	3	B3	8.9
EC254-C0640322J	4	3.2	10 921	240	1	---	13.3
EC254-C0640322J-S2	4	3.2	10 921	240	1	S2	13.3
EC254-C0640322U-B2	4	3.2	10 921	480	3	B2	3.9
EC254-C0640322U-B3	4	3.2	10 921	480	3	B3	3.9
EC254-C0640502D-B2	4	5	17 064	208	3	B2	13.9
EC254-C0640502D-B3	4	5	17 064	208	3	B3	13.9
EC254-C0640502J	4	5	17 064	240	1	---	20.8
EC254-C0640502J-S2	4	5	17 064	240	1	S2	20.8
EC254-C0640502U-B2	4	5	17 064	480	3	B2	6.0
EC254-C0640502U-B3	4	5	17 064	480	3	B3	6.0

\* Consult the dimensions and weight table  
 --- not available

CLASS II, DIVISIONS 1 AND 2, GROUPS E, F AND G  
IGNITION TEMPERATURE CODE: T3C, 320 °F

## TECHNICAL SPECIFICATIONS

PRODUCT CODE	DIMENSION AND WEIGHT*	POWER		VOLTAGE	PHASE	CONTROL INCLUDED	AMPERAGE
		KILOWATTS	BTU/H	VOLTS	NB.		AMPERES
EC254-C0810054B	1	0.5	1706	120	1	---	4.2
EC254-C0810054C	1	0.5	1706	208	1	---	2.4
EC254-C0810054J	1	0.5	1706	240	1	---	2.1
EC254-C0820104B	2	1	3413	120	1	---	8.3
EC254-C0820104B-S2	2	1	3413	120	1	S2	8.3
EC254-C0820104C	2	1	3413	208	1	---	4.8
EC254-C0820104C-S2	2	1	3413	208	1	S2	4.8
EC254-C0820104J	2	1	3413	240	1	---	4.2
EC254-C0820104J-S2	2	1	3413	240	1	S2	4.2
EC254-C0830174B	3	1.7	5802	120	1	---	14.2
EC254-C0830174B-S2	3	1.7	5802	120	1	S2	14.2
EC254-C0830174C	3	1.7	5802	208	1	---	8.2
EC254-C0830174C-S2	3	1.7	5802	208	1	S2	8.2
EC254-C0830174J	3	1.7	5802	240	1	---	7.1
EC254-C0830174J-S2	3	1.7	5802	240	1	S2	7.1
EC254-C0830174U-B2	3	1.7	5802	480	3	B2	2.0
EC254-C0830174U-B3	3	1.7	5802	480	3	B3	2.0
EC254-C0840324C	4	3.2	10 921	208	1	---	15.4
EC254-C0840324C-S2	4	3.2	10 921	208	1	S2	15.4
EC254-C0840324D-B2	4	3.2	10 921	208	3	B2	8.9
EC254-C0840324D-B3	4	3.2	10 921	208	3	B3	8.9
EC254-C0840324J	4	3.2	10 921	240	1	---	13.3
EC254-C0840324J-S2	4	3.2	10 921	240	1	S2	13.3
EC254-C0840324U-B2	4	3.2	10 921	480	3	B2	3.9
EC254-C0840324U-B3	4	3.2	10 921	480	3	B3	3.9

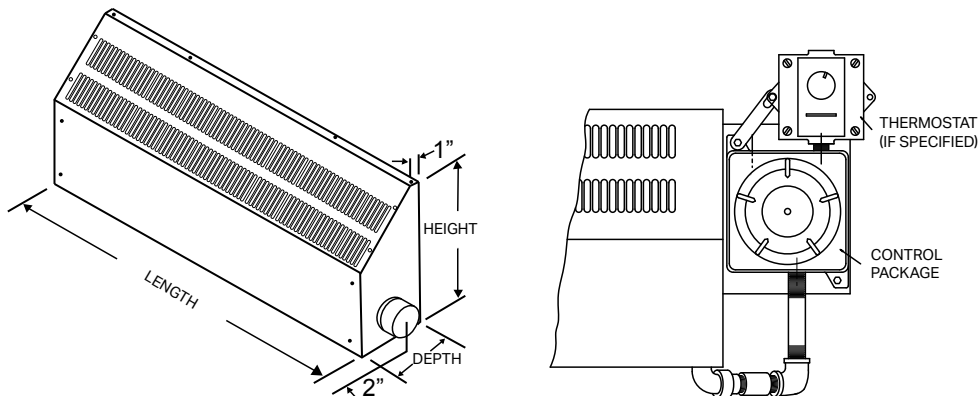
\* Consult the dimensions and weight table  
--- not available

## DIMENSIONS AND WEIGHT

UNIT SIZE	LENGTH	HEIGHT	DEPTH	WEIGHT*
	IN.	IN.	IN.	LB
1	26	6	4.5	13
2	26	16	8	27
3	39	16	8	36
4	67.5	16	8	60

\* Without controls

## TECHNICAL DRAWINGS



Stelpro reserves the right to modify at any time the description, manufacturing, or price of its products. Additionally, Stelpro may apply restocking fees or refuse a refund based on one or more of the following criteria: optional color, custom product, assembly with low-demand options. For the latest product information and prices regarding the products, please visit the website [www.stelpro.com](http://www.stelpro.com).