

RUH – OXFORD™

COMMERCIAL AND RESIDENTIAL UNIT HEATER



OXFORD™
SERIES | SÉRIE



A VERSATILE WORKHORSE

The RUH unit heater is small on price and big on heat. These heavy-duty units are well suited to situations where large amounts of heat must be provided in wide open spaces such as garages, workshops, commercial warehouses and construction sites. This unit has a powerful output up to 5000 W with a voltage of 240/208. The RUH has adjustable louvers that allow you to direct heat right from the source. With or without a built-in thermostat, it provides instant heat. Quiet, lightweight and easy-to-install with a universal wall or ceiling mounting bracket, this unit heater is everything you expect for less. Guaranteed productivity!

- **INSTANT HEAT**
- **ADJUSTABLE LOUVERS ALLOW YOU TO DIRECT HEAT**
- **WALL OR CEILING INSTALLATION SUPPORT BRACKET INCLUDED**
- **CLOSED AND PERMANENTLY LUBRICATED MOTOR**
- **2 KW TO 5 KW MODELS AVAILABLE**

COLOUR

- charcoal

FINISH

- epoxy-polyester powdercoat

MANUFACTURING

- 20-gauge steel cabinet
- closed and permanently lubricated motor
- 350 CFM quiet helicoidal fan
- adjustable louvers
- thermal protection with automatic reset

ELEMENT

- nichrome element produces instant heat

CONTROL

- built-in thermostat (included with T series)
- wall thermostat (not included)

INSTALLATION

- wall or ceiling mounted with universal mounting bracket (included with unit)

WARRANTY

- three years

IDEAL FOR:

construction site, garage, workshop, small commercial space

°STELPRO

Stelpro reserves the right to modify at any time the description, manufacturing, or price of its products. Additionally, Stelpro may apply restocking fees or refuse a refund based on one or more of the following criteria: optional color, custom product, assembly with low-demand options. For the latest product information and prices regarding the products, please visit the website www.stelpro.com.

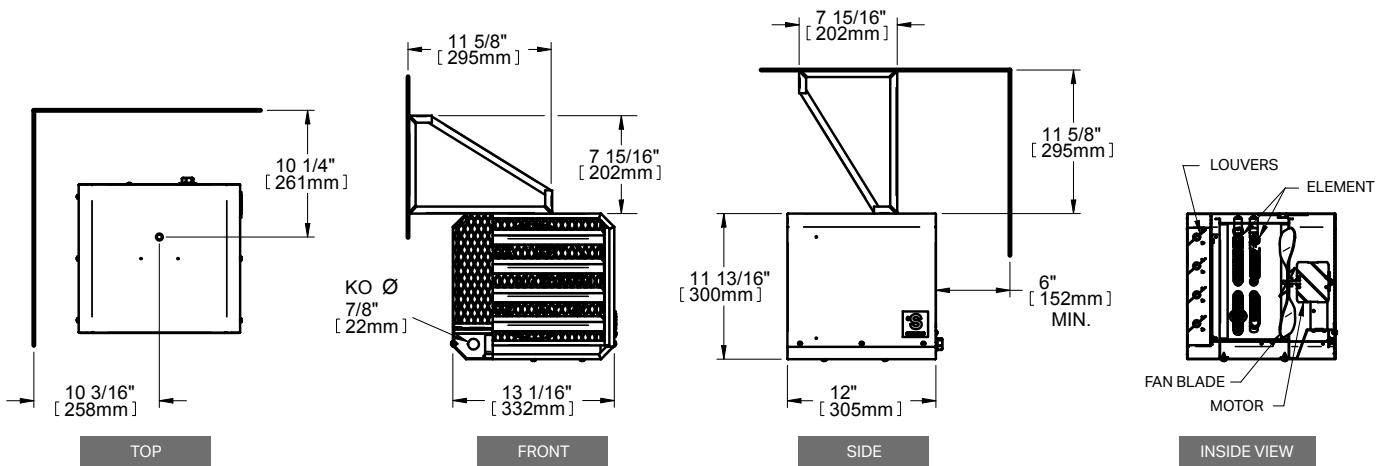




TECHNICAL SPECIFICATIONS

WITHOUT CONTROL		BUILT-IN THERMOSTAT		24 V CONTROL		POWER	VOLTAGE	FLOW	THROW DISTANCE		HEAT RISE		WEIGHT	
CODE	PRICE	CODE	PRICE	CODE	PRICE	WATT S	VOLTS	CFM	M	FT	°C	°F	KG	LB
RUH2CHAR	540.00	RUH2TCHAR	560.00	RUH2C24CHAR	608.00	2000/1500	240/208	350	3	10	10	18	9	20
RUH3CHAR	550.00	RUH3TCHAR	568.00	RUH3C24CHAR	615.00	3000/2250	240/208	350	3	10	15	27	9	20
RUH4CHAR	560.00	RUH4TCHAR	579.00	RUH4C24CHAR	624.00	4000/3000	240/208	350	3	10	20	36	9	20
RUH5CHAR	567.00	RUH5TCHAR	585.00	RUH5C24CHAR	632.00	5000/3750	240/208	350	3	10	25	45	9	20

TECHNICAL DRAWINGS



Stelpro reserves the right to modify at any time the description, manufacturing, or price of its products. Additionally, Stelpro may apply restocking fees or refuse a refund based on one or more of the following criteria: optional color, custom product, assembly with low-demand options. For the latest product information and prices regarding the products, please visit the website www.stelpro.com.