

SHDXL – XLERATOR™

HAND DRYER



XLERATOR

THE STANDARD IN HIGH VELOCITY

The first high velocity hand dryer on the market, the Xlerator sets the standard for quality and performance in its category. The Xlerator dries hands in seconds, making it the ultimate choice in washrooms with high traffic, such as stadiums, arenas and public places. Its reinforced, die-cast zinc alloy shell make it virtually unbreakable. The first choice for LEED® buildings, the Xlerator is the ideal high velocity hand dryer!

- **DRIES HANDS IN ONLY 8 SECONDS†!**
- **LED WARNING LIGHT IN CASE OF PROBLEMS**
- **PERFECT FOR LEED® BUILDINGS**
- **CHOICE OF 5 COLORS AND CUSTOMIZATION WITH YOUR LOGO**

COLOURS

- **standard:** white, white polymer BMC
- **luxurious finish:** chrome, graphite or brushed stainless steel (surcharge)

FINISH

- epoxy-polyester powdercoat

MANUFACTURING

- rib reinforced shell, solidly constructed of die-cast zinc alloy
- lightweight, unbreakable and rustproof
- secured to its supporting wall bracket with two chrome-plated, tamper-proof bolts

SOUND LEVEL

- 71 dBA (81 dBA with hands)

ELEMENT

- nichrome element producing instant heat

CONTROL

- infrared optical sensor located next to the air outlet activates hand dryer
- 35-second lockout feature is activated if hands are not removed before this time

INSTALLATION

- wall mounted

WARRANTY

- five years. *three years on electronic components

† Dry time and energy use testing performed by SGS International on standard XLERATOR Hand Dryer with 0.8 in. nozzle to 0.25 g or less of residual moisture, pursuant to the UL Environment Global Product Category Rules (PCR) for Hand Dryers.

TECHNICAL SPECIFICATIONS

PRODUCT CODE	POWER (WATTS)			VOLTAGE	AMPERAGE	WEIGHT
	ELEMENT	MOTOR	TOTAL	VOLTS	AMPERES	LB
SHDXLAS1	1000	500	1500	120	12.5	16
SHDXLAS2	1000	500	1500	208-240-277	6.5	16









Add W for white, BW for white polymer BMC, CH for chrome, SS for brushed stainless steel or GR for graphite.

°STELPRO

Stelpro reserves the right to modify at any time the description, manufacturing, or price of its products. Additionally, Stelpro may apply restocking fees or refuse a refund based on one or more of the following criteria: optional color, custom product, assembly with low-demand options. For the latest product information and prices regarding the products, please visit the website www.stelpro.com.



FC_SHDXL_US_060824

	ENERGY SAVINGS	AIR SPEED OR AIR FLOW	HEATING POWER	NOISE LEVEL	DRYING TIME
ADJUSTABLE PARAMETERS: HEAT, MOTOR AND RANGE Ideal for: schools, arenas, stadiums and busy public places		 ADJUSTABLE			
					
					
					

*At maximum capacity

RECOMMENDED INSTALLATION HEIGHTS

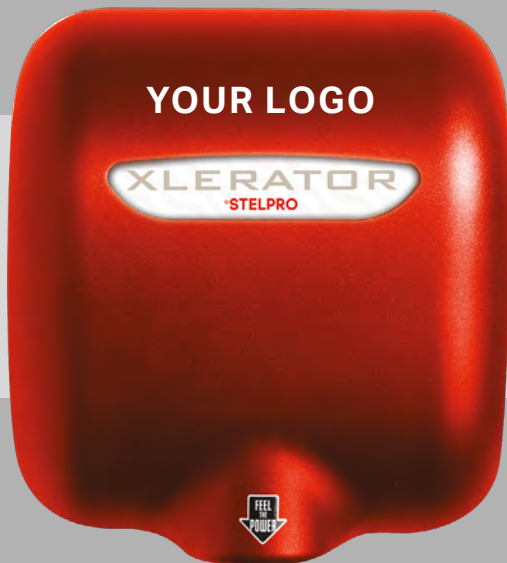
Distance between floor and bottom of hand dryer

MEN	WOMEN	TEENAGERS	CHILDREN	HANDICAPPED
45 in.	43 in.	41 in.	35 in.	37 in.

CHOICE OF 5 COLORS



PERSONALIZATION



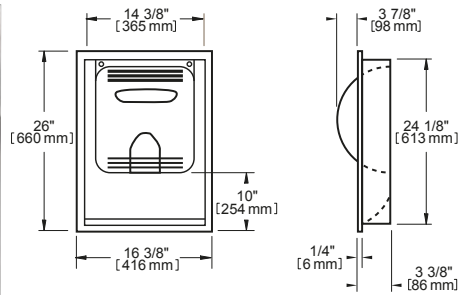
Create a memorable impact by personalizing your hand dryer. Choose your color and have your company logo printed right on the dryer. For more details, contact your Stelpro representative.

ACCESSORIES

PRODUCT	DESCRIPTION
SHDXL-40525	HEPA filter kit
SHDXL-40520	HEPA replacement filter
SHDXL-94	Replacement pre-filter with stainless steel mesh screen
SHDXL-40502	Stainless steel recess kit
SHDXL-89W	Wall guard - white (15 3/4 in. x 31 3/4 in. x 1/16 in.) – set of two
SHDXL-89B	Wall guard - black (15 3/4 in. x 31 3/4 in. x 1/16 in.) – set of two
SHDXL-89S	Wall guard - stainless steel (15 3/4 in. x 31 3/4 in. x 1/16 in.) – set of two

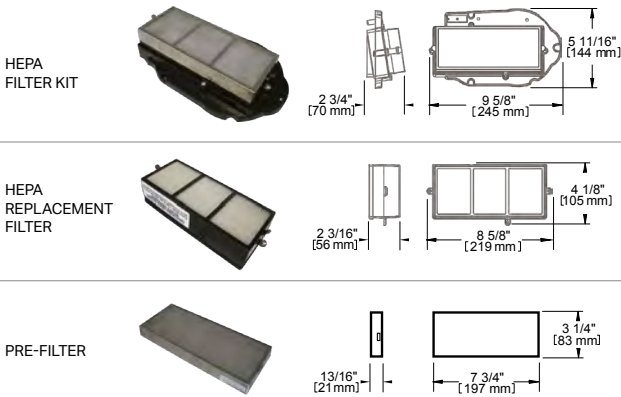
RECESS KIT

The recess kit is comprised of a stainless steel, satin finish wall box and mounting plate. When installed with the recess kit, the XLERATOR takes up less than 4 in. of wall depth, meeting ADA Protrusion Requirements (*Americans with Disabilities Act*).



HEPA FILTRATION SYSTEM

STELPRO offers the only certified HEPA filtration system proven to remove 99.97% of bacteria and particles from the air.

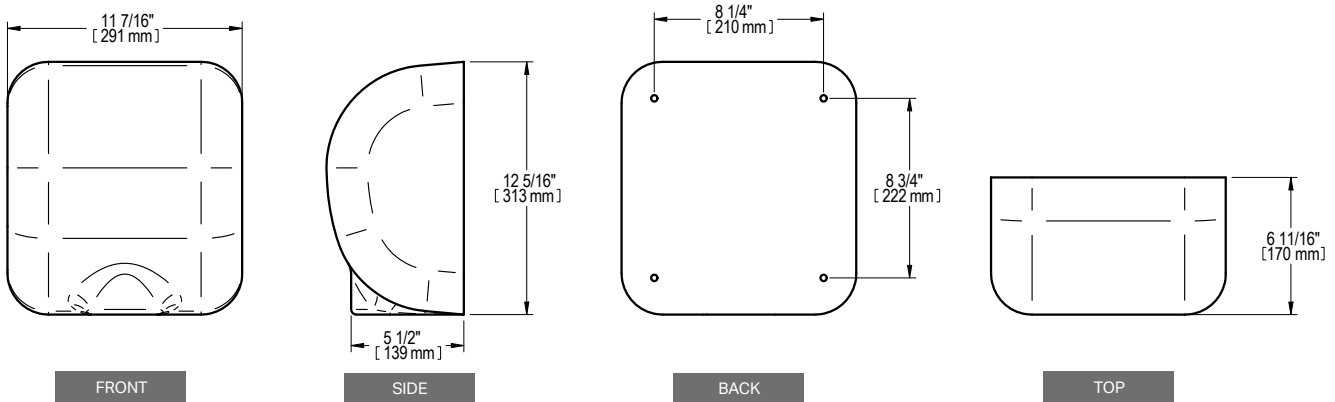


WALL GUARD

The wall guard protects the wall under the hand dryer from drops of water due to wet hands being blown dry, keeping bacteria from forming on the wall.



TECHNICAL DRAWINGS





Stelpro reserves the right to modify at any time the description, manufacturing, or price of its products. Additionally, Stelpro may apply restocking fees or refuse a refund based on one or more of the following criteria: optional color, custom product, assembly with low-demand options. For the latest product information and prices regarding the products, please visit the website www.stelpro.com.