

SK

CEILING FAN HEATER



HEAT FROM ABOVE

The SK ceiling fan heater silently beams down heat from above. This unique model is ideal for rooms where wall space is limited. In bathrooms, the SK can be installed just outside the shower or bathtub. With its ceiling-recessed casing, the SK is an excellent way to provide discreet air circulation. The result: uniform heating and air movement, and reduction in mirror and window fog. By adding a wall timer, you can use it on demand.

- **CEILING MOUNTED**
IDEAL FOR ROOMS WITH LIMITED WALL SPACE
- **HEATING ON DEMAND**
OPTIONAL WALL TIMER
- **COMPACT AND QUIET**
- **347 V MODEL AVAILABLE**

COLOURS

- **standard:** white
- **Orora (optional):** refer to www.stelpro.com/en-CA/Orora

FINISH

- epoxy-polyester powdercoat

MANUFACTURING

- 22-gauge steel cabinet and 1/4 in. (6.4 mm) deep 20-gauge steel front grille
- easy access for maintenance (no screws)

THERMAL PROTECTION

- thermal protection with automatic reset

ELEMENT

- nichrome element produces instant heat

CONTROL

- built-in thermostat (optional)
- wall thermostat (not included) – the use of an electronic thermostat is strongly recommended
- 60 minute timer (optional)

INSTALLATION

- ceiling mounted (recommended height 8 ft., maximum 9 ft.)
- surface mounted with surface adapter (optional)
- recessed or surface mounted with adapter for suspended ceiling (optional)
- unit can be mounted parallel or perpendicular to ceiling beams
- approved to be recessed in mineral wool; for all other materials please check with insulating product manufacturer

WARRANTY

- five years

IDEAL FOR:

bathroom, entryway, daycare centre, room with limited wall space

°STELPRO

Stelpro reserves the right to modify at any time the description, manufacturing, or price of its products. Additionally, Stelpro may apply restocking fees or refuse a refund based on one or more of the following criteria: optional color, custom product, assembly with low-demand options. For the latest product information and prices regarding the products, please visit the website www.stelpro.com.



TECHNICAL SPECIFICATIONS

WITHOUT CONTROL		BUILT-IN THERMOSTAT		24 V CONTROL		POWER	VOLTAGE	FLOW	THROW DISTANCE		HEAT RISE		WEIGHT	
CODE	PRICE	CODE	PRICE	CODE	PRICE	WATTS	VOLTS	CFM	M	FT.	°C	°F	KG	LB
SK0501W	359.00	---	---	---	---	500	120	60	2.4	8	15	26	5	11
SK0508W	359.00	---	---	---	---	500	208	60	2.4	8	15	26	5	11
SK0502W	359.00	---	---	---	---	500/375	240/208	60	2.4	8	15	26	5	11
SK0503W	440.00	SK0503TW	533.00	SK0503C24W	552.00	500	347	60	2.4	8	15	26	5	11
SK0751W	359.00	---	---	---	---	750	120	60	2.4	8	22	39	5	11
SK0758W	359.00	---	---	---	---	750	208	60	2.4	8	22	39	5	11
SK0752W	359.00	---	---	---	---	750/560	240/208	60	2.4	8	22	39	5	11
SK0753W	440.00	SK0753TW	533.00	SK0753C24W	552.00	750	347	60	2.4	8	22	39	5	11
SK1001W	381.00	---	---	---	---	1000	120	60	2.4	8	29	53	5	11
SK1008W	381.00	---	---	---	---	1000	208	60	2.4	8	29	53	5	11
SK1002W	381.00	---	---	---	---	1000/750	240/208	60	2.4	8	29	53	5	11
SK1003W	460.00	SK1003TW	553.00	SK1003C24W	571.00	1000	347	60	2.4	8	29	53	5	11
SK1251W	404.00	---	---	---	---	1250	120	60	2.4	8	37	66	5	11
SK1258W	404.00	---	---	---	---	1250	208	60	2.4	8	37	66	5	11
SK1252W	404.00	---	---	---	---	1250/940	240/208	60	2.4	8	37	66	5	11
SK1253W	482.00	SK1253TW	575.00	SK1253C24W	593.00	1250	347	60	2.4	8	37	66	5	11
SK1501W	415.00	---	---	---	---	1500	120	60	2.4	8	44	79	5	11
SK1508W	415.00	---	---	---	---	1500	208	60	2.4	8	44	79	5	11
SK1502W	415.00	---	---	---	---	1500/1125	240/208	60	2.4	8	44	79	5	11
SK1503W	494.00	SK1503TW	586.00	SK1503C24W	606.00	1500	347	60	2.4	8	44	79	5	11
---	---	---	---	---	---	2000	120	90	3.2	10'6"	39	70	5	11
---	---	---	---	---	---	2000	208	90	3.2	10'6"	39	70	5	11
SK2002W	473.00	---	---	---	---	2000/1500	240/208	90	3.2	10'6"	39	70	5	11
SK2003W	551.00	SK2003TW	643.00	SK2003C24W	662.00	2000	347	90	3.2	10'6"	39	70	5	11

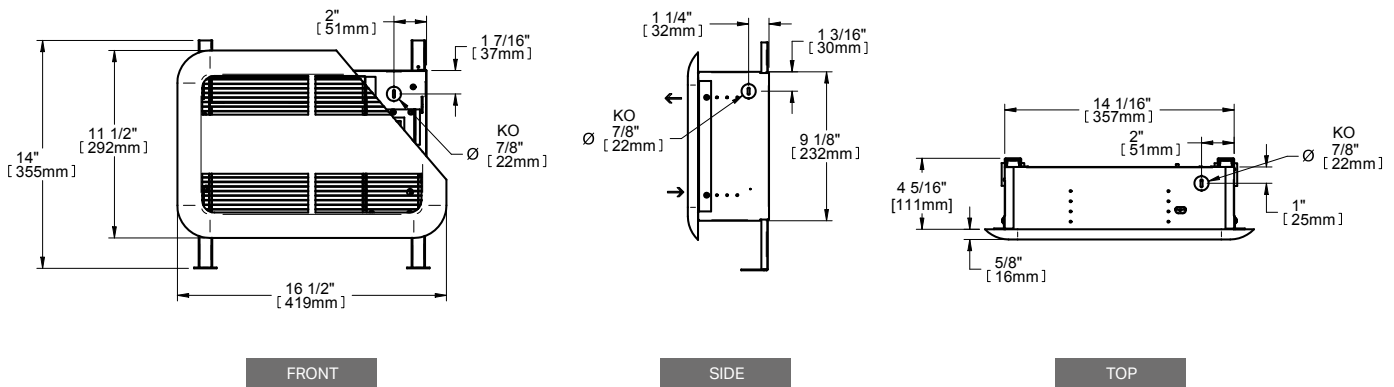
Consult the optional colours chart or contact your Stelpro representative for all other colours.
Models also available in 277 V.
--- not available

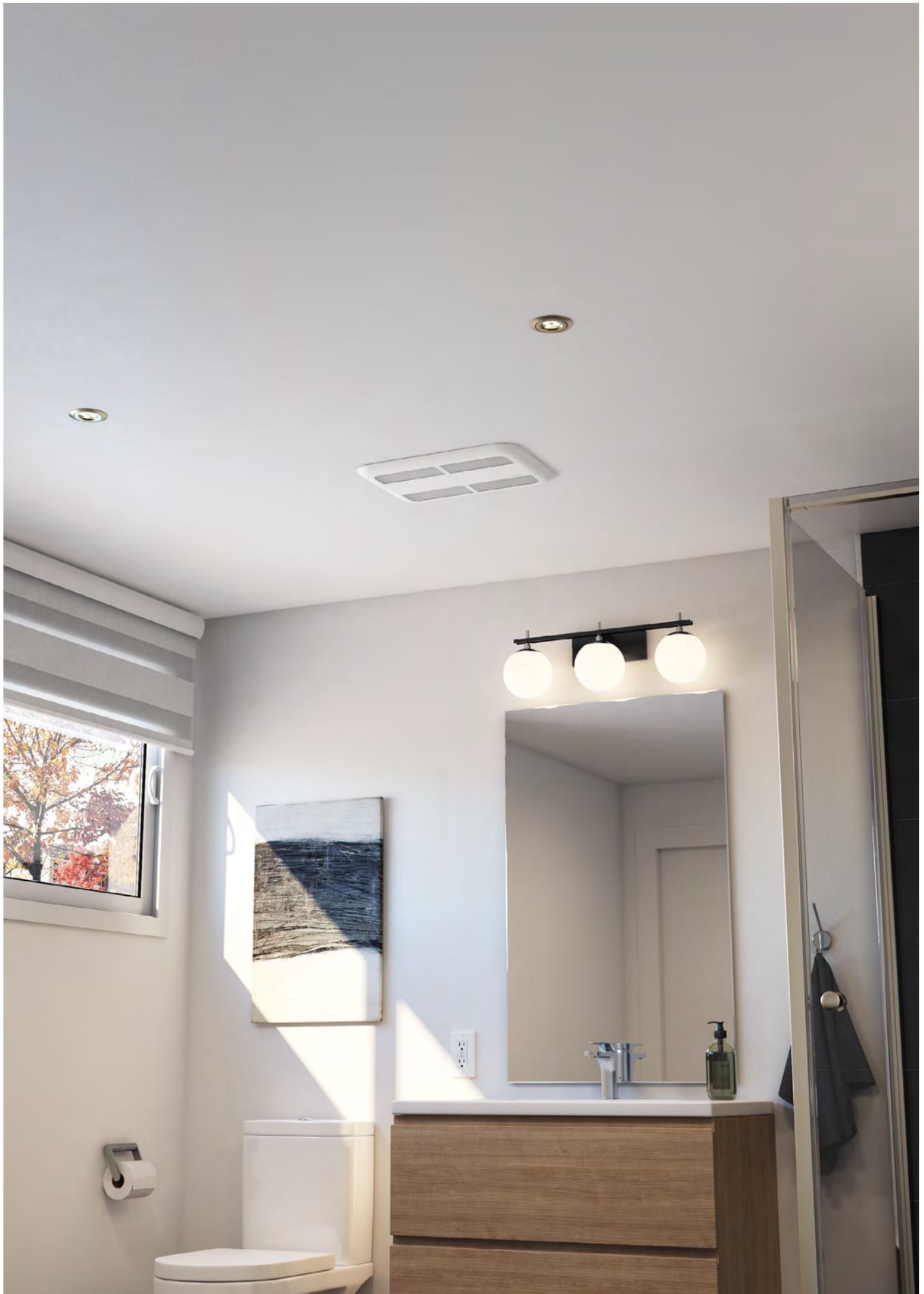
ACCESSORIES

PRODUCT	DESCRIPTION	PRICE
SKT1*	tamper-proof built-in thermostat [120 V-347 V] (grille must be removed to access this type of thermostat)	90.00
SKTBAW	adapter for suspended ceiling (2 ft. x 2 ft.) – recessed or surface mounted with surface adapter (not included)	146.00
SKSAW	surface adapter (SK model)	127.00
FD60MCW70	60 minute wall timer [120 V-277 V]	100.00
SKRE153T*	built-in electronic low voltage relay c/w transformer 24 V [15 A @ 208 V-347 V]	186.00

* Factory installed

TECHNICAL DRAWINGS





Stelpro reserves the right to modify at any time the description, manufacturing, or price of its products. Additionally, Stelpro may apply restocking fees or refuse a refund based on one or more of the following criteria: optional color, custom product, assembly with low-demand options. For the latest product information and prices regarding the products, please visit the website www.stelpro.com.