

SOR – ORLÉANS™

HIGH-END CONVECTOR

ORLÉANS™



INNOVATION THAT MAXIMIZES YOUR COMFORT

With its unique design, the Orléans convector offers a faster temperature rise than any other convector on the market, ensuring optimal comfort in no time at all. The optional built-in thermostat is equipped with the Zigbee protocol and is smart home ready. In addition, the convector is available in optional colours exclusive to Stelpro, colours that will enhance even the simplest decor. Offering energy efficiency, connectivity, an adapted profile and a wide variety of models, the Orléans is now the benchmark for high-end convectors.

- **STYLISH AND COMPACT DESIGN**
30% SLIMMER CONVECTOR†
- **OPTIMUM EFFICIENCY**
25% FASTER TEMPERATURE RISE†
- **BUILT-IN THERMOSTAT AVAILABLE (OPTIONAL)**
- **QUICK AND EASY INSTALLATION**
EXCLUSIVE BRACKET SYSTEM
- **TOTALLY QUIET**

COLOURS

standard: white
Orora (optional): refer to www.stelpro.com/en-CA/Orora

FINISH

- epoxy-polyester powdercoat

MANUFACTURING

- 20-gauge steel cabinet and front
- aluminum grille and sides
- bottom air intake and top air discharge
- the cabinet height improves the chimney effect
- safe, rounded corners
- easy access to controls
- thermal protection with automatic reset

ELEMENTS

- aluminum extrusion
- two X-shaped elements to generate maximum heat

CONTROL

- built-in smart thermostat featuring the Zigbee protocol
- colour-coded feedback for responsible energy consumption
- drastic temperature drop detection (open window function)

INSTALLATION

- surface
- wall mounted at least 4 in. from the floor
- innovative mounting bracket for easy height adjustment
- back entry plate with cable clamps (included)

WARRANTY

- five years, *three years on electronic components

† Compared to similar convectors. Temperature rise is laboratory tested.

PATENTS PENDING




IDEAL FOR:

living room, kitchen, bedroom, office, hallway, basement, commercial space, waiting room, conference room

°STELPRO

Stelpro reserves the right to modify at any time the description, manufacturing, or price of its products. Additionally, Stelpro may apply restocking fees or refuse a refund based on one or more of the following criteria: optional color, custom product, assembly with low-demand options. For the latest product information and prices regarding the products, please visit the website www.stelpro.com.

TECHNICAL SPECIFICATIONS

BUILT-IN THERMOSTAT		WITHOUT THERMOSTAT		POWER	VOLTAGE	LENGTH		WEIGHT	
CODE	PRICE	CODE	PRICE	WATTS	VOLTS	MM	IN.	KG	LB
STANDARD MODEL – HEIGHT OF 17 7/8 IN. (455 MM) 									
SOR0502W	551.00	SOR0502WCW	401.00	500/375	240/208	457	18	4.8	10.7
SOR1002W	587.00	SOR1002WCW	435.00	1000/750	240/208	597	23 1/2	6	13.2
SOR1502W	624.00	SOR1502WCW	470.00	1500/1125	240/208	743	29 1/4	7.2	15.9
SOR2002W	658.00	SOR2002WCW	502.00	2000/1500	240/208	895	35 1/4	9.7	21.4
HIGH MODEL – HEIGHT OF 27 7/8 IN. (708 MM) 									
SORH1002W	640.00	SORH1002WCW	495.00	1000/750	240/208	457	18	6.8	15
SORH1502W	675.00	SORH1502WCW	529.00	1500/1125	240/208	623	24 1/2	8.8	19.4
SORH2002W	709.00	SORH2002WCW	562.00	2000/1500	240/208	768	30 1/4	10.5	23.2
LOW MODEL – HEIGHT OF 13 IN. (330 MM) 									
SORL1002W	640.00	SORL1002WCW	495.00	1000/750	240/208	750	29 1/2	5.2	11.5
SORL1502W	675.00	SORL1502WCW	529.00	1500/1125	240/208	1113	38 7/8	6.9	15.2
SORL2002W	709.00	SORL2002WCW	562.00	2000/1500	240/208	1276	50 1/4	8.3	18.3

Consult the optional colour chart and contact your Stelpro representative for all other colours.
Mechanical wall thermostats are not compatible with the without thermostat model (WC). An electronic thermostat is required.

ACCESSORIES

PRODUCT	DESCRIPTION	PRICE
SORRE153*	built-in electronic low voltage relay [15 A @ 120 V-347 V] for SOR models	117.00
SORHRE153*	built-in electronic low voltage relay [15 A @ 120 V-347 V] for SORH models	117.00
SORLRE153*	built-in electronic low voltage relay [15 A @ 120 V-347 V] for SORL models	117.00
SORRE153T*	built-in electronic low voltage relay c/w transformer 24 V [15 A @ 208 V-347 V] for SOR models	141.00
SORHRE153T*	built-in electronic low voltage relay c/w transformer 24 V [15 A @ 208 V-347 V] for SORH models	141.00
SORLRE153T*	built-in electronic low voltage relay c/w transformer 24 V [15 A @ 208 V-347 V] for SORL models	141.00

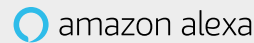
Electronic relays can receive a PWM (pulsed width modulation) or digital (on/off) signal.
* Factory installed

BUILT-IN THERMOSTAT

CONTROL THE TEMPERATURE OF YOUR HOME FROM
YOUR SMARTPHONE OR VOICE ASSISTANT.

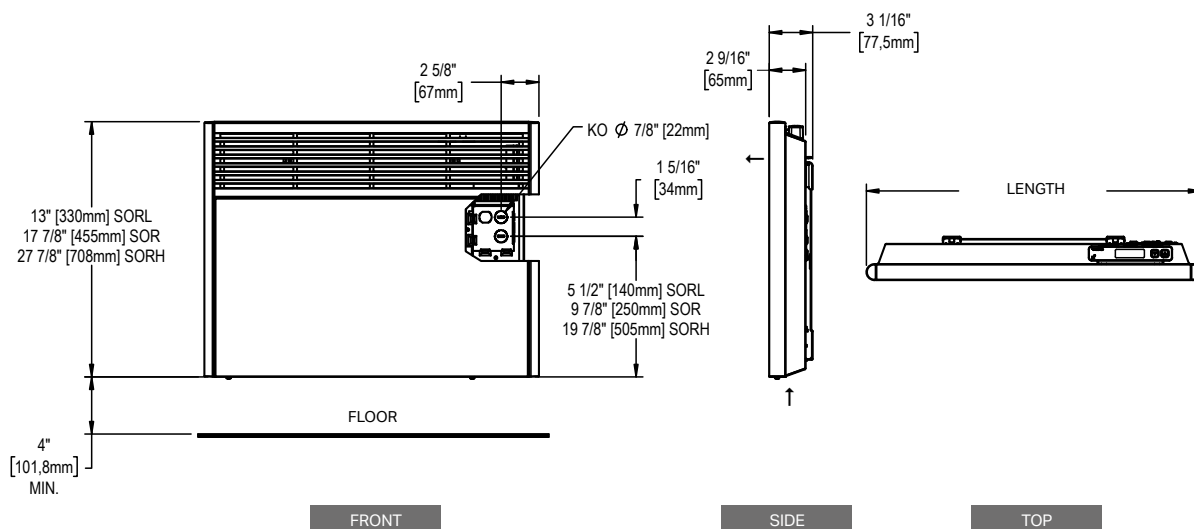


COMPATIBLE
CONTROLLER
REQUIRED



For home automated system compatibilities and instructions on connecting to your thermostat refer to www.stelpro.com.

TECHNICAL DRAWINGS



Stelpro reserves the right to modify at any time the description, manufacturing, or price of its products. Additionally, Stelpro may apply restocking fees or refuse a refund based on one or more of the following criteria: optional color, custom product, assembly with low-demand options. For the latest product information and prices regarding the products, please visit the website www.stelpro.com.



Stelpro reserves the right to modify at any time the description, manufacturing, or price of its products. Additionally, Stelpro may apply restocking fees or refuse a refund based on one or more of the following criteria: optional color, custom product, assembly with low-demand options. For the latest product information and prices regarding the products, please visit the website www.stelpro.com.