

SRP

ARCHITECTURAL RADIANT PANEL



ENVELOPING WARMTH

The Architectural Radiant Panel delivers clean, enveloping, energy-efficient warmth. Designed for easy integration into a T-Bar suspended ceiling, it can also be surface-mounted or recessed using a range of optional accessories.

■ **RADIANT COMFORT**

WHERE YOU NEED IT MOST

A QUIET, DISCREET, AND EFFICIENT CEILING-MOUNTED HEATING SOLUTION.

■ **FREE UP SPACE. KEEP THE COMFORT**

DIRECT RADIANT HEAT WITHOUT TAKING UP FLOOR SPACE.

■ **DIRECT, EVEN WARMTH**

HEATS OCCUPANTS AND SURROUNDING SURFACES WITHOUT AIR CIRCULATION.

■ **BUILT FOR DEMANDING SPACES**

IDEAL FOR OFFSETTING HEAT LOSS OR HEATING AN ENTIRE SPACE.

COLORS

- **standard** : white, black
- **Orora (optional)**: refer to stelpro.com/en/orora/

FINISH

- high-temperature polyester powder coating

MANUFACTURING

- reflective foil bonded to the panel's heating elements
- high-temperature mineral wool insulation, density 2.5 PSF, 1 in (25.4 mm) thick
- the front of the panel is made of 22-gauge painted steel. The panel cover is made of 22-gauge satin-finished steel
- suspension brackets at the four corners of the panel (suspension cable not included)

ELEMENT

- single-conductor heating wire with fluoropolymer insulation evenly distributed across the panel

DENSITY

- 62.5 to 93.75W/ft² at rated voltage

CONTROL

- line-voltage control circuit for thermostat, timer or switch (not included; must be compatible with the appliance's voltage and power rating)

- Stelpro strongly recommends the use of a wall-mounted electronic thermostat for greater comfort

CERTIFICATION

- CSA STD C22.2 No.46. / UL 2021

INSTALLATION

- suspended from the ceiling or fitted into a T-bar suspended ceiling
- a variety of optional accessories is available for surface mounting using an SF frame on a drywall ceiling, or for recessed installation using an RF frame. An RB option is also available for recessed installation in a non-ventilated ceiling
- minimum clearance of 2 in (50.8 mm) above the panel
- minimum installation height of 7 ft (2.13 m) from the floor
- relocation possible

WARRANTY

- 1 year on paintwork, 10 years on components

IDEAL FOR:

commercial and office buildings, hospitals, schools, daycares, private residences

°STELPRO

Stelpro reserves the right to modify at any time the description, manufacturing, or price of its products. Additionally, Stelpro may apply restocking fees or refuse a refund based on one or more of the following criteria: optional color, custom product, assembly with low-demand options. For the latest product information and prices regarding the products, please visit the website www.stelpro.com.

TECHNICAL SPECIFICATIONS

MODELS – STANDARD		VOLTAGE	WIDTH		LENGTH		WEIGHT		PRICE
CODE	WATTS	VOLTS	MM	IN	MM	IN	KG	LB	
SRP0251-2424	250	120	603,25	23 3/4	603,25	23 3/4	7,03	15,5	490.00
SRP0311-2424	310	120	603,25	23 3/4	603,25	23 3/4	7,03	15,5	503.00
SRP0371-2424	375	120	603,25	23 3/4	603,25	23 3/4	7,03	15,5	503.00
SRP0258-2424	250	208	603,25	23 3/4	603,25	23 3/4	7,03	15,5	490.00
SRP0318-2424	310	208	603,25	23 3/4	603,25	23 3/4	7,03	15,5	503.00
SRP0378-2424	375	208	603,25	23 3/4	603,25	23 3/4	7,03	15,5	503.00
SRP0252-2424	250	240	603,25	23 3/4	603,25	23 3/4	7,03	15,5	490.00
SRP0312-2424	310	240	603,25	23 3/4	603,25	23 3/4	7,03	15,5	503.00
SRP0372-2424	375	240	603,25	23 3/4	603,25	23 3/4	7,03	15,5	503.00
SRP0257-2424	250	277	603,25	23 3/4	603,25	23 3/4	7,03	15,5	490.00
SRP0377-2424	375	277	603,25	23 3/4	603,25	23 3/4	7,03	15,5	503.00
SRP0253-2424	250	347	603,25	23 3/4	603,25	23 3/4	7,03	15,5	490.00
SRP0373-2424	375	347	603,25	23 3/4	603,25	23 3/4	7,03	15,5	503.00
SRP0501-2448	500	120	603,25	23 3/4	1212,85	47 3/4	11,34	25	712.00
SRP0621-2448	620	120	603,25	23 3/4	1212,85	47 3/4	11,34	25	721.00
SRP0751-2448	750	120	603,25	23 3/4	1212,85	47 3/4	11,34	25	721.00
SRP0508-2448	500	208	603,25	23 3/4	1212,85	47 3/4	11,34	25	712.00
SRP0628-2448	620	208	603,25	23 3/4	1212,85	47 3/4	11,34	25	721.00
SRP0758-2448	750	208	603,25	23 3/4	1212,85	47 3/4	11,34	25	721.00
SRP0502-2448	500	240	603,25	23 3/4	1212,85	47 3/4	11,34	25	712.00
SRP0622-2448	620	240	603,25	23 3/4	1212,85	47 3/4	11,34	25	721.00
SRP0752-2448	750	240	603,25	23 3/4	1212,85	47 3/4	11,34	25	721.00
SRP0507-2448	500	277	603,25	23 3/4	1212,85	47 3/4	11,34	25	712.00
SRP0757-2448	750	277	603,25	23 3/4	1212,85	47 3/4	11,34	25	721.00
SRP0503-2448	500	347	603,25	23 3/4	1212,85	47 3/4	11,34	25	712.00
SRP0753-2448	750	347	603,25	23 3/4	1212,85	47 3/4	11,34	25	721.00
SRP0361-1448	362	120	349,25	13 3/4	1212,85	47 3/4	7,44	16,4	490.00
SRP0438-1448	438	208	349,25	13 3/4	1212,85	47 3/4	7,44	16,4	503.00
SRP0363-1448	362	347	349,25	13 3/4	1212,85	47 3/4	7,44	16,4	490.00
SRP0458-1460	452	347	349,25	13 3/4	1517,65	59 3/4	9,3	20,5	605.00

¹ Allow for a maximum production time of approximately 4 weeks.
 Standard colors: white or black.
 Add 'BL' to end of code for white, 'NM' for matte black. Ex.: SRP0251W-2424
 Control – See the Relays section



TECHNICAL SPECIFICATIONS

MODELS – FOR DAMP ENVIRONMENTS		VOLTAGE	WIDTH		LENGTH		WEIGHT		PRICE
CODE	WATTS	VOLTS	MM	IN	MM	IN	KG	LB	
SRP0251H-2424	250	120	603,25	23 3/4	603,25	23 3/4	7,03	15,5	637.00
SRP0311H-2424	310	120	603,25	23 3/4	603,25	23 3/4	7,03	15,5	654.00
SRP0371H-2424	375	120	603,25	23 3/4	603,25	23 3/4	7,03	15,5	654.00
SRP0258H-2424	250	208	603,25	23 3/4	603,25	23 3/4	7,03	15,5	637.00
SRP0318H-2424	310	208	603,25	23 3/4	603,25	23 3/4	7,03	15,5	654.00
SRP0378H-2424	375	208	603,25	23 3/4	603,25	23 3/4	7,03	15,5	654.00
SRP0252H-2424	250	240	603,25	23 3/4	603,25	23 3/4	7,03	15,5	637.00
SRP0312H-2424	310	240	603,25	23 3/4	603,25	23 3/4	7,03	15,5	654.00
SRP0372H-2424	375	240	603,25	23 3/4	603,25	23 3/4	7,03	15,5	654.00
SRP0257H-2424	250	277	603,25	23 3/4	603,25	23 3/4	7,03	15,5	637.00
SRP0377H-2424	375	277	603,25	23 3/4	603,25	23 3/4	7,03	15,5	654.00
SRP0253H-2424	250	347	603,25	23 3/4	603,25	23 3/4	7,03	15,5	637.00
SRP0373H-2424	375	347	603,25	23 3/4	603,25	23 3/4	7,03	15,5	654.00
SRP0501H-2448	500	120	603,25	23 3/4	1212,85	47 3/4	11,34	25	926.00
SRP0621H-2448	620	120	603,25	23 3/4	1212,85	47 3/4	11,34	25	937.00
SRP0751H-2448	750	120	603,25	23 3/4	1212,85	47 3/4	11,34	25	937.00
SRP0508H-2448	500	208	603,25	23 3/4	1212,85	47 3/4	11,34	25	926.00
SRP0628H-2448	620	208	603,25	23 3/4	1212,85	47 3/4	11,34	25	937.00
SRP0758H-2448	750	208	603,25	23 3/4	1212,85	47 3/4	11,34	25	937.00
SRP0502H-2448	500	240	603,25	23 3/4	1212,85	47 3/4	11,34	25	926.00
SRP0622H-2448	620	240	603,25	23 3/4	1212,85	47 3/4	11,34	25	937.00
SRP0752H-2448	750	240	603,25	23 3/4	1212,85	47 3/4	11,34	25	937.00
SRP0507H-2448	500	277	603,25	23 3/4	1212,85	47 3/4	11,34	25	926.00
SRP0757H-2448	750	277	603,25	23 3/4	1212,85	47 3/4	11,34	25	937.00
SRP0503H-2448	500	347	603,25	23 3/4	1212,85	47 3/4	11,34	25	926.00
SRP0753H-2448	750	347	603,25	23 3/4	1212,85	47 3/4	11,34	25	937.00
SRP0361H-1448	362	120	349,25	13 3/4	1212,85	47 3/4	7,44	16,4	637.00
SRP0438H-1448	438	208	349,25	13 3/4	1212,85	47 3/4	7,44	16,4	656.00
SRP0363H-1448	362	347	349,25	13 3/4	1212,85	47 3/4	7,44	16,4	637.00
SRP0458H-1460	452	347	349,25	13 3/4	1517,65	59 3/4	9,3	20,5	654.00

¹ Allow for a maximum production time of approximately 4 weeks.
 Standard colors: white or black.
 Add 'BL' to end of code for white, 'NM' for matte black. Ex.: SRP0251HW-2424.
 Control – See the Relays section

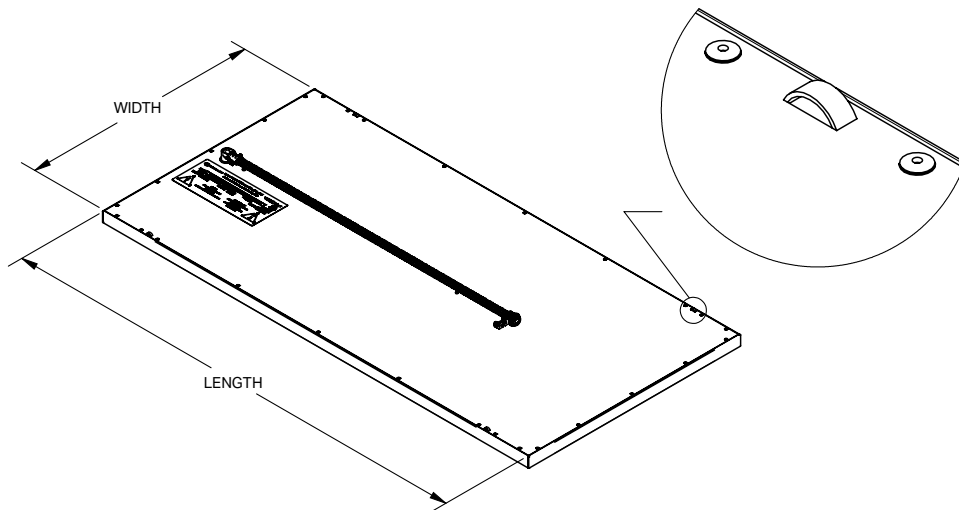
OPTIONS

PRODUCT	DESCRIPTION	PRICE
SRP-TBR1448	Frame for recessed installation on gypsum ceiling, 14 x 48	151.00
SRP-TBR1460	Frame for recessed installation on gypsum ceiling, 14 x 60	156.00
SRP-TBR2424	Frame for recessed installation on gypsum ceiling, 24 x 24	149.00
SRP-TBR2448	Frame for recessed installation on gypsum ceiling, 24 x 48	153.00
SRP-TB1448	Frame for surface installation on gypsum ceiling, 14 x 48	145.00
SRP-TB1460	Frame for surface installation on gypsum ceiling, 14 x 60	145.00
SRP-TB2424	Frame for surface installation on gypsum ceiling, 24 x 48	138.00
SRP-TB2448	Frame for surface installation on gypsum ceiling, 24 x 24	143.00
SRP-RB1448	Non-ventilated ceiling recessed box, 14 x 48	530.00
SRP-RB1460	Non-ventilated ceiling recessed box, 14 x 60	639.00
SRP-RB2424	Non-ventilated ceiling recessed box, 24 x 24	523.00
SRP-RB2448	Non-ventilated ceiling recessed box, 24 x 48	493.00

Add 'BL' to end of code for white, 'NM' for matte black.
 Control – See the Relays section



TECHNICAL DRAWING



PANEL DIMENSIONS

	WIDTH		LENGTH	
	MM	IN	MM	IN
SRPXXX-2424	603.25	23 3/4	603.25	23 3/4
SRPXXX-2448	603.25	23 3/4	1212.85	47 3/4
SRPXXX-1448	349.25	13 3/4	1212.85	47 3/4
SRPXXX-1460	349.25	13 3/4	1517.65	59 3/4