

SRT850 SERIES

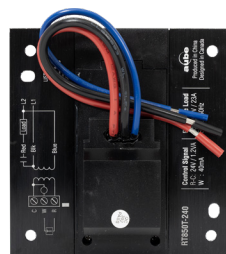
SSR TYPE ELECTRONIC RELAY WITH HEAT SINK



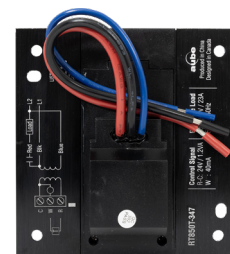
FRONT



SRT850



SRT850T-240



SRT850T-347



- **MAINTAINS THE TEMPERATURE CLOSER TO THE DESIRED SETPOINT FOR GREATER COMFORT AND LOWER ENERGY COSTS**
- **SIMPLE INSTALLATION AND EASY ADJUSTMENT ON A 4" X 4" ELECTRICAL JUNCTION BOX**
- **INTEGRATED HEAT SINK TO DISSIPATE HEAT FROM THE ELECTRONIC RELAY**
- **MORE PRECISE THAN MECHANICAL RELAYS**
- **COMPATIBLE WITH LOW-VOLTAGE THERMOSTATS**
- **NO MAINTENANCE REQUIRED**
NO RISK OF DAMAGE, AS THERE ARE NO MECHANICAL COMPONENTS
- **CAST IN EPOXY**
WHICH PROTECTS THE RELAY AGAINST MOISTURE, EXCESS HEAT AND CONTAMINATED ENVIRONMENTS

CONTROL

- 24 VAC pulse or On/Off signal
- With transformer (SRT850T-240 and SRT850T-347)

CONTROL SIGNAL (NOMINAL)

- AC: 24 V / 32 mA
- DC: 4 to 32 V / 16 mA

TRANSFORMER VALUE

- SRT850T-240
 - 240 VAC = 24 VAC, 2.4 VA
- SRT850T-347
 - 347 VAC = 24 VAC, 2.4 VA

INSTALLATION

- Must be installed in an external junction box

OPERATING TEMPERATURE

- -20° C to 60° C (-4° F to 140° F)

STORAGE TEMPERATURE

- -40° C to 80° C (-40° F to 175° F)

MOUNTING

- 4 mounting holes for 4 11/16" electrical box

TECHNICAL SPECIFICATIONS

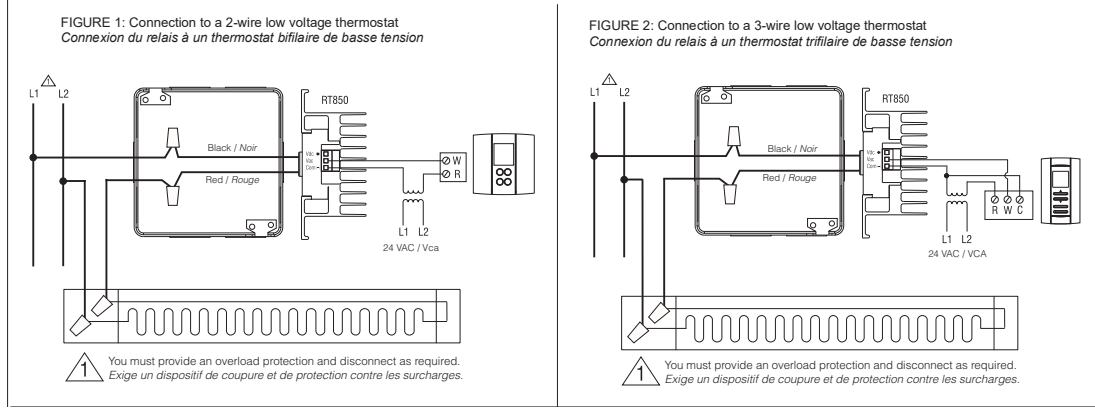
PRODUCT	DESCRIPTION
SRT850	SSR relay with heatsink – 23 A – 120-347 VAC, 1 Phase, 60 Hz
SRT850T-240	SSR relay with heatsink – 23 A – 240 VAC, 2 Phase, 60 Hz with transformer
SRT850T-347	SSR relay with heatsink – 23 A – 347 VAC, 2 Phase, 60 Hz with transformer



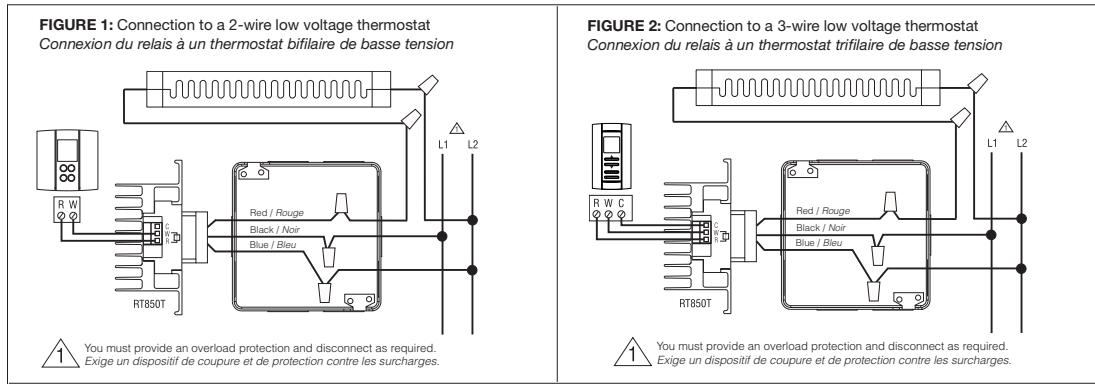
Stelpro reserves the right to modify at any time the description, manufacturing, or price of its products. Additionally, Stelpro may apply restocking fees or refuse a refund based on one or more of the following criteria: optional color, custom product, assembly with low-demand options. For the latest product information and prices regarding the products, please visit the website www.stelpro.com.

CONNECTION AND INSTALLATION

SRT850

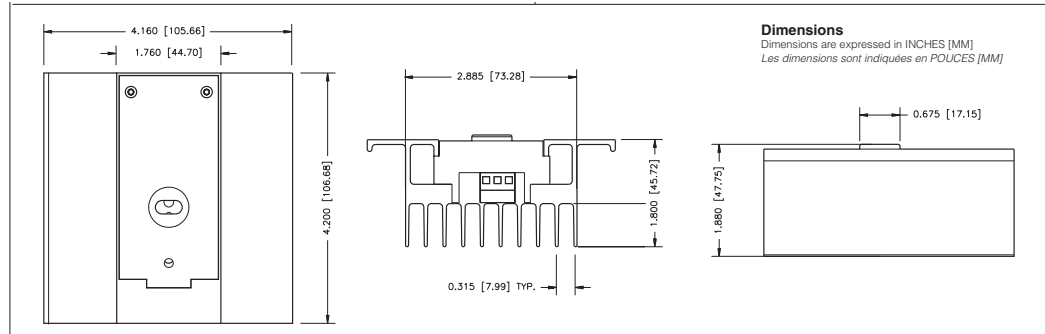


SRT850T-240/347



DIMENSIONS

SRT850



SRT850T-240/347

