

# SWU

## WASHDOWN UNIT HEATER



### RELIABLE, RESISTANT AND SELF-CONTAINED

The Stelpro SWU washdown unit heater is the perfect solution to the problem of comfort heating in environments where moisture and corrosion exist. The washdown heater is corrosion resistant, totally enclosed and watertight making it ideal for industrial heating applications. Available in several wattages (2 kW to 47 kW) and voltages (120 V, 208 V, 240 V and 480 V) this rugged unit will meet your toughest needs.

- **DESIGNED FOR HEATING LOCATIONS WHERE MOISTURE AND CORROSION EXIST**
- **CORROSION-RESISTANT STAINLESS STEEL CONSTRUCTION**
- **WASHABLE**  
WATERTIGHT CONSTRUCTION
- **LARGE SELECTION OF MODELS**  
SEVERAL WATTAGES, VOLTAGES AND PHASES

#### FINISH

- stainless steel

#### MANUFACTURING

- heavy 16-gauge stainless steel housing
- adjustable stainless steel louvers (can be rotated 90°)
- non-metallic control enclosure (meets NEMA 4X hose-down requirements)
- thermal protection with automatic reset

#### MOTOR

- totally enclosed, epoxy-coated and permanently lubricated ball bearing motor
- powder-coated aluminum fan blade

#### ELEMENTS

- industrial grade, type 316 stainless steel tubular elements with stainless steel fins

#### CONTROL

- factory mounted
- housed in a non-metallic enclosure
- includes a thermal protection with automatic reset, fan delay relay, controlling contactor transformer for 24 V control circuit, terminal block for field wiring and a separate motor contactor that can be used when required

#### INSTALLATION

- wall or ceiling mounted with stainless steel swivel mounting bracket (included)
- ceiling mounted with 4 3/8-16 threaded rods (not provided – if the swivel mounting bracket is not required, choose the SWU-B or SWU-B1 options)

#### WARRANTY

- one year

#### IDEAL FOR:

car wash, steel mill and foundry, cement plant, wood finishing plant, dairy, food processing plant, marine installation, power station, wastewater treatment plant, swimming pool area

# °STELPRO

Stelpro reserves the right to modify at any time the description, manufacturing, or price of its products. Additionally, Stelpro may apply restocking fees or refuse a refund based on one or more of the following criteria: optional color, custom product, assembly with low-demand options. For the latest product information and prices regarding the products, please visit the website [www.stelpro.com](http://www.stelpro.com).



# TECHNICAL SPECIFICATIONS

WITHOUT CONTROL	BUILT-IN THERMOSTAT	POWER		VOLTAGE	PHASE	AMPERAGE	MOTOR	APPROX. AIR TEMPERATURE RISE (DELTA ΔT)
		KW	BTU/H	VOLTS	NB.	AMPERES	HP	°F
CODE	CODE							
SWU0211	SWU0211-T	2	6 825	120	1	21	1/4	9
SWU0281	SWU0281-T	2	6 825	208	1	12	1/4	9
SWU0221	SWU0221-T	2	6 825	240	1	11	1/4	9
SWU0311	SWU0311-T	3	10 238	120	1	29	1/4	14
SWU0381	SWU0381-T	3	10 238	208	1	17	1/4	14
SWU0321	SWU0321-T	3	10 238	240	1	15	1/4	14
SWU0351	SWU0351-T	3	10 238	480	1	8	1/4	14
SWU0383	SWU0383-T	3	10 238	208	3	8	1/4	14
SWU0323	SWU0323-T	3	10 238	240	3	11	1/4	14
SWU0353	SWU0353-T	3	10 238	480	3	5	1/4	14
SWU0581	SWU0581-T	5	17 064	208	1	27	1/4	24
SWU0521	SWU0521-T	5	17 064	240	1	23	1/4	24
SWU0551	SWU0551-T	5	17 064	480	1	12	1/4	24
SWU0583	SWU0583-T	5	17 064	208	3	12	1/4	24
SWU0523	SWU0523-T	5	17 064	240	3	16	1/4	24
SWU0553	SWU0553-T	5	17 064	480	3	15	1/4	24
SWU0881	SWU0881-T	7.5	25 595	208	1	39	1/4	35
SWU0821	SWU0821-T	7.5	25 595	240	1	34	1/4	35
SWU0851	SWU0851-T	7.5	25 595	480	1	17	1/4	35
SWU0883	SWU0883-T	7.5	25 595	208	3	23	1/4	35
SWU0823	SWU0823-T	7.5	25 595	240	3	21	1/4	35
SWU0853	SWU0853-T	7.5	25 595	480	3	11	1/4	35
SWU0981	SWU0981-T	9	30 714	208	1	46	1/4	20
SWU0921	SWU0921-T	9	30 714	240	1	40	1/4	20
SWU0951	SWU0951-T	9	30 714	480	1	20	1/4	20
SWU0983	SWU0983-T	9	30 714	208	3	28	1/4	20
SWU0923	SWU0923-T	9	30 714	240	3	24	1/4	20
SWU0953	SWU0953-T	9	30 714	480	3	12	1/4	20
SWU1021	SWU1021-T	10	34 127	240	1	44	1/4	22
SWU1051	SWU1051-T	10	34 127	480	1	22	1/4	22
SWU1083	SWU1083-T	10	34 127	208	3	22	1/4	22
SWU1023	SWU1023-T	10	34 127	240	3	27	1/4	22
SWU1053	SWU1053-T	10	34 127	480	3	14	1/4	22
SWU1251	SWU1251-T	12	40 952	480	1	27	1/4	26
SWU1283	SWU1283-T	12	40 952	208	3	36	1/4	26
SWU1223	SWU1223-T	12	40 952	240	3	32	1/4	26
SWU1253	SWU1253-T	12	40 952	480	3	16	1/4	26
SWU1383	SWU1383-T	12.5	42 659	208	3	37	1/4	17
SWU1323	SWU1323-T	12.5	42 659	240	3	33	1/4	17
SWU1353	SWU1353-T	12.5	42 659	480	3	17	1/4	17
SWU1583	SWU1583-T	15	51 191	208	3	44	1/4	21
SWU1523	SWU1523-T	15	51 191	240	3	39	1/4	21
SWU1553	SWU1553-T	15	51 191	480	3	20	1/4	21
SWU2053	SWU2053-T	20	68 254	480	3	26	1/4	28
SWU2553	SWU2553-T	25	85 318	480	3	32	1/4	35
SWU3053	SWU3053-T	30	102 381	480	3	38	1/4	42
SWU3553	SWU3553-T	35	119 445	480	3	44	1/4	48
SWU3853	SWU3853-T	38.4	131 048	480	3	48	1/4	54

# OPTIONS AND ACCESSORIES

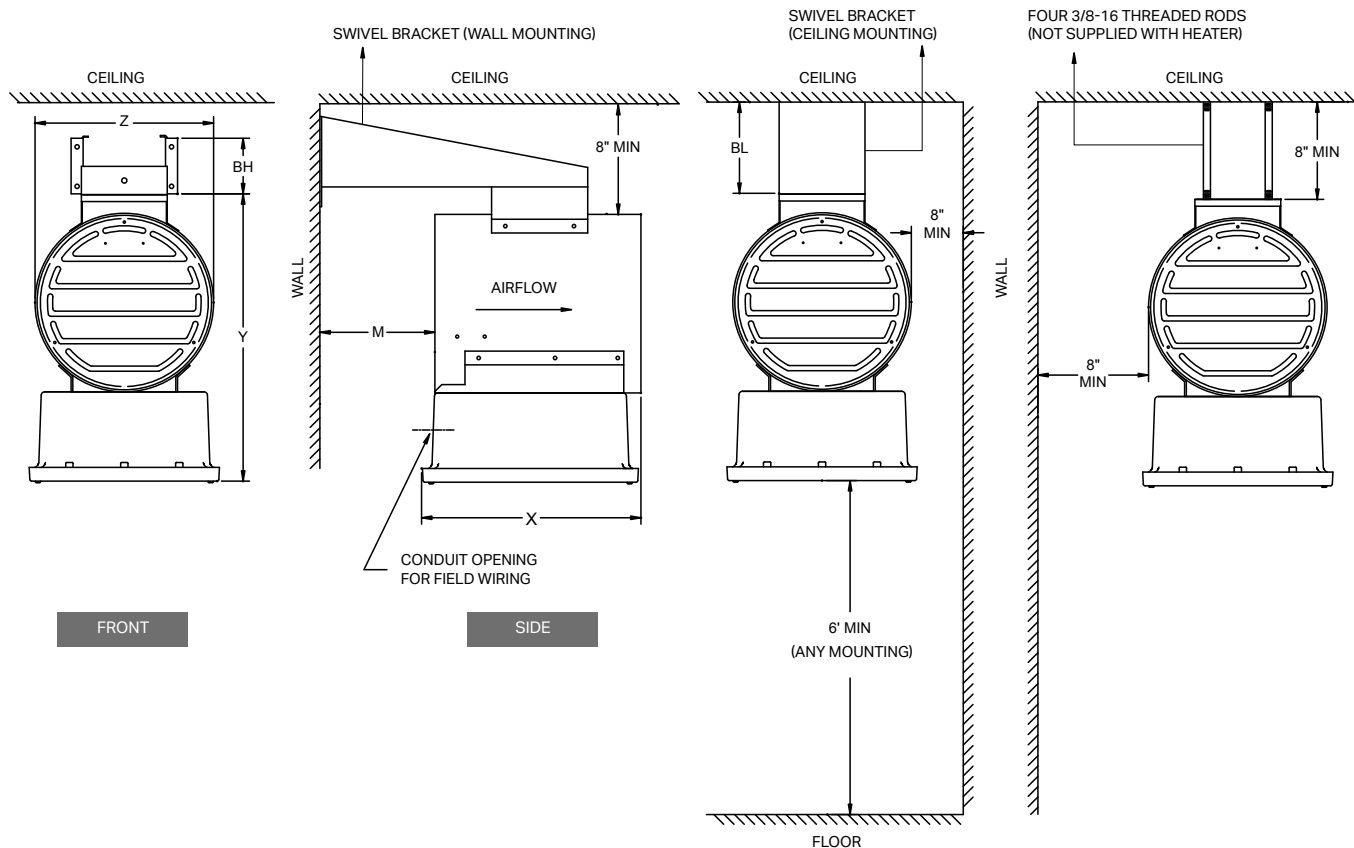
CODE	DESCRIPTION
SWU-B	swivel mounting bracket not included; option when field furnished threaded rods are used for units up to 12 kW
SWU-B1	swivel mounting bracket not included; option when field furnished threaded rods are used for units over 12 kW
SWU-D*	power disconnect switch
SWU-L*	"heater on" pilot light
SWU-M*	secondary manual reset/thermal protection
SWU-S*	three-position selector switch (heater-standby-fan)
SWU-V*	120 volt control circuit
SWUT1	washdown/corrosion resistant wall-mounted thermostat for non-hazardous locations 4°C-38°C (40°F-100°F) range
SWU-E*	monel finned tubular elements (up to 20 kW)
SWU-E1*	monel finned tubular elements (25 kW to 47 kW)

\* Factory installed

# DIMENSIONS, AIRFLOWS AND WEIGHT

		FROM 2 TO 7.5 kW	FROM 7.6 TO 12 kW	FROM 12.1 TO 47 kW
OVERALL HEATER DIMENSIONS	"X" INCH	15.5	15.5	26
	"Y" INCH	21.5	21.5	28
	"Z" INCH	13	13	20
MOUNTING HOLE DIMENSIONS	"BH" INCH	4.25	4.25	7.125
	"BL" INCH	19.5	19.5	22.25
	"M" INCH	8.5	8.5	3.25
AIRFLOW CHARACTERISTICS	AIR VOLUME CFM	700	1450	2400
	AIR THROW FEET	26	43	50
	OUTLET VELOCITY FPM	760	1575	1200
WEIGHT	NET LB	56	56	115
	SHIPPING LB	70	70	130

# TECHNICAL DRAWINGS AND INSTALLATION





Stelpro reserves the right to modify at any time the description, manufacturing, or price of its products. Additionally, Stelpro may apply restocking fees or refuse a refund based on one or more of the following criteria: optional color, custom product, assembly with low-demand options. For the latest product information and prices regarding the products, please visit the website [www.stelpro.com](http://www.stelpro.com).