

## UCH SERIES PORTABLE HEATER

### SAFETY FIRST!

Versatility at its best, the UCH portable heater is the perfect choice for construction sites or areas requiring temporary and efficient heating. Housing the safest heating element on the market today, this new generation of portable heaters has been redesigned to ensure your peace of mind!



**MORE EFFICIENT!**  
EFFICIENT NICHROME ELEMENT ENSURES  
INSTANT HEAT AT STARTUP

**INCREASED COMFORT**  
250 CFM'S PRODUCES HOTTER AIR  
AT THE OUTLET

**IDEAL FOR:**  
GARAGE, WORKSHOP, JOB SITE

**COLOUR**

orange

**FINISH**

epoxy-polyester powdercoat

**MANUFACTURING**

- 20-gauge steel cabinet
- sturdy handle for portability that also serves as cord rack
- 2 m (6 ft.) 12 awg molded cable with 3-prong grounded, 30 A 250 V plug
- thermal protection with automatic reset

**MOTOR**

250 CFM fan

**ELEMENT**

- nichrome element ensures increased comfort
- cone-shaped to concentrate the air around the element

**CONTROL**

built-in thermostat

**INSTALLATION**

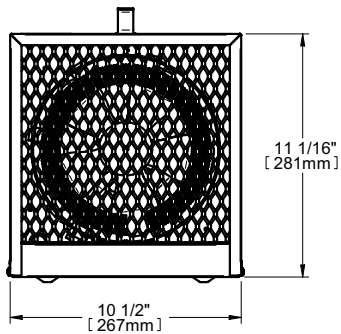
connects to a standard 30 A 250 V grounded receptacle



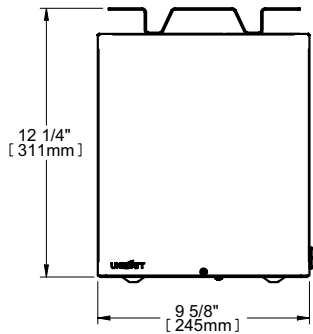
## TECHNICAL SPECIFICATIONS

PRODUCT	PRICE	POWER		VOLTAGE	CONNECTION	COLOUR	WEIGHT	
CODE		WATTS	BTU/H	VOLTS			KG	LB
<b>UCH48T</b>	<b>151.00</b>	4800/3600	<b>16382/12285</b>	240/208	30 A 250 V plug	orange	5.9	13

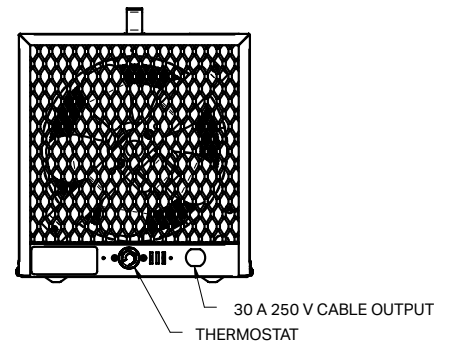
## TECHNICAL DRAWINGS



FRONT



SIDE



BACK