



SONOMATM
IT'S GOT BRAINS. AND LOOKS.

INSTALLATION GUIDE

ASSOSA SURFACE ADAPTER

ASSO SERIES
ASSOS SERIES

IMPORTANT INSTRUCTIONS

The surface adapter is for use in cases the fan heater cannot be installed in-wall. It is compatible with Sonoma and Sonoma Style models only. There are two knock out locations for quick and easy installation with surface-mounted power cable & conduit.

During surface installation, the surface adapter serves as a back box, and the latter must not be installed. Any references to the back box for subsequent steps in the Sonoma owner's manual should be interpreted as referring to the surface adapter.

Before beginning installation, refer to the *Important instructions* section in your Sonoma owner's manual.

WHAT IS IN THE BOX

- Surface adapter

TOOLS AND MATERIAL REQUIRED

- Level
- Electrical fitting
- Wire conduit
- Screwdriver
- 4 screws and suitable supports to hold the device's weight based on the wall finishing
- Tools to install the supports, as needed



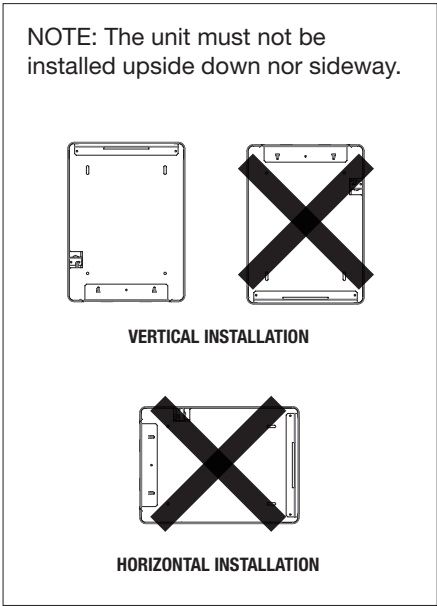
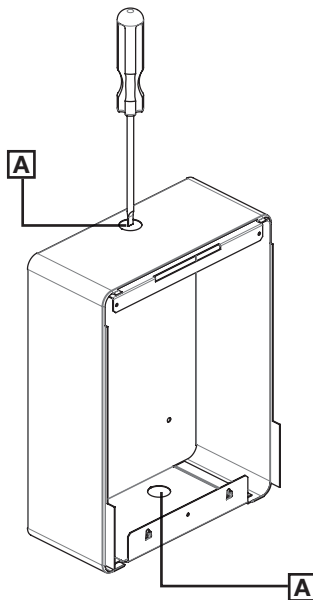
CUTTING THE POWER SUPPLY

To protect yourself from the risk of electric shock, turn off the power to the lead wires from the electrical panel.

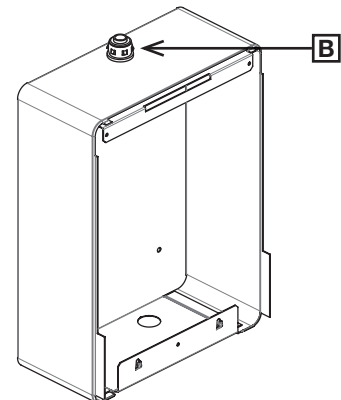
1 PREPARING FOR ELECTRICAL CONNEXION

1. Remove **one** of the two knock-outs [A].

NOTE: If the power cable comes from inside the wall, a hole can be drilled in the back of the surface adapter using proper tools.



2. Insert fitting* [B] in the hole and secure it in place.

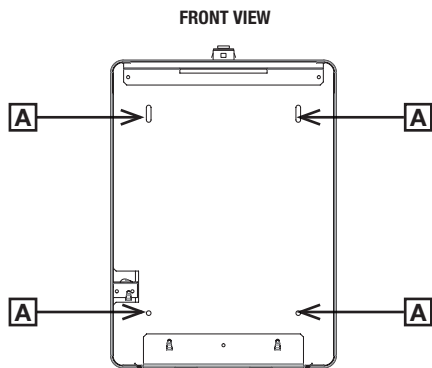


*Electrical fitting not included

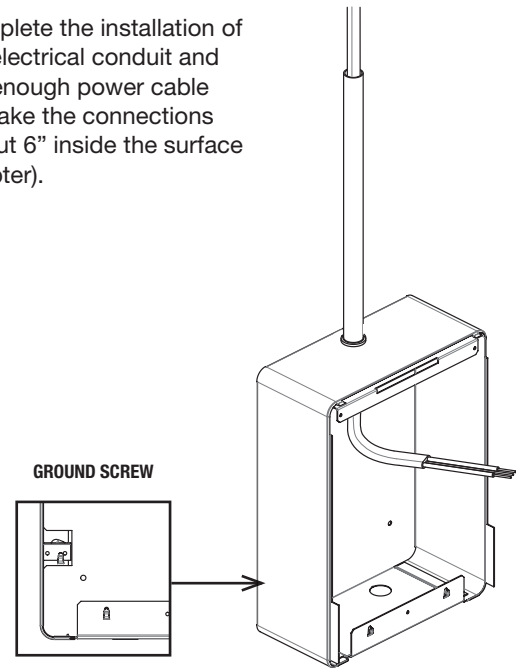
2

INSTALLING THE SURFACE ADAPTER

1. Position the unit at the desired location level on the wall, making sure to respect the clearances indicated in **Where to install your fan heater** section in the owner's manual.
2. Mark the holes **[A]** on the wall.
3. Attach the surface adapter to the wall using supports and screws (not included) suitable to hold the device's weight based on the wall finishing.



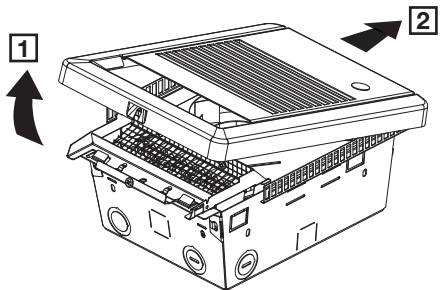
4. Complete the installation of the electrical conduit and run enough power cable to make the connections (about 6" inside the surface adapter).



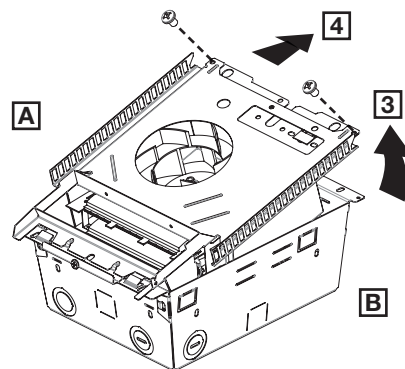
3

PREPARING THE FAN HEATER

1. Pivot the fan heater's front panel toward the top of the unit **[1]** and slide it up. Remove the front panel completely **[2]** and place it on a clean surface where it won't be damaged.



2. Remove the two screws. Keep the screws with the front panel.
3. Lift the top **[3]** of the mechanical housing **[A]** and slide it **[4]** to remove it from the back box **[B]** **which is no longer required.**



The surface adapter serves as a back box, and the latter must not be installed. Any references to the back box for subsequent steps in the Sonoma owner's manual should be interpreted as referring to the surface adapter.

Continue with the *Selecting the power* installation step in the Sonoma owner's manual.