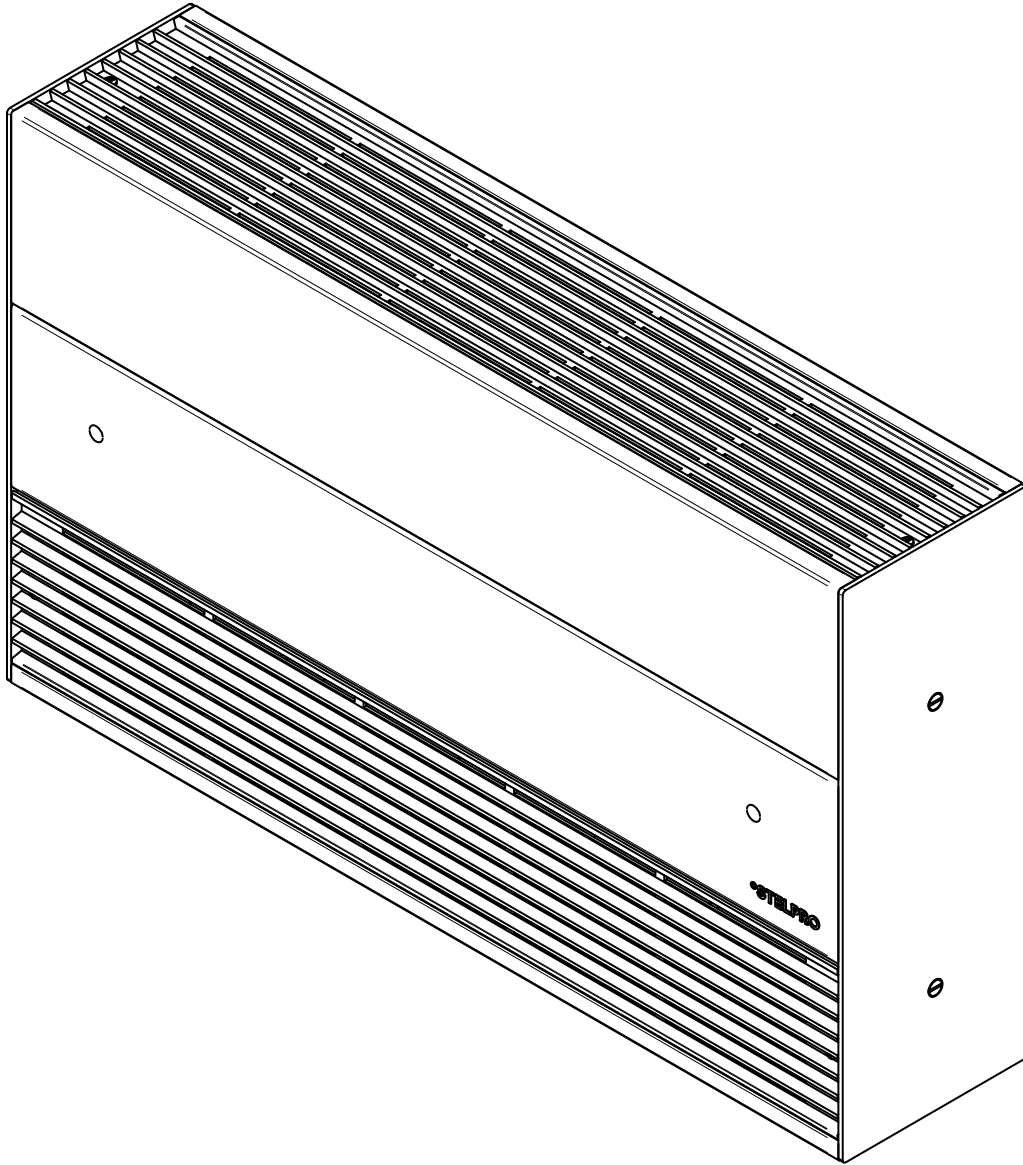




USER'S GUIDE

CW750 SERIES ARCHITECTURAL CABINET

REPLACEMENT COMPONENT LIST INCLUDED



This unit
complies with
the CSA
standards



WARNING

IMPORTANT INSTRUCTIONS

Before installing and operating this product, the user and/or installer must read, understand and follow these instructions and keep them handy for future reference. If these instructions are not followed, the warranty will be considered null and void and the manufacturer deems no further responsibility for this product.

This product must be installed by a qualified person and connected by a **certified electrician**, according to the **electrical and building codes** effective in your region.

The following instructions must be adhered to in order to avoid personal injuries or property damages, serious injuries and potentially fatal electric shocks.

Protect the heating unit with the appropriate circuit breaker or fuse, in accordance with the nameplate.

Make sure the line voltage (volt) is consistent with that indicated on the unit's nameplate.

This unit must be **grounded**.

Switch off the power at the circuit breaker/fuse before installing, repairing and cleaning the unit.

Make sure the unit is appropriate for the intended use (if needed, refer to the product catalog or a representative). Use this heater only as described in this manual. Any other use not recommended by the manufacturer may cause fire, electric shock, or injury to persons. Do not use outdoors.

RECOMMENDED HEATING CAPACITY:

1.25 W/cubic foot (0.03 m³).

It corresponds to **10 W/square foot (0.09 m²)** based on a standard ceiling height of 8 feet (2.44 m). The recommended capacity is usually sufficient for normal heating needs. Please note that the insulation quality of walls and windows are some of the factors that influence heat losses, which modify the required capacity to heat a room. If needed, refer to a specialist (industrial and commercial buildings) who will be able to calculate these heat losses and optimize the required capacity or consult the "Online heating calculation" section of the Stelpro Design Web site (residential buildings).

Do not install the unit where objects or pieces of furniture could be heat damaged.

If the unit capacity is insufficient for the size of the room, it will be in operation continuously, and may become defective earlier and turn yellow.

Respect distances and positions indicated in the installation section.

If the installer or the user modifies the unit, they will be held responsible for any damage resulting from this modification, and the CSA certification could be void.

This unit must not come into contact with a water source and must be protected from splashes (e.g. a wet mop). Do not use it if any part has been immersed. Moreover, do not turn it on or off when standing in water or if your hands are wet.

When cutting or drilling into a wall or ceiling, do not damage electrical wiring and other hidden utilities.

Do not install this product on walls made of synthetic material such as, but not limited to, carpet and wallpaper.

When starting up the unit for the first time or after a long period, it is normal that it produces some temporary odours and whitish smoke.

Because this unit is hot when in use, it may pose risks even in normal operation. Therefore, be **careful** and **responsible** when using it. To avoid burns, do not let bare skin touch hot surfaces. Let the unit cool down for a few minutes before handling (it will stay warm for some time after shut-down). Extreme caution is necessary when any heater is used by or near children or invalids and whenever the heater is left operating and unattended.

Leave at least **0.25 inches (0.6 cm)** above the unit for recessed installation.

Never block air vents (with objects or other items). You risk damaging the heater and the obstruction could lead to electric shock or overheating, which could result in a fire.

Do not install on a wall behind a door.

Do not insert or allow foreign objects to enter any air vent as this may cause electric shocks, fires or damages to the unit.

This unit has hot and arcing or sparking parts inside. It is not designed to be used or stored in wet areas or areas containing flammable liquids, combustible materials or corrosive, abrasive, chemical, explosive and flammable substances such as, but not limited to, gasoline, paint, chlorine, sawdust and cleaning products.

Some areas are dustier than others. Thus, it is the user's responsibility to evaluate if the unit **must be cleaned** based on the amount of dirt accumulated on and inside air vents. Accumulated dirt can lead to a component malfunction or give a yellowish colour to unit. Failure to install and maintain unit in accordance with these instructions poses a fire hazard.

The thermal protection activation indicates that the unit has been subjected to abnormal operating conditions. If the thermal protection remains activated or activates and deactivates repeatedly, it is recommended that a qualified electrician or a certified repair centre examine the unit in order to make sure it is not damaged. (Refer to the limited warranty)

Before unplugging the unit, all controls must be in the "OFF" position and the current from the main breaker panel should be cut. (The general switch may be used also, if included.)

If the unit is damaged or defective, discontinue use, cut off power supply at circuit breaker and contact a certified electrician or certified repair centre. (Refer to the limited warranty)

SAVE THESE INSTRUCTIONS

Note: When a part of the product specification must be changed to improve operability or other functions, priority is given to the product specification itself. In such instances, the instruction manual may not entirely match all the functions of the actual product. Therefore, the actual product and packaging, as well as the name and illustration, may differ from the manual.

SPECIFICATIONS, TECHNICAL DRAWINGS & INSTALLATION

SPECIFICATIONS

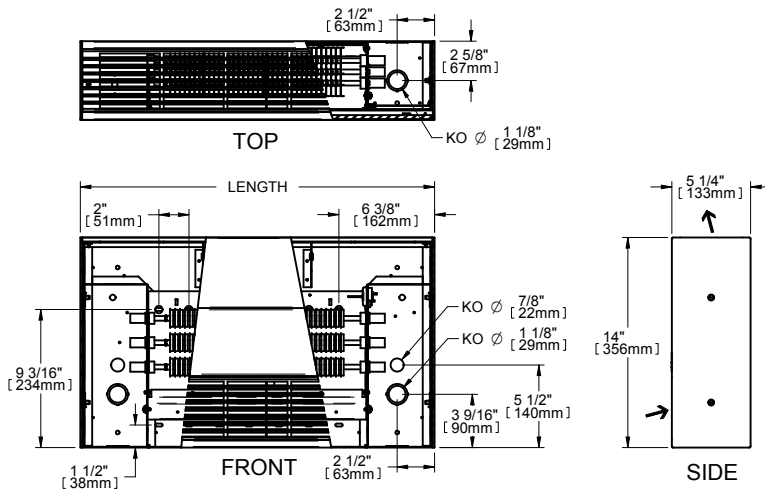
750 W DENSITY PER LINEAR FOOT		600 W DENSITY PER LINEAR FOOT		450 W DENSITY PER LINEAR FOOT		VOLTS	MM	IN.	KG	LB
---	1500 W	CW750612X	1200 W	CW750609X	900 W	X	600	23 5/8	12,7	28
---	2250 W	CW750918X	1800 W	CW750913X	1350 W	X	900	35 7/16	17,7	39
---	3000 W	CW7501224X	2400 W	CW7501218X	1800 W	X	1200	47 1/4	24,1	53
CW7501537X	3750 W	CW7501530X	3000 W	CW7501522X	2250 W	X	1500	59 1/16	29,1	64
CW7501845X	4500 W	CW7501836X	3600 W	CW7501827X	2700 W	X	1800	70 7/8	33,6	74
CW7502152X	5250 W	CW7502142X	4200 W	CW7502131X	3150 W	X	2100	82 11/16	38,6	85
CW7502460X	6000 W	CW7502448X	4800 W	CW7502436X	3600 W	X	2400	94 1/2	43,5	96

Add **W** for white or **A** for almond.

x = 2 (240 V) 3 (347 V) 5 (480 V) 6 (600 V) 7 (277 V) 8 (208 V)

For a complete model list, consult our online product catalog at www.stelpro.com

TECHNICAL DRAWINGS



INSTALLATION

N.B. Cut off power supply at circuit breaker/fuse before proceeding to the installation and wiring connections. This product must be connected by a certified electrician, according to the electrical and building codes effective in your region. Consult the wiring plan found on the unit.

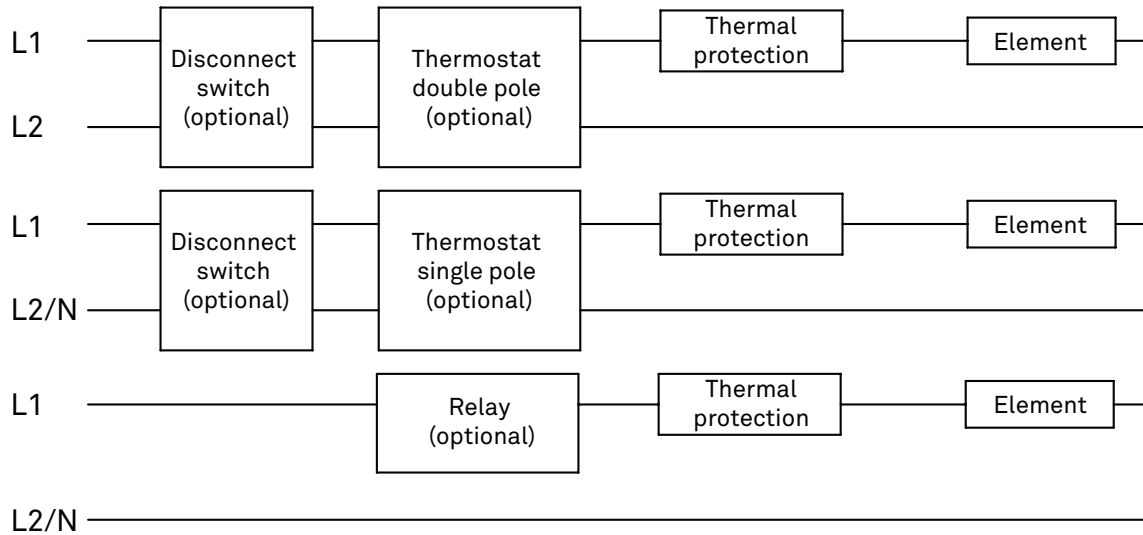
To reduce the risk of fire, do not store or use gasoline or other flammable vapors and liquids in the vicinity of the heater. Do not mount in contact with combustible material. Do not mount in close proximity to another unit.

Keep the front and upper sides of the unit at least 12 inches (30 cm) from any adjacent surfaces. Moreover, make sure objects or pieces of furniture such as, but not limited to, blankets, towels, beds, laundry baskets, clothing, papers, electric wires and other flammable items, do not come into contact with the unit and keep them at least 12 inches (30 cm) from the unit. Failure to comply with this warning could lead to a fire. Some materials are more heat-sensitive than others, so make sure those near the unit can withstand heat.

- This unit can be recessed or surface-mounted.
- For recessed installation (800 W/ft max), keep a minimum clearance of 0.25 in. (0.6 cm) at the top of the heater.
- Do not install cabinet below an electrical outlet.
- To install accessories (e.g.: thermostat), consult the related guides.

OPERATION & TROUBLESHOOTING

ELECTRICAL DIAGRAM



OPERATION

Warning: the heater must be properly installed before it is used.

TROUBLESHOOTING

PROBLEM	DEFECTIVE PART OR PART TO CHECK
The unit does not work	<ul style="list-style-type: none"> Defective thermostat or wrong thermostat setting Open circuit breaker or fuse Thermal protection activated Faulty connections
The unit runs continuously	<ul style="list-style-type: none"> Defective thermostat or wrong thermostat setting Heat losses higher than the unit capacity
The enclosure is extremely hot	<ul style="list-style-type: none"> Defective thermal protection Blocked air vents
The desired room temperature cannot be reached	<ul style="list-style-type: none"> One or more defective elements Defective thermostat or wrong thermostat setting Voltage lower than written on the nameplate Heat losses higher than the unit capacity
Overheating	<ul style="list-style-type: none"> Defective thermostat or wrong thermostat setting
The unit cycles under control of the thermal protection (overheat indicator)	<ul style="list-style-type: none"> Blocked air vents
The breaker trips when the heater is turned on	<ul style="list-style-type: none"> Faulty connections Voltage higher than written on the nameplate

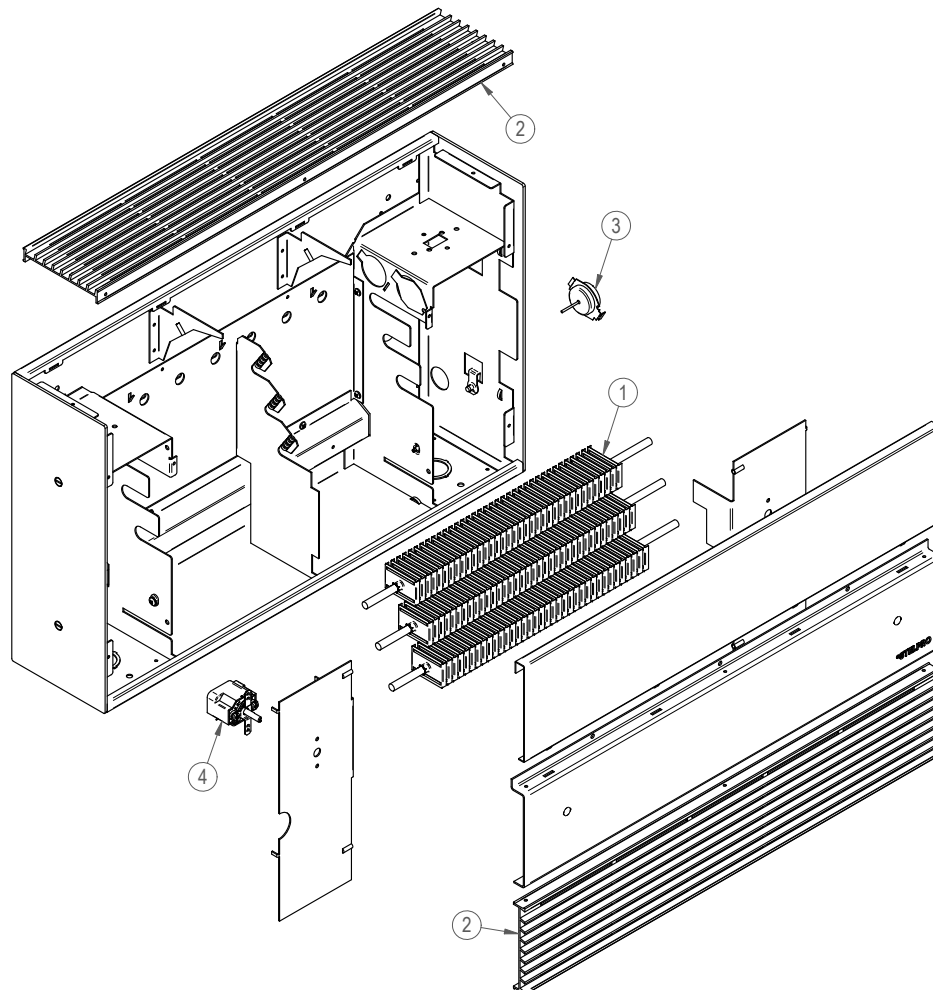
N.B. If you do not solve the problem after checking these points, cut off the power supply at the main electrical panel and contact our customer service (see the "Limited warranty" section to obtain the phone numbers).

REPLACEMENT COMPONENT LIST

REPLACEMENT COMPONENT LIST

REF. #	PART #	DESCRIPTION
1	EA0300-06-***	ELEMENT 300W (600MM)
1	EA0400-06-***	ELEMENT 400W (600MM)
1	EA0450-09-***	ELEMENT 450W (900MM)
1	EA0600-09-***	ELEMENT 600W (900MM)
1	EA0600-12-***	ELEMENT 600W (1200MM)
1	EA0750-15-***	ELEMENT 750W (1500MM)
1	EA0800-12-***	ELEMENT 800W (1200MM)
1	EA0900-18-***	ELEMENT 900W (1800MM)
1	EA1000-15-***	ELEMENT 1000W (1500MM)
1	EA1050-21-***	ELEMENT 1050W (2100MM)
1	EA1200-18-***	ELEMENT 1200W (1800MM)
1	EA1200-24-***	ELEMENT 1200W (2400MM)
1	EA1250-15-***	ELEMENT 1250W (1500MM)
1	EA1400-21-***	ELEMENT 1400W (2100MM)
1	EA1500-18-***	ELEMENT 1500W (1800MM)
1	EA1600-24-***	ELEMENT 1600W (2400MM)
1	EA1750-21-***	ELEMENT 1750W (2100MM)
1	EA2000-24-***	ELEMENT 2000W (2400MM)
2	M-GRI42506Z1	ALUMINUM GRILL (600MM)
2	M-GRI42509Z1	ALUMINUM GRILL (900MM)
2	M-GRI42512Z1	ALUMINUM GRILL (1200MM)
2	M-GRI42515Z1	ALUMINUM GRILL (1500MM)
2	M-GRI42518Z1	ALUMINUM GRILL (1800MM)
2	M-GRI42521Z1	ALUMINUM GRILL (2100MM)
2	M-GRI42524Z1	ALUMINUM GRILL (2400MM)
3	PROT-101	LINEAR THERMAL PROTECTION (AUTO.) (L200) 600MM
3	PROT-102	LINEAR THERMAL PROTECTION (AUTO.) (L200) 900MM
3	PROT-103	LINEAR THERMAL PROTECTION (AUTO.) (L200) 1200MM
3	PROT-104	LINEAR THERMAL PROTECTION (AUTO.) (L200) 1500MM

REF. #	PART #	DESCRIPTION
3	PROT-105	LINEAR THERMAL PROTECTION (AUTO.) (L200) 1800MM
3	PROT-107	LINEAR THERMAL PROTECTION (AUTO.) (L200) 2100MM
3	PROT-108	LINEAR THERMAL PROTECTION (AUTO.) (L200) 2400MM
3	PROT-120	LINEAR THERMAL PROTECTION (AUTO.) (L260) 600MM (FF)
3	PROT-121	LINEAR THERMAL PROTECTION (AUTO.) (L260) 900-1200MM (FF)
3	PROT-122	LINEAR THERMAL PROTECTION (AUTO.) (L260) 1500MM (FF)
3	PROT-123	LINEAR THERMAL PROTECTION (AUTO.) (L260) 1800-2100MM (FF)
3	PROT-124	LINEAR THERMAL PROTECTION (AUTO.) (L260) 2400MM (FF)
3	PROT-180	LINEAR THERMAL PROTECTION (AUTO.) (L220) 1200-1500MM 750W/PIED
3	PROT-181	LINEAR THERMAL PROTECTION (AUTO.) (L220) 1800MM 750W/PIED
3	PROT-182	LINEAR THERMAL PROTECTION (AUTO.) (L220) 2100MM 750W/PIED
3	PROT-183	LINEAR THERMAL PROTECTION (AUTO.) (L220) 2400MM 750W/PIED
3	PROT-185	LINEAR THERMAL PROTECTION (AUTO.) (L220) 600MM 750W/PIED
3	PROT-186	LINEAR THERMAL PROTECTION (AUTO.) (L220) 900MM 750W/PIED
4	ST-014	THERMOSTAT SP (TAMPER-PROOF) (BULB TYPE)
4	ST-015	THERMOSTAT DP (TAMPER-PROOF) (BULB TYPE)
4	ST-016	THERMOSTAT TP (TAMPER-PROOF) (BULB TYPE)



MAINTENANCE

MAINTENANCE



All other repairs and maintenance other than those described in this guide should be performed by qualified service personnel. In order for the warranty to be valid, the unit must be cleaned regularly. Cut off power supply at circuit breaker/fuse and wait for the unit to cool down before cleaning. **WARNING:** if the unit is equipped with a circuit breaker, the power supply at the main breaker must be turned off before removing the cover of the junction box or to open or close the unit's circuit breaker.

Use a soft rag for dusting. When cleaning, use only a damp rag and non-abrasive dish soap. Do not use abrasive or chemical cleaners because they may damage the finishing. If the unit is used in a very dusty location, use a vacuum brush to remove dust and other foreign objects from the grilles. Note that cigarette smoke could yellow the discharge grille and that the best way to prevent it is to clean the unit on a regular basis.

Do not use cleaning products identified with these symbols:



N.B. Note that there is electrical current linked to the unit even if the thermostat is set off. This means that there is a risk of electric shock as long as the unit is energized.

LIMITED WARRANTY LIMITED WARRANTY LIMITED WARRANTY LIMITED WARRANTY LIMITED WARRANTY

LIMITED WARRANTY

This limited warranty is offered by Stelpro Design inc. ("Stelpro") and applies to the following product made by Stelpro: model CW750. **Please read this limited warranty carefully.** Subject to the terms of this warranty, Stelpro warrants its products and their components against defects in workmanship and/or materials for the following periods from the date of purchase: **3 years**. This warranty applies only to the original purchaser; it is non-transferable and cannot be extended.

CLAIM PROCEDURE

If at any time during the warranty period the unit becomes defective, you must cut off the power supply at the main electrical panel and contact 1) your installer or distributor, 2) your service center or 3) Stelpro's customer service department. In all cases, you must have a **copy of the invoice** and provide the **information written on the product nameplate**. Stelpro reserves the right to examine or to ask one of its representatives to examine the product itself or any part of it before honoring the warranty. Stelpro reserves the right to replace the entire unit, refund its purchase price or repair a defective part. Please note that repairs made within the warranty period must be authorized in advance in writing by Stelpro and carried out by persons authorized by Stelpro.

Before returning a product to Stelpro, you must have a Stelpro authorization number (RMA). To obtain it, call the customer service department at: **1-800-363-3414** (electricians and distributors - French), **1-800-343-1022** (electricians and distributors - English), or **1-866-766-6020** (consumers). The authorization number must be clearly written on the parcel or it will be refused.

CONDITIONS, EXCLUSIONS AND DISCLAIMER OF LIABILITY

This warranty is exclusive and in lieu of all other representations and warranties (except of title), expressed or implied, and Stelpro expressly disclaims and excludes any implied warranty of merchantability or implied warranty of fitness for a particular purpose.

Stelpro's liability with respect to products is limited as provided above. Stelpro shall not be subject to any other obligations or liabilities whatsoever, whether based on contract, tort or other theories of law, with respect to goods or services furnished by it, or any undertakings, acts or omissions relating thereto. Without limiting the generality of the foregoing, Stelpro expressly disclaims any liability for property or personal injury damages, penalties, special or punitive damages, damages for lost profits, loss of use of equipment, cost of capital, cost of substitute products, facilities or services, shutdowns, slowdowns, or for other types of economic loss or for claims of a dealer's customers or any third party for such damages. Stelpro specifically disclaims all consequential, incidental and contingent damages whatsoever.

This warranty does not cover any damages or failures resulting from: 1) a faulty installation or improper storage; 2) an abusive or abnormal use, lack of maintenance, improper maintenance (other than that prescribed by Stelpro) or a use other than that for which the unit was designed; 3) a natural disaster or an event out of Stelpro's control, including, but not limited to, hurricanes, tornadoes, earthquakes, terrorist attacks, wars, overvoltage, flooding, water damages, etc. This warranty does not cover any accidental or intentional losses or damages, nor does it cover damages caused by negligence of the user or owner of the product. Moreover, it does not cover the cost of disconnection, transport, and installation.

The warranty is limited to the repair or the replacement of the unit or the refund of its purchase price, **at the discretion of Stelpro**. Any parts replaced or repaired within the warranty period with the written authorization of Stelpro will be warranted for the remainder of the original warranty period. This warranty will be considered null and void and Stelpro will have the right to refuse any claims if **products have been altered** without the written authorization of Stelpro and if the nameplate numbers have been removed or modified. This warranty does not cover scratches, dents, corrosion or discoloration caused by excessive heat, chemical cleaning products and abrasive agents. It does not cover any damage that occurred during the shipping.

Some states and provinces do not allow the exclusion or limitation of incidental or consequential damages and some of them do not allow limitations on how long an implied warranty lasts, so these exclusions or limitations may not apply to you. This warranty gives you specific legal rights and you may have other rights which vary from state to state or from province to province.