

D010 electronic thermostat

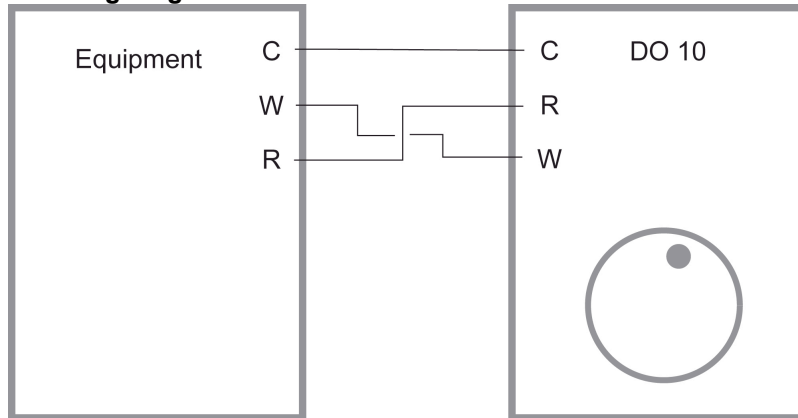
Installation:

Caution: Turn off the thermostat and all the connected electrical devices (e.g. a heater) before the installation. The thermostat must be installed by a qualified person.

1. Thermostat location:

The thermostat must be installed indoor only. It should be mounted on a wall, at about 1.5 m above the floor, where it can detect the temperature variations and where the air is circulating freely. Prevent direct exposure to sunlight or splashing area. Do not place the thermostat near heat/cool generating sources.

2. Wiring diagram:



3. Mounting:

Removing the cover:

- Using a screwdriver, loose the screw at the bottom of the unit, without removing it. **(see diagram 1)**
- With a screwdriver, gently pull the lock hook upwards, and remove the front cover by tilting it upwards. **(see diagram 2)**

Mounting:

- Ensure the mounting surface is levelled.
- Route the wires in the terminal block.
- Insert the two wall anchors into the wall.
- Secure the thermostat to the wall with the two screws provided. **(see diagram 3)**

Electrical connections:

- Make the proper electrical connections according to the circuit diagram.
- Afterward, push all the wires back into the wall.

Putting back the cover:

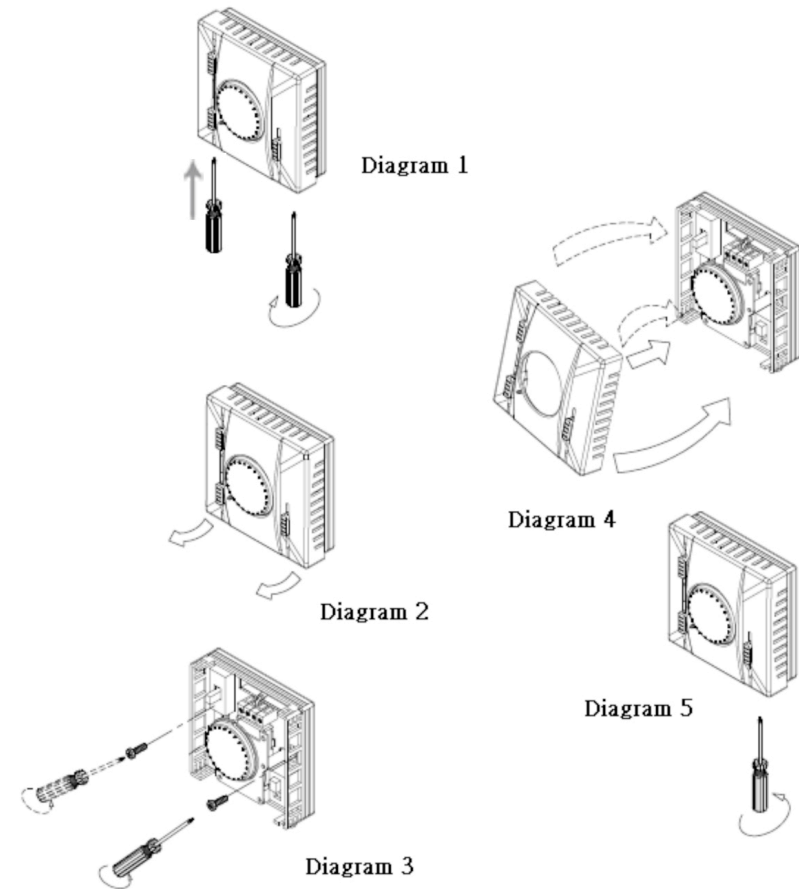
- Align the slide switch knob.
- Put back the cover and ensure the top locks are fastened. **(see diagram 4)**
- Gently press the cover and tighten the screw at the bottom of the unit. **(see diagram 5)**

4. Temperature setting up:

- Select the temperature by rotating the thermostat knob.

5. Specifications:

Adjustment range:	10°C to 30°C
Span:	1°C
Operating temperature:	0°C to – 45°C
Degree of protection:	IP20
Voltage:	24 VAC
Amperage:	1 A



°STELPRO

360 comfort