

**PYROBOX**

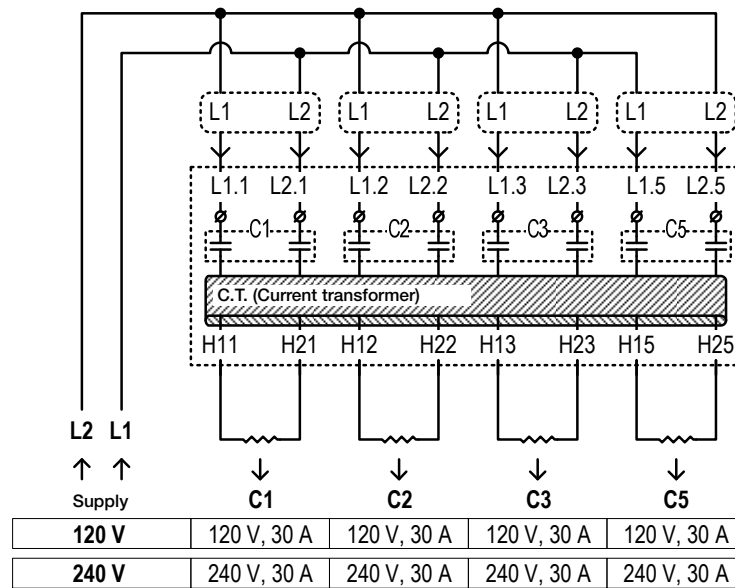
CONTROL PANEL  
FOR SNOW MELTING SYSTEM

PYROBOX3  
PYROBOX3C  
PYROBOX5

	SUPPLY	LOADS	NOTES	DRAWING	PAGE
PYROBOX3	1 P x 120 V	120 V, 4 x 30 A		1	
	1 P x 240 V	240 V, 4 x 30 A			
PYROBOX3C	3 P x 208 V	208 V, 2 x 50 A + 208 V, 30 A	<b>OPTION 1</b> 1 heater per contactors C1, C2 and C5	2	2
	3 P x 347 V	347 V, 2 x 50 A			
	3 P x 480 V	480 V, 2 x 50 A			
	3 P x 600 V	600 V, 2 x 50 A			
	3 P x 208 V	208 V, 6 x 50 A	<b>OPTION 2</b> 3 heaters per contactors C1-C2 (triangle) and 1 heater per contactor C5	3	
	3 P x 347 V	347 V, 6 x 50 A			
	3 P x 480 V	480 V, 6 x 50 A			
	3 P x 600 V	600 V, 6 x 50 A			
	3 P x 208 V + N	208 V, 2 x 50 A + 120 V, 30 A	<b>OPTION 1</b> 1 heater per contactors C1, C2 and C5 (Neutral connected to C5)	4	
	3 P x 347 V + N	347 V, 2 x 50 A + 200 V, 30 A			
	3 P x 480 V + N	480 V, 2 x 50 A + 277 V, 30 A			
	3 P x 600 V + N	600 V, 2 x 50 A			
3 P x 208 V	208 V, 6 x 50 A + 120 V, 30 A	<b>OPTION 2</b> 3 heaters per contactors C1-C2 (triangle) and 1 heater per contactor C5	5		
3 P x 347 V	347 V, 6 x 50 A + 200 V, 30 A				
3 P x 480 V	480 V, 6 x 50 A + 277 V, 30 A				
3 P x 600 V	600 V, 6 x 50 A				
3 P x 208 V + N	120 V, 2 x 50 A + 120 V, 30 A	<b>OPTION 3</b> 1 heater per contactors C1, C2 and C5 (Neutral connected to all contactors)	6		
3 P x 347 V + N	200 V, 2 x 50 A + 200 V, 30 A				
3 P x 480 V + N	277 V, 2 x 50 A + 277 V, 30 A				
3 P x 600 V + N	347 V, 2 x 50 A				
PYROBOX5	3 P x 208 V	208 V, 4 x 50 A + 208 V, 30 A	<b>OPTION 1</b> 1 heater per contactors C1-C5	7	4
	3 P x 347 V	347 V, 4 x 50 A			
	3 P x 480 V	480 V, 4 x 50 A			
	3 P x 600 V	600 V, 4 x 50 A			
	3 P x 208 V	208 V, 12 x 50 A + 208 V, 30 A	<b>OPTION 2</b> 3 heaters per contactors C1-C4 (triangle) and 1 heater per contactor C5	8	
	3 P x 347 V	347 V, 12 x 50 A			
	3 P x 480 V	480 V, 12 x 50 A			
	3 P x 600 V	600 V, 12 x 50 A			
	3 P x 208 V + N	208 V, 4 x 50 A + 120 V, 30 A	<b>OPTION 1</b> 1 heater per contactors C1-C5	9	
	3 P x 347 V + N	347 V, 4 x 50 A + 200 V, 30 A			
	3 P x 480 V + N	480 V, 4 x 50 A + 277 V, 30 A			
	3 P x 600 V + N	600 V, 4 x 50 A			
3 P x 208 V + N	208 V, 12 x 50 A + 120 V, 30 A	<b>OPTION 2</b> 3 heaters per contactors C1-C4 (triangle) and 1 heater per contactor C5	10		
3 P x 347 V + N	347 V, 12 x 50 A + 200 V, 30 A				
3 P x 480 V + N	480 V, 12 x 50 A + 277 V, 30 A				
3 P x 600 V + N	600 V, 12 x 50 A				
3 P x 208 V + N	120 V, 4 x 50 A + 120 V, 30 A	<b>OPTION 3</b> 1 heater per contactors C1-C5 (Neutral connected to all contactors)	11		
3 P x 347 V + N	200 V, 4 x 50 A + 200 V, 30 A				
3 P x 480 V + N	277 V, 4 x 50 A + 277 V, 30 A				
3 P x 600 V + N	347 V, 4 x 50 A				

# PYROBOX3

1

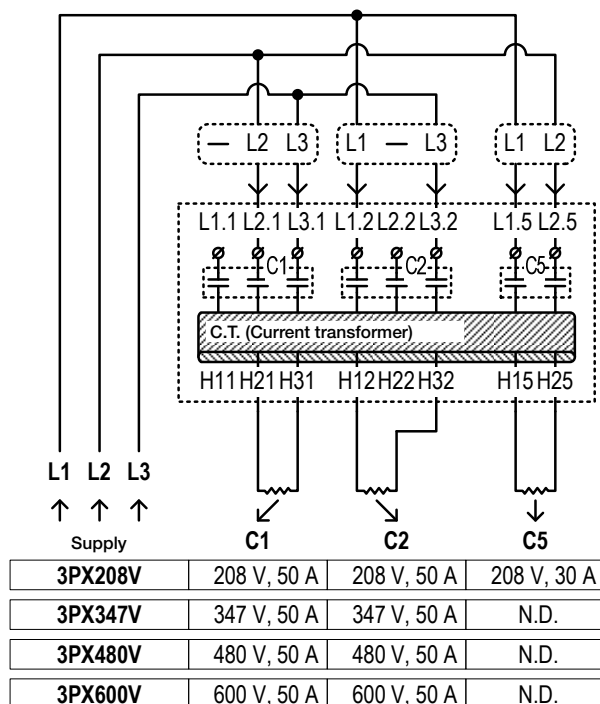


# PYROBOX3C

2

## OPTION 1

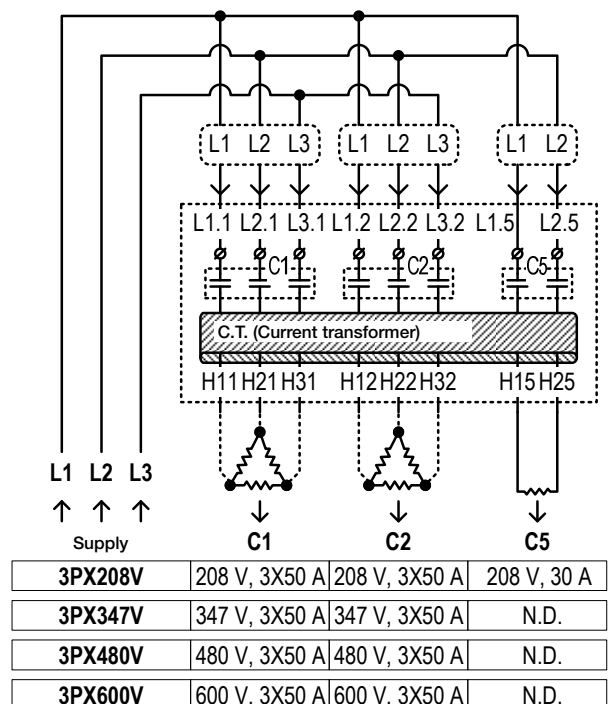
1 heater per contactors C1, C2 and C5



3

## OPTION 2

3 heaters per contactors C1 and C2 (triangle transform) and 1 heater per contactor C5



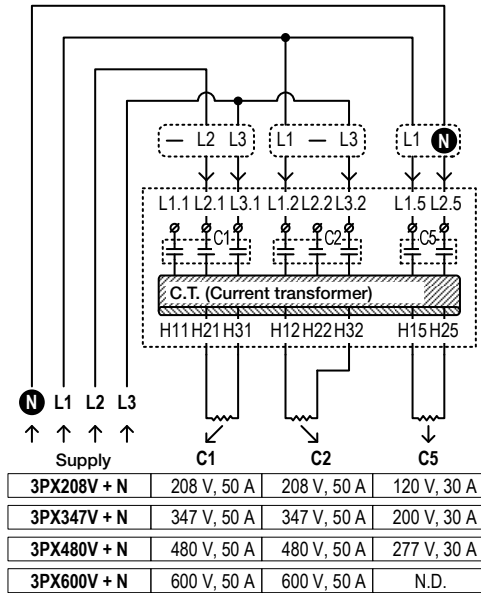
**Note:** Contactors 1 and 2 can be connected to any combination of 1 or 3 (triangle transform) heaters. Example: Contactor C1 can be connected to 3 heaters (triangle transform) and contactor C2 can be connected to 1 heater.

# PYROBOX3C | SUPPLY 3P WITH NEUTRAL CONNECTED TO C5

## 4

### OPTION 1

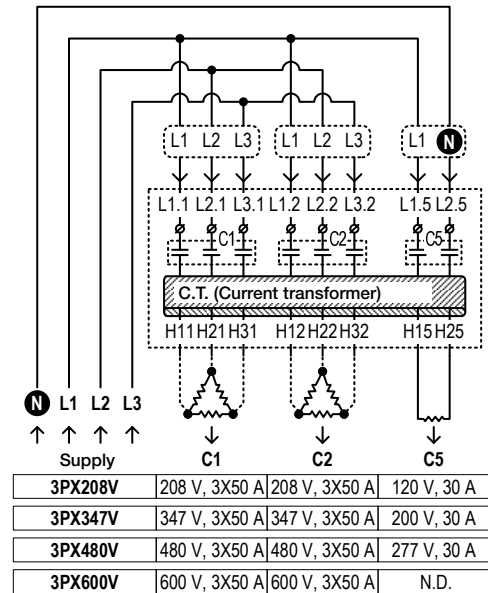
1 heater per contactors C1, C2 and C5 (Neutral connected to C5)



## 5

### OPTION 2

3 heaters per contactors C1 and C2 (triangle transform) and 1 heater per contactor C5



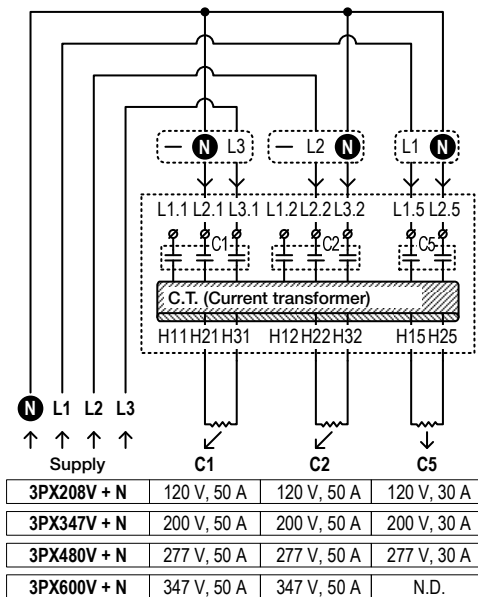
**Note:** Contactors 1 and 2 can be connected to any combination of 1 or 3 (triangle transform) heaters with and without neutral. Example: Contactor C1 connected to 3 heaters (triangle transform) and contactor C2 connected to 1 heater.

# PYROBOX3C | SUPPLY 3P WITH NEUTRAL CONNECTED TO ALL CONTACTORS

## 6

### OPTION 3

1 heater per contactors C1, C2 and C5  
(Neutral connected to C1, C2 and C5)



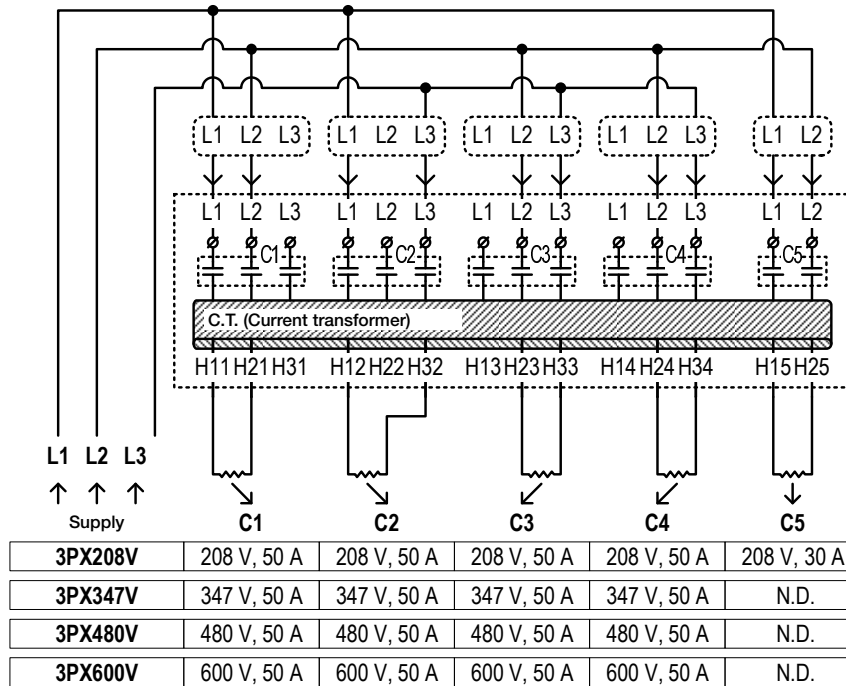
**Note:** Contactors 1 and 2 can be connected to any combination of 1 or 3 (triangle transform) heaters with and without neutral. Example: Contactor C1 connected to 3 heaters (triangle transform) and contactor C2 connected to 1 heater.

# PYROBOX5 | SUPPLY 3P WITHOUT NEUTRAL

## 7

### OPTION 1

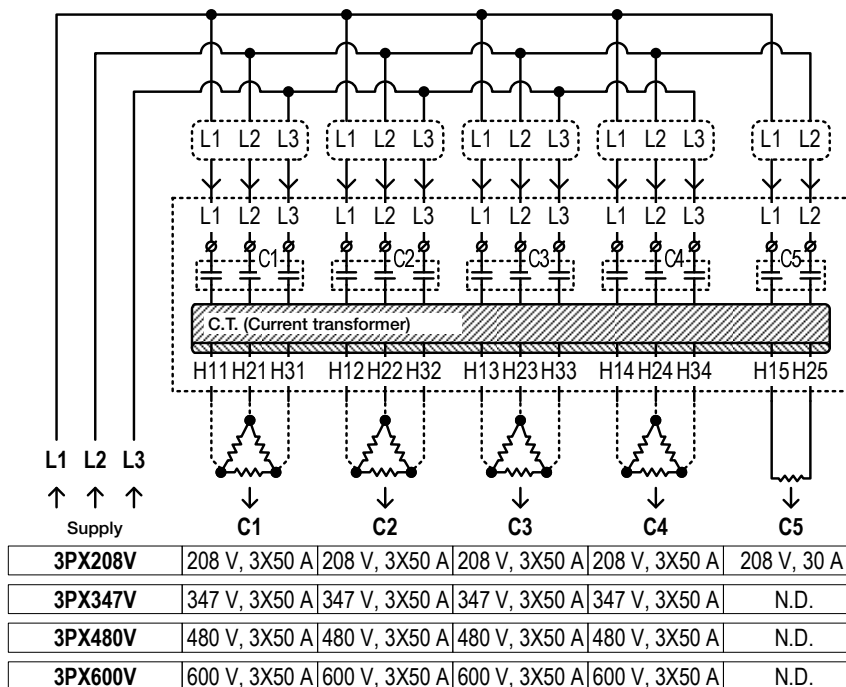
1 heater per contactors C1, C2, C3, C4 and C5



## 8

### OPTION 2

3 heaters per contactors C1, C2, C3 and C4 (triangle transform) and 1 heater per contactor C5



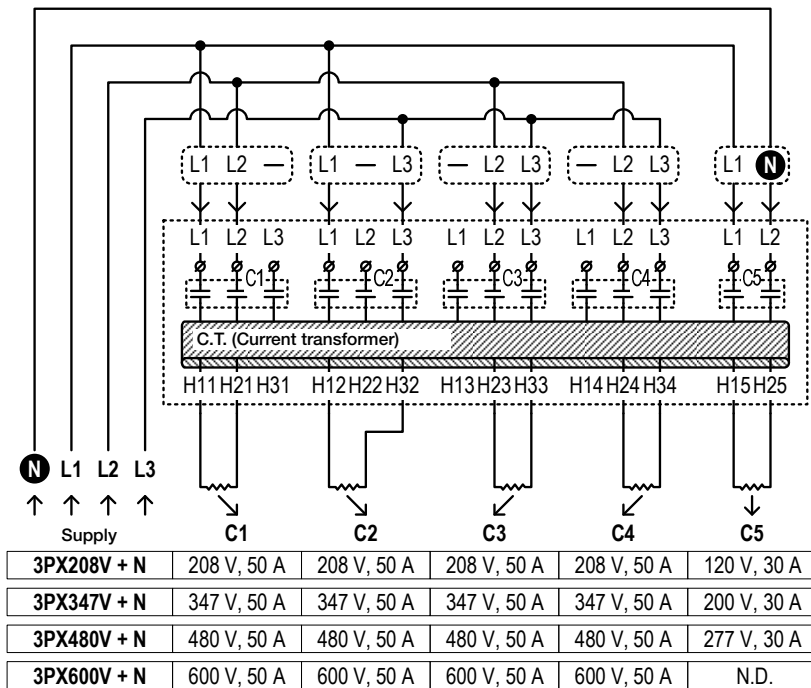
**Note:** Contactors 1 and 2 can be connected to any combination of 1 or 3 (triangle transform) heaters. Example: Contactor C1 can be connected to 3 heaters (triangle transform) and contactor C2 can be connected to 1 heater.

# PYROBOX5 | SUPPLY 3P WITH NEUTRAL CONNECTED TO C5

## 9

### OPTION 1

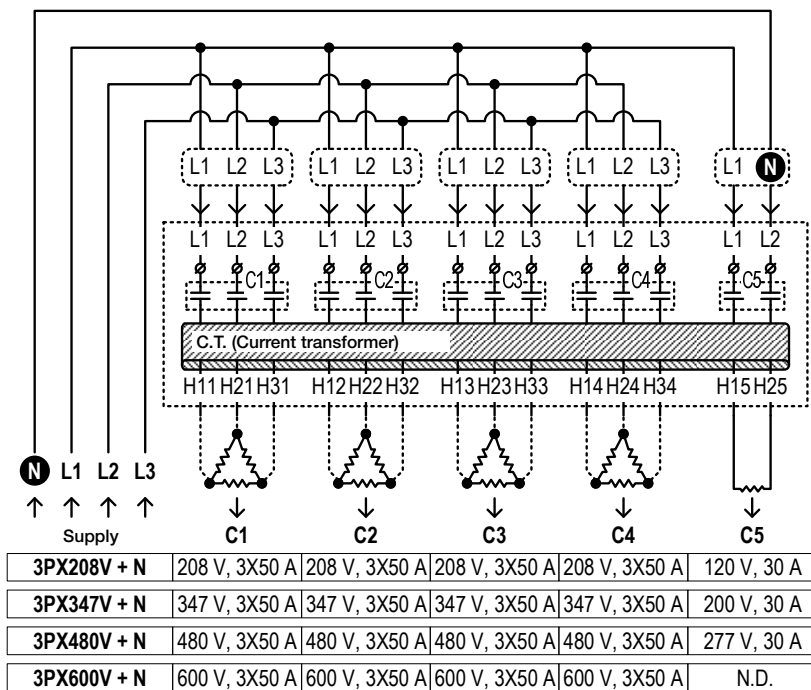
1 heater per contactors C1, C2, C3, C4 and C5



## 10

### OPTION 2

3 heaters per contactors C1, C2, C3 and C4 (triangle transform) and 1 heater per contactor C5

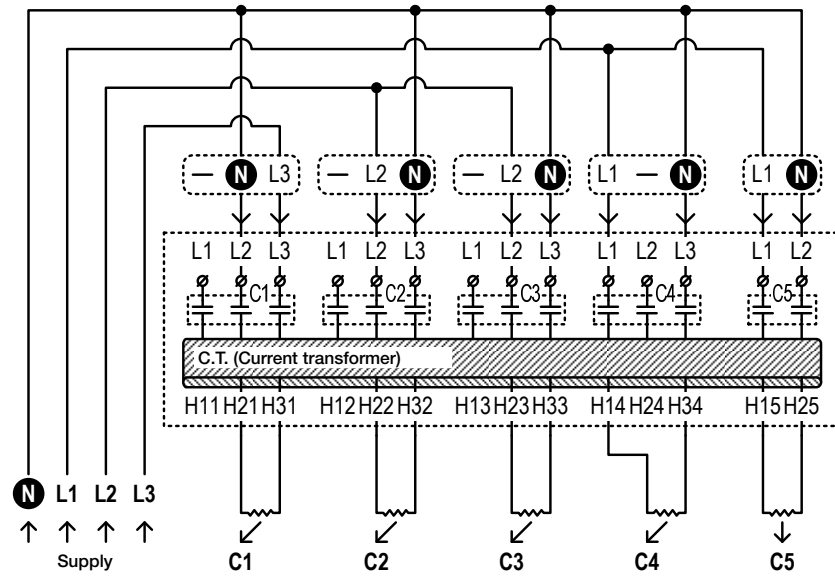


**Note:** Contactors 1 and 2 can be connected to any combination of 1 or 3 (triangle transform) heaters. Example: Contactor C1 can be connected to 3 heaters (triangle transform) and contactor C2 can be connected to 1 heater.

## 11

### OPTION 3

1 heater per contactors C1, C2, C3 and C4 and C5 (Neutral connected to C1, C2, C3, C4 and C5)



<b>3PX208V + N</b>	120 V, 50 A	120 V, 50 A	120 V, 50 A	120 V, 50 A	120 V, 30 A
<b>3PX347V + N</b>	200 V, 50 A	200 V, 50 A	200 V, 50 A	200 V, 50 A	200 V, 30 A
<b>3PX480V + N</b>	277 V, 50 A	277 V, 50 A	277 V, 50 A	277 V, 50 A	277 V, 30 A
<b>3PX600V + N</b>	347 V, 50 A	347 V, 50 A	347 V, 50 A	347 V, 50 A	N.D.

**Note :** Contactors 1, 2, 3 and 4 can be connected to any combination of 1 or 3 (triangle transform) heaters with and without neutral. Example: Contactor C1, C2 and C3 connected to 3 heaters (triangle transform) and contactor C2 connected to 1 heater.

THANK YOU FOR YOUR PURCHASE!

QUESTION? PROBLEM? CONTACT STELPRO CUSTOMER SERVICE.

[WWW.STELPRO.COM](http://WWW.STELPRO.COM)

[CONTACT@STELPRO.COM](mailto:CONTACT@STELPRO.COM)

1-844-STELPRO