

ELECTRIC HEAT THERMOSTAT

RJ32B1-RJ32B2 et RJ32W1-RJ32W2 SERIES

WARNING

Before installing and operating this product, the user and/or installer must read, understand and follow these instructions and keep them handy for future reference. If these instructions are not followed, the warranty will be considered null and void and the manufacturer deems no further responsibility for this product. The following instructions must be adhered to in order to avoid personal and serious injuries, property damages and potentially fatal electric shocks. Switch off the power at the circuit breaker/fuse before installing, repairing and cleaning the unit. Make sure the unit is appropriate for the intended use (if needed, refer to the product catalog or a representative).

APPLICATION

Use with electric heating products.

INSTALLATION

WHEN INSTALLING THIS PRODUCT...

- Read these instructions carefully. Failure to follow them could damage the product or cause a hazardous situation.
- Check the ratings given in the instructions and on the product to make sure the product is suitable for your application.
- Installer must be a trained, experienced service technician.
- After installation is complete, check the product operation as provided in these instructions.

WARNING
Line voltage hazard. This 120 to 277 Vac line voltage control has a risk of electrical shock resulting in serious injury or death.
 Do not install if you are not a trained, experienced service technician. Disconnect power supply before installing to prevent electrical shock hazard.

1. Connect lead wire on the back of the thermostat to conductors from the heater and power source with solderless wire connectors approved for size and number of wires. (Use care when connecting to aluminum wire. See Note 2, FIGURE 1.)
2. Remove thermostat cover (hold base, grasp bottom of cover and pull out).
3. After adding solderless connectors to the connected wires, bend them and push them back into the junction box.
4. Position thermostat on the box by pushing against top and bottom of base.
5. Secure thermostat to electrical box with both mounting screws.

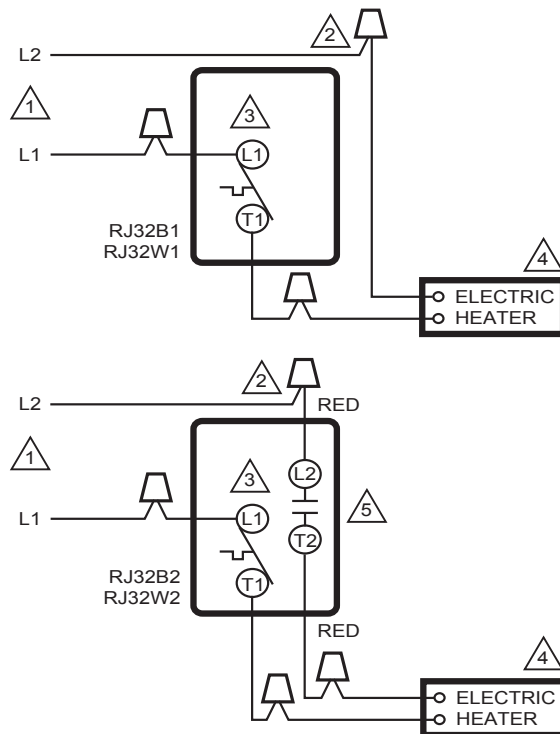
NOTE: Level only for appearance; thermostat functions normally even when not level.

6. Replace thermostat cover.
7. Set thermostat to desired room temperature.

CAUTION
Equipment damage hazard.
Rough handling can damage knob, sensing element or switch.
 Do not press on knob or sensor.

WIRING

FIG. 1 RJ32B1-B2 and RJ32W1-W2 wiring diagrams



- 1 POWER SUPPLY. PROVIDES DISCONNECT MEANS AND OVERLOAD PROTECTION AS REQUIRED. SUPPLY WIRES CAN BE BLACK AND RED, OR BLACK AND WHITE.
- 2 SPECIAL SERVICE CO/ALR SOLDERLESS WIRE CONNECTORS MUST BE USED WHEN CONNECTING TO ALUMINUM WIRE TO PREVENT FIRE HAZARD. USE CONNECTORS APPROVED FOR NUMBER AND GAUGE OF WIRES.
- 3 CONTACT L1-T1 (BLACK WIRES) OPENS ON TEMPERATURE RISE.
- 4 THERMOSTAT IS DESIGNED TO BE USED WITH A LIMIT CONTROL IN THE APPLIANCE.
- 5 POWER BREAKS ONLY AT POSITIVE OFF; IT IS NOT THERMALLY ACTIVATED.

