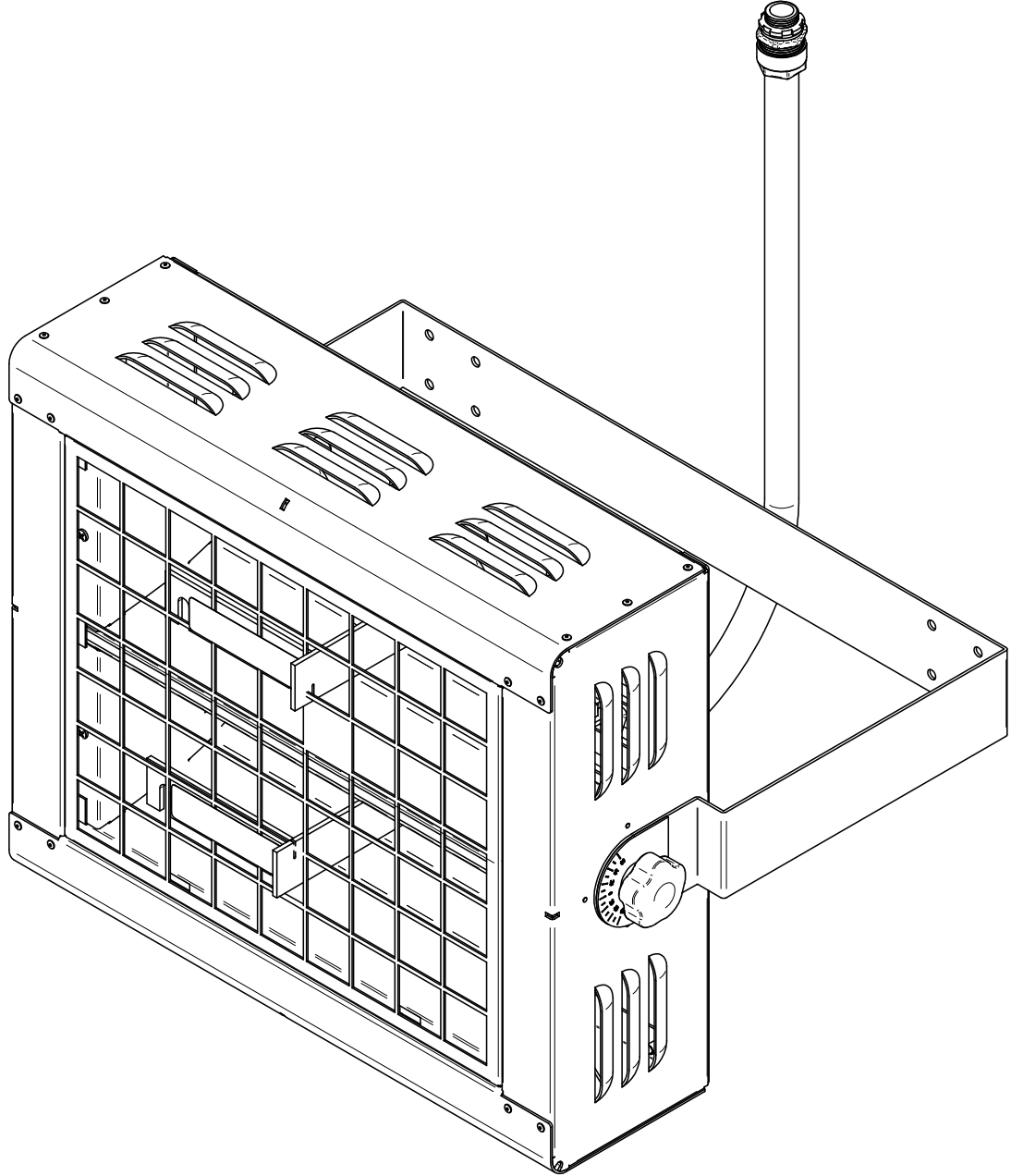




USER'S GUIDE

ASIRH SERIES INFRARED RADIATOR HEATER

REPLACEMENT COMPONENT LIST INCLUDED




This unit
complies with
CSA and UL
standards

SPECIFICATIONS



AVERTISSEMENT

IMPORTANT INSTRUCTIONS

Before installing and operating this product, the user and/or installer must read, understand and follow these instructions and keep them handy for future reference. If these instructions are not followed, the warranty will be considered null and void and the manufacturer deems no further responsibility for this product.

This product must be installed by a qualified person and connected by a certified electrician, according to the electrical and building codes effective in your region.

The following instructions must be adhered to in order to avoid personal injuries or property damages, serious injuries and potentially fatal electric shocks.

Protect the heating unit with the appropriate circuit breaker or fuse, in accordance with the nameplate.

Make sure the line voltage (volt) is consistent with that indicated on the unit's nameplate.

This unit must be **grounded**.

Switch off the power at the circuit breaker/fuse before installing, repairing and cleaning the unit.

Make sure the unit is appropriate for the intended use (if needed, refer to the product catalog or a representative). Use this heater only as described in this manual. Any other use not recommended by the manufacturer may cause fire, electric shock, or injury to persons.

Do not install the unit where objects could be heat damaged or where object could burn if they are too close from the front of the heater.

Respect distances and positions indicated in the installation section.

If the installer or the user modifies the unit, they will be held responsible for any damage resulting from this modification, and the CSA certification could be void.

Because this unit is hot when in use, it may pose risks even in normal operation. Therefore, be careful and responsible when using it. To avoid burns, do not let bare skin touch hot surfaces. Let the unit cool down for a few minutes before handling it (it stays warm for some time after shutdown). Extreme caution is necessary when any heater is used by or near children or invalids and whenever the heater is left operating and unattended.

Make sure objects do not come into contact with the unit and keep them away from it at distances greater than the ones specified in this guide and on the warning label on the unit (see the Installation section). Failure to comply with this warning could lead to a fire. Some materials are more heat-sensitive than others, so make sure those near the unit can withstand heat.

Do not use this unit in areas where you can find large amount of inflammable dust, vapors or gases in suspension.

Never block air vents (with objects or other items). You risk damaging the heater and the obstruction could lead to electric shock or overheating, which could result in a fire.

Do not insert or allow foreign objects to enter any air vent as this may cause electric shocks, fires, or damages to the unit.

Do not use this product in areas containing flammable liquids, combustible materials or corrosive, abrasive, chemical, explosive and flammable substances such as, but not limited to, gasoline, paint, chlorine and cleaning products.

Some areas are dustier than others. Accumulated dirt can lead to a component malfunction or discoloration (yellowing). It may cause a fire hazard if not installed and maintained in accordance with these instructions.

Before unplugging the unit, all controls must be in the "OFF" position and the current from the main breaker panel should be cut. (The general switch may be used also, if included.)

If the unit is damaged or defective, discontinue use, cut off power supply at circuit breaker and contact a certified electrician or certified repair centre. (Refer to the limited warranty)

Ensure to choose the model required for your application. You can ask either your distributor or the customer service. Overheating may occur if the chosen model is too powerful for the application.

SAVE THESE INSTRUCTIONS

Note: This unit is designed to increase comfort, not to heat the ambient air. A lot of factors can have an impact on the heat felt by users (wind, weather, etc.). It is important to consider it before using the unit.

When a part of the product specification must be changed to improve operability or other functions, priority is given to the product specification itself. In such instances, the instruction manual may not entirely match all the functions of the actual product. Therefore, the actual product and packaging, as well as the name and illustration, may differ from the manual.

SPECIFICATIONS

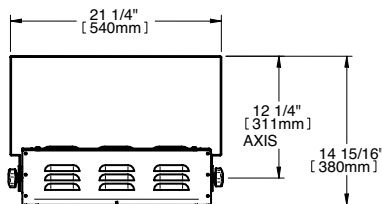
CODE	WATTAGE	VOLTAGE	FREQUENCY	LENGTH		HEIGHT		DEPTH		WEIGHT	
	WATTS	VOLTS	Hz	IN.	MM	IN.	MM	IN.	MM	LB	KG
ASIRH1501W*	1500	120	60	19	483	10	254	5 5/8	143	11.0	5.0
ASIRH2002W*	2000/1600	240/208	60	19	483	10	254	5 5/8	143	11.0	5.0
ASIRH4002W*	4000/3200	240/208	60	19	483	15 7/8	403	5 5/8	143	13.8	6.25
ASIRH4203W*	4180	347	60	19	483	21 13/16	554	5 5/8	143	16.3	7.4
ASIRH6002W*	6000/4800	240/208	60	19	483	21 13/16	554	5 5/8	143	16.3	7.4

* Add **R** for the weather-resistant model

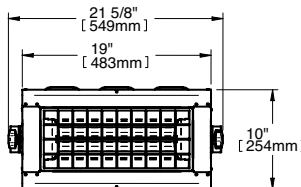
TECHNICAL DRAWINGS

TECHNICAL DRAWINGS

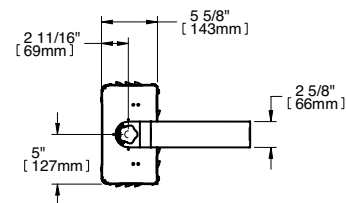
1500 W + 2000 W MODELS



TOP

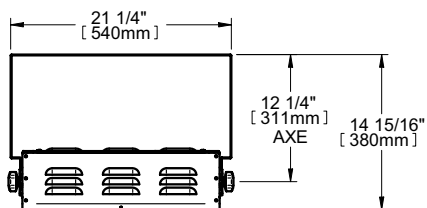


FRONT

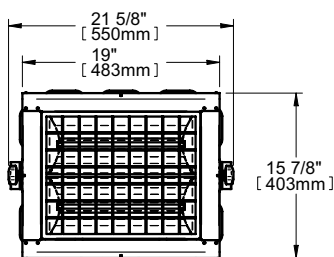


SIDE

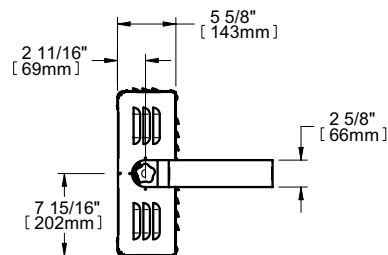
4000 W MODEL



TOP

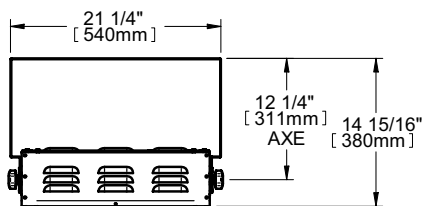


FRONT

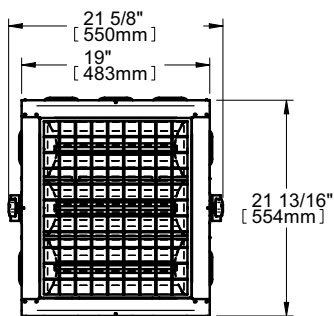


SIDE

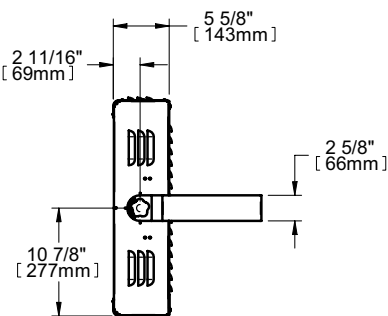
4180 W + 6000 W MODELS



TOP



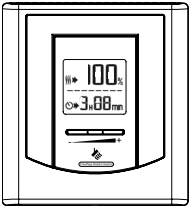
FRONT



SIDE

INSTALLATION

DIMMER-TIMER AND CONTROLS (NOT INCLUDED)



SIRHC402-1 DIMMER

The 1500 W at 120 V, 2000 W / 1600 W at 240 V / 208 V & 4000 W / 3200 W at 240 V / 208 V units can be controlled by the Stelpro electronic dimmer that is equipped with a timer (not included).

The 1500 W at 120 V, 2000 W / 1600 W at 240 V / 208 V & 4000 W / 3200 W at 240 V / 208 V units can also be controlled by an independant switch that is not offered by Stelpro.

The 4200 W at 347 V & 6000 W / 4800 W at 240 V / 208 V units can only be controlled by an independant switch that is not offered by Stelpro.

For other types of controls: The power to the units can be reduced using appropriate controls. The controls must be able to handle inductive and resistive loads. In addition, they must have circuits to regulate the start-up current, since this type of unit requires a high start-up current.

INSTALLATION



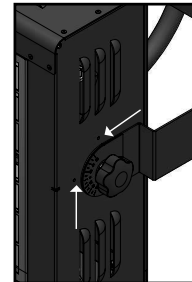
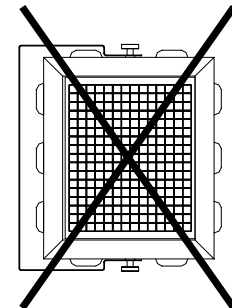
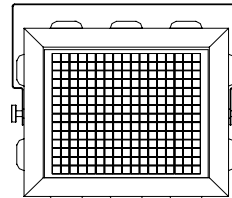
N.B. Cut off power supply at circuit breaker/fuse before proceeding to the installation and wiring connections. This product must be connected by a certified electrician, according to the electrical and building codes effective in your region.

To reduce the risk of fire, do not store or use gasoline or other flammable vapors and liquids in the vicinity of the heater. Do not mount in contact with combustibile material. Do not mount in close proximity to another unit.

The unit can be installed anywhere from 2.5 meters (8 feet) to 6 meters (20 feet) from the floor.

FOR THE BEST POSSIBLE RESULTS, THE FOLLOWING RECOMMENDATIONS SHOULD BE RESPECTED WHEN INSTALLING THE INFRARED RADIATORS:

- Unit must be horizontally mounted.
 - If the support provided is not sufficient for the clearance distance required, Stelpro offers an optional extensible support (product code: KIT-SIRH-SUP1) which can be adjusted to obtain distances ranging from 20 in. (51 cm) to 34 in. (86 cm).
 - The unit can be installed on wood surfaces, gypsum, metal, brick, stone or concrete.
 - It is very important to respect the minimum clearance distance to prevent fire or damages to your property.
 - This device emits very high radiant heat forward, when in close proximity never point the front of the unit directly at a wall or ceiling, doing so could also cause fire or damage to your property. Once the correct position is established, in order to prevent unwanted movement of the unit, make sure the handles are securely tightened with the spring washers in place.
 - The unit must be firmly mounted to the mounting area using the appropriate screws or any other mounting device (not included).
- When installing, make sure that the mounting surface behind the unit is strong enough to support the weight of the bracket and the unit. On a drywall/gypsum surface, thin wood or thin covering, you need to ensure that the fasteners are securely anchored into wall studs or ceiling joists.
 - Unit must be mounted to the wall or ceiling following the illustrations here.
 - Adjust the installation angle with the angles displayed on the sides of the support and the embossed marks (DETAIL A). Tighten the handles of the unit in order to secure the chosen angle.



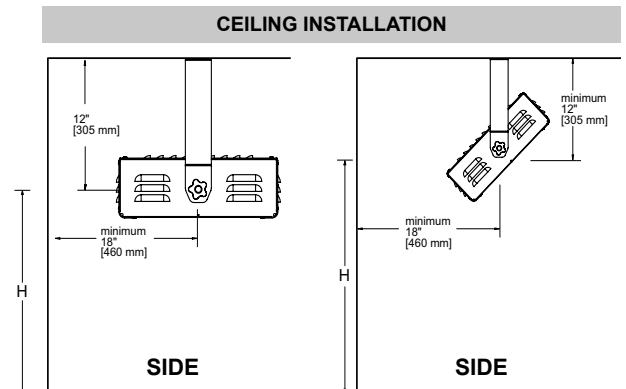
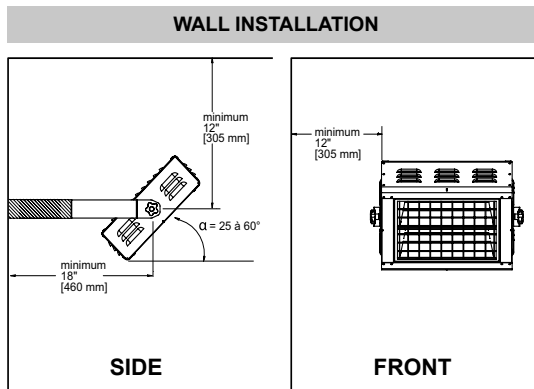
DETAIL A

1500 W AT 120 V AND 2000 W / 1600 W AT 240 V / 208 V UNITS



It is very important to respect the clearance from flammable material, as mentioned below.

All flammable items must be at least 30" (0,76 m) from the front of the unit.



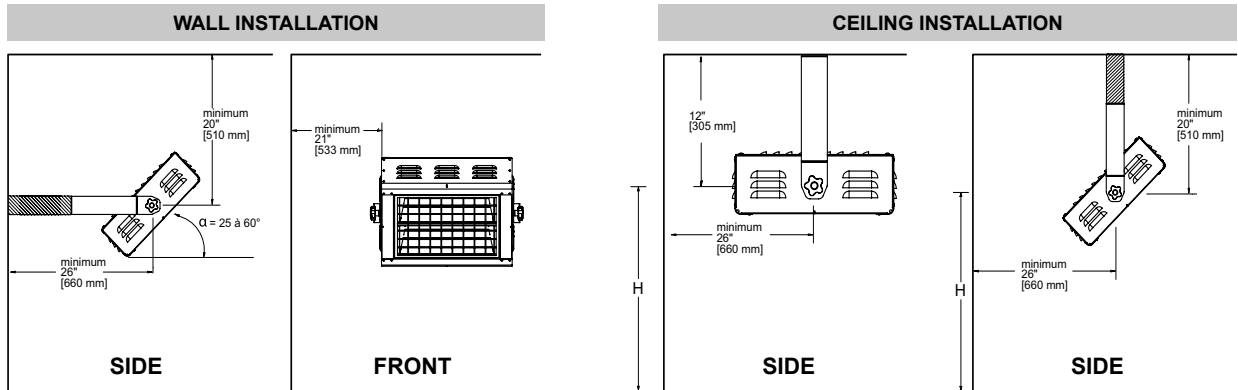
INSTALLATION

4000 W / 3200 W AT 240 V / 208 V & 4200 W AT 347 V UNITS



It is very important to respect the clearance from flammable material, as mentioned below.

All flammable items must be at least 48" (1.22 m) from the front of the unit.

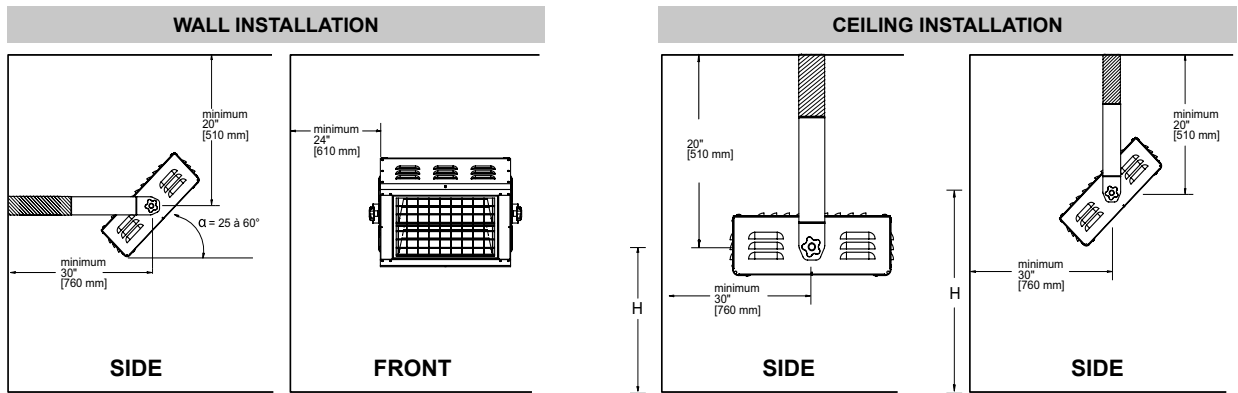


6000 W / 4800 W AT 240 V / 208 V UNITS



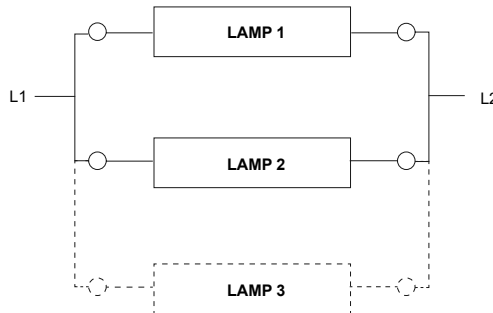
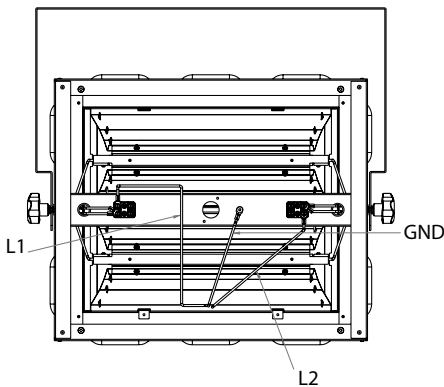
It is very important to respect the clearance from flammable material, as mentioned below.

All flammable items must be at least 60" (1.525 m) from the front of the unit.

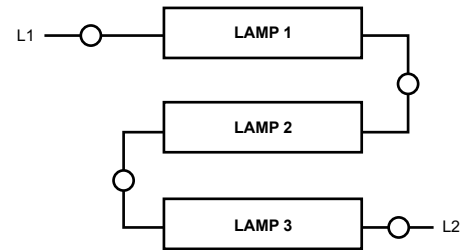


ELECTRICAL CONNECTIONS

Connect the power leads in accordance with the electrical codes in effect. Make sure the line voltage (volt) is consistent with that indicated on the unit's nameplate.



PARALLEL CONNECTION OF THE LAMPS:
ASIRH1501W, ASIRH2002W, ASIRH4002W
AND ASIRH6002W MODELS



SERIES CONNECTION OF THE LAMPS:
ASIRH4203W MODEL

Each unit is equipped with power leads that come in a flexible metallic duct and with a connector that is ready to be connected to an electrical box (not included).

N.B. This product must be connected by a qualified electrician according to the electrical and building codes effective in your region.

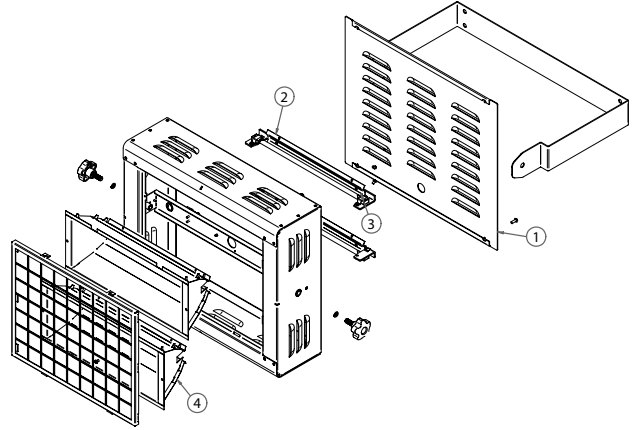
INSTALLATION, OPERATION & MAINTENANCE

REPLACEMENT OF AN INFRARED LAMP



Handle carefully; there are sharp aluminum pieces inside.

1. Before installing or replacing an infrared lamp, switch off the appropriate circuit breaker in the electrical service panel.
2. Remove the back cover (1).
3. Before disconnecting the defective lamp, please note how the wires are fixed to the ceramic terminal blocks. It is very important to connect the lamps in the same way as before (parallel or series connection).
4. Unplug the wires connected to the defective lamp (3) from the ceramic terminal blocks.
5. Remove the four screws from the primary reflector (2) and remove it. Unscrew the two support clips on either end of the reflector in order to remove the lamp (3) from the mounting base.
6. Place the new infrared lamp (3) into the mounting base of the primary reflector (2), position the new lamp so that the wires (and the glass bump in the middle of the lamp) are facing away from the primary reflector (2). Insert and screw the support clips securing the lamp at each end of the mounting base.



N.B. Avoid applying too much pressure when inserting the infrared lamp in the support clips. Never insert the infrared element holding it by the quartz tube with bare hands. Handle the lamp by the ceramic ends. The element should only be cleaned with a clean rag. Failure to follow these directives might shorten the infrared lamps' life expectancy.

7. Make sure that the connection to the ceramic terminal blocks is connected as it was originally, in parallel or in series according to the model, as shown on the above diagrams. Screw the primary reflector to the secondary reflector, close and screw the back cover.

NOTE: The approximate life expectancy of a new infrared lamp is 5000 hours.

OPERATION

Warning: the heater must be properly installed before it is used.

MAINTENANCE



All other repairs and maintenance other than those described in this guide should be performed by qualified service personnel. In order for the warranty to be valid, the unit must be cleaned regularly. Cut off power supply at circuit breaker/fuse and wait for the unit to cool down before cleaning.

Use a soft rag for dusting. When cleaning, use only a damp rag and non-abrasive dish soap. Do not use abrasive or chemical cleaners because they may damage the finish. If the unit is used in a very dusty location, use a vacuum brush to remove dust and other foreign objects from the grills. Note that cigarette smoke could yellow the discharge grill and that the best way to prevent it is to clean the unit on a regular basis.

Do not use cleaning products identified with these symbols:



N.B. There is electrical current linked to the unit even if the thermostat is set off. This means that there is a risk of electric shock as long as the unit is energized.

TROUBLESHOOTING

PROBLEM	DEFECTIVE PART OR PART TO CHECK
The unit fails to heat	<ul style="list-style-type: none"> - Open circuit breaker or fuse - Faulty connections - One or more defective infrared elements
The desired temperature cannot be reached	<ul style="list-style-type: none"> - One or more defective infrared elements - Voltage lower than that indicated on the nameplate - Unit mounted too high - Unit not powerful enough for desired usage - Unit installed inappropriately
The temperature felt is too high	<ul style="list-style-type: none"> - Unit mounted too low - Unit too powerful for desired usage - Defective or non-existent controls
The breaker trips when the heater is turned on	<ul style="list-style-type: none"> - Faulty connections - Voltage higher than that indicated on the nameplate

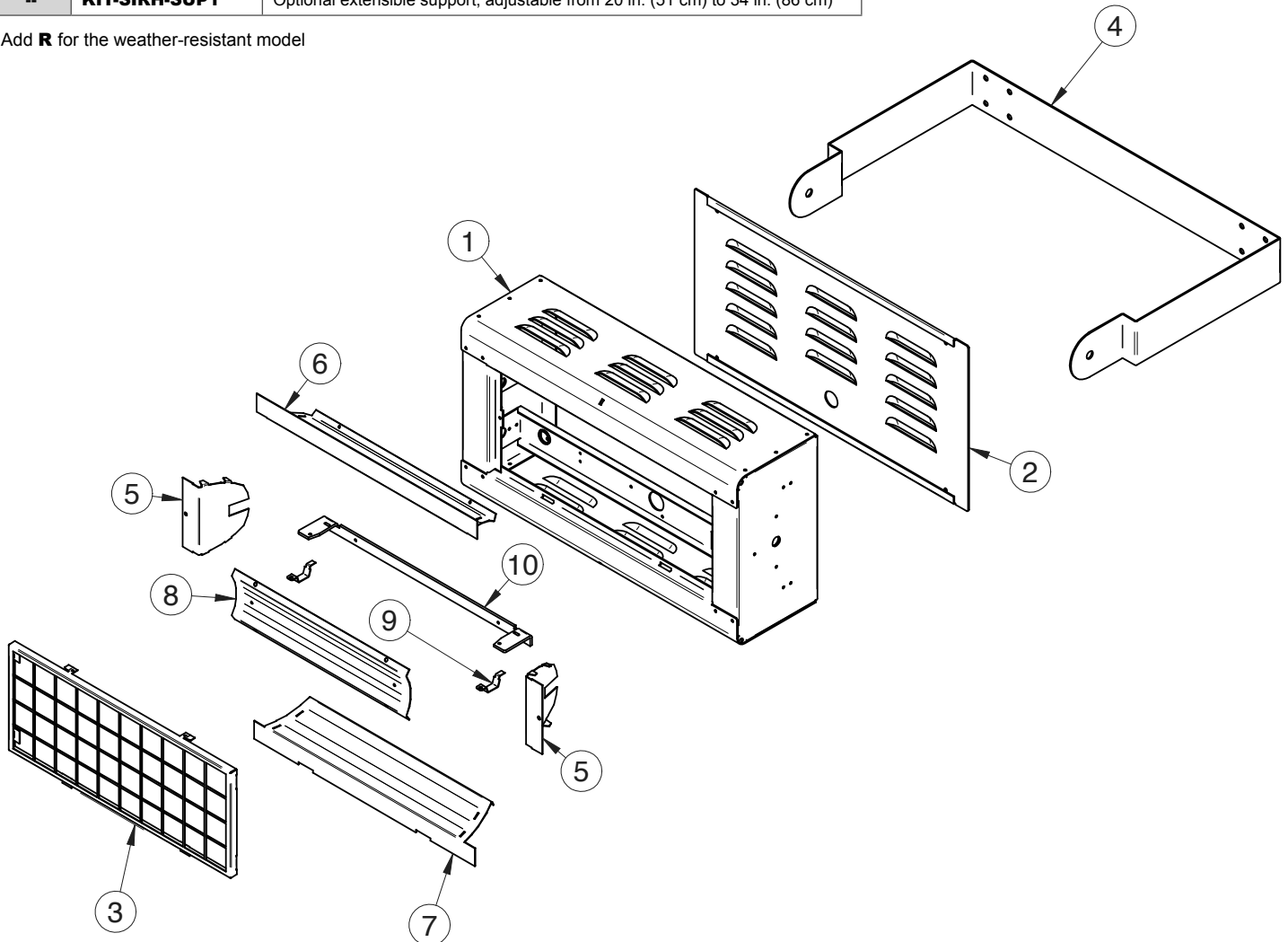
N.B. If you do not solve the problem after checking these points, cut off the power supply at the main electrical panel and contact our customer service (see the LIMITED WARRANTY section to obtain the phone numbers).

REPLACEMENT COMPONENT LIST

REPLACEMENT COMPONENT LIST

REF. #	PART #	DESCRIPTION
1	M-SIRH100ABK	Assembled case for ASIRH2002W* model
1	M-SIRH200ABK	Assembled case for ASIRH4002W* model
1	M-SIRH300ABK	Assembled case for ASIRH4203W* and ASIRH6002W* model
2	M-SIRH105ZBK	Back cover with louvers (ASIRH2002W)
2	M-SIRH113ZBK	Back cover without louvers (ASIRH2002WR)
2	M-SIRH205ZBK	Back cover with louvers (ASIRH4002W)
2	M-SIRHRP205ZBK	Back cover without louvers (ASIRH4002WR)
2	M-SIRH305ZBK	Back cover with louvers (for ASIRH4203W and ASIRH6002W models)
2	M-SIRHRP305ZBK	Back cover without louvers (ASIRH4203WR, ASIRH6002WR)
3	M-SIRH104ZSS	Front grill ASIRH2002W*
3	M-SIRH204ZSS	Front grill ASIRH4002W*
3	M-SIRH304ZSS	Front grill (for ASIRH4203W* and ASIRH6002W* models)
4	M-SIRH206ZBK	Mounting bracket
5	KIT-SIRH101	Replacement kit SIRH primary reflector
6	KIT-ESIRH151	Infrared replacement element 1500W 120V
6	KIT-ESIRH202	Infrared replacement element 2000W/1600 W 240V/208V
7	KIT-SIRH102	Replacement kit SIRH secondary reflector
--	KIT-SIRH-SUP1	Optional extensible support, adjustable from 20 in. (51 cm) to 34 in. (86 cm)

* Add **R** for the weather-resistant model



LIMITED WARRANTY

This limited warranty is offered by Stelpro Design inc. ("Stelpro") and applies to the following products made by Stelpro: ASIRH models. **Please read this limited warranty carefully.** Subject to the terms of this warranty, Stelpro warrants its products and their components against defects in workmanship and/or materials for the following period from the date of purchase: **3 years**. This warranty applies only to the original purchaser; it is non-transferable and cannot be extended.

CLAIM PROCEDURE

If at any time during the warranty period the unit becomes defective, you must cut off the power supply at the main electrical panel and contact 1) your installer or distributor, 2) your service center or 3) Stelpro's customer service department. In all cases, you must have a **copy of the invoice** and provide the **information written on the product nameplate**. Stelpro reserves the right to examine or to ask one of its representatives to examine the product itself or any part of it before honoring the warranty. Stelpro reserves the right to replace the entire unit, refund its purchase price or repair a defective part. Please note that repairs made within the warranty period must be authorized in advance in writing by Stelpro and carried out by persons authorized by Stelpro.

Before returning a product to Stelpro, you must have a Stelpro authorization number (RMA). To obtain it, call the customer service department at: **1-800-363-3414** (electricians and distributors - French), **1-800-343-1022** (electricians and distributors - English), or **1-866-766-6020** (consumers). The authorization number must be clearly written on the parcel or it will be refused.

CONDITIONS, EXCLUSIONS AND DISCLAIMER OF LIABILITY

This warranty is exclusive and in lieu of all other representations and warranties (except of title), expressed or implied, and Stelpro expressly disclaims and excludes any implied warranty of merchantability or implied warranty of fitness for a particular purpose.

Stelpro's liability with respect to products is limited as provided above. Stelpro shall not be subject to any other obligations or liabilities whatsoever, whether based on contract, tort or other theories of law, with respect to goods or services furnished by it, or any undertakings, acts or omissions relating thereto. Without limiting the generality of the foregoing, Stelpro expressly disclaims any liability for property or personal injury damages, penalties, special or punitive damages, damages for lost profits, loss of use of equipment, cost of capital, cost of substitute products, facilities or services, shutdowns, slowdowns, or for other types of economic loss or for claims of a dealer's customers or any third party for such damages. Stelpro specifically disclaims all consequential, incidental and contingent damages whatsoever.

This warranty does not cover any damages or failures resulting from: 1) a faulty installation or improper storage; 2) an abusive or abnormal use, lack of maintenance, improper maintenance (other than that prescribed by Stelpro) or a use other than that for which the unit was designed; 3) a natural disaster or an event out of Stelpro's control, including, but not limited to, hurricanes, tornadoes, earthquakes, terrorist attacks, wars, overvoltage, flooding, water damages, etc. This warranty does not cover any accidental or intentional losses or damages, nor does it cover damages caused by negligence of the user or owner of the product. Moreover, it does not cover the cost of disconnection, transport, and installation.

The warranty is limited to the repair or the replacement of the unit or the refund of its purchase price, **at the discretion of Stelpro**. Any parts replaced or repaired within the warranty period with the written authorization of Stelpro will be warranted for the remainder of the original warranty period. This warranty will be considered null and void and Stelpro will have the right to refuse any claims **if products have been altered** without the written authorization of Stelpro and if the nameplate numbers have been removed or modified. This warranty does not cover scratches, dents, corrosion or discoloration caused by excessive heat, chemical cleaning products and abrasive agents. It does not cover any damage that occurred during the shipping.

Some states and provinces do not allow the exclusion or limitation of incidental or consequential damages and some of them do not allow limitations on how long an implied warranty lasts, so these exclusions or limitations may not apply to you. This warranty gives you specific legal rights and you may have other rights which vary from state to state or from province to province.