

## OWNER'S MANUAL

# °STELPRO

NON-PROGRAMMABLE ELECTRONIC THERMOSTAT  
FOR BASEBOARDS AND CONVECTORS

ST252NP ST302NP ST402NP

1-844-STELPRO  
WWW.STELPRO.COM

## IMPORTANT INSTRUCTIONS

THE THERMOSTAT MUST BE INSTALLED BY A CERTIFIED  
ELECTRICIAN.

Connect the thermostat to a 120 to 240 VAC power source ONLY and  
comply with load limits.

### WARNING – HIGH VOLTAGE

Turn off the power supply before installation and main-  
tenance. Leave at least 12 in. (30 cm) clearance around  
the thermostat to ensure that it is properly vented.

## SAVE THESE INSTRUCTIONS

## TECHNICAL SPECIFICATIONS

### VOLTAGE AND LOAD

| PRODUCT CODE | SUPPLY VOLTAGE | LOAD AT 120 V | LOAD AT 240 V |
|--------------|----------------|---------------|---------------|
|              | VOLTS          | WATTS         | WATTS         |
| ST252NP      | 120-240        | 150-1250      | 300-2500      |
| ST302NP      |                | 150-1500      | 300-3000      |
| ST402NP      |                | 150-2000      | 300-4000      |

|   |  |
|---|--|
| Load control type   | Resistive  |
| Frequency   | 60 Hz  |
| Storage temperature   | -40°C to 50°C (-40°F to 122°F)   |
| Operating temperature   | -20°C to 50°C (-4°F to 122°F).<br>LC display less effective below 0°C (32°F) |
| Humidity  | 5% to 98% without condensation   |
| Action  | Type 1.Y   |
| Pollution degree  | 2  |
| Software  | Class A  |
| Rated impulse voltage   | Category II (1500 V)   |
| Independently mounted control for surface mounting  |  |
| Thermistor used as a sensor, carries no load current  |  |
| Overload protection device external to the control: circuit breaker<br>(refer to local electrical code) |  |

## BEFORE YOU GET STARTED

- The box contains one (1) thermostat with mounting plate, two (2) mounting screws, two (2) twist-on wire connectors and one (1) owner's manual.
- To install this thermostat, you will need a #2 Phillips screwdriver.
- Install your thermostat about 5 ft (1.5 m) from the floor on an inside wall facing the heating system.

EN1

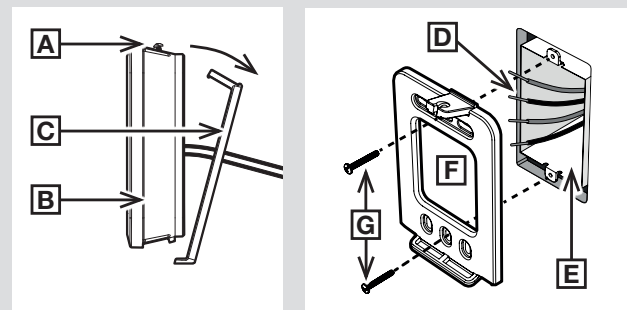
## INSTALLATION

### 1 ATTACH THE MOUNTING PLATE

#### WARNING

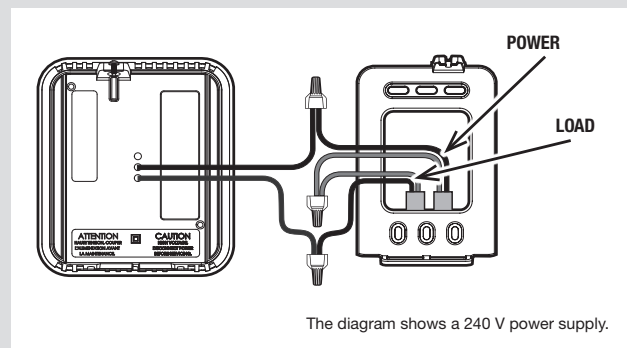
Turn off the power supply.

- Loosen the screw [A] at the top of the thermostat [B] without removing it.
- Separate the mounting plate [C] from the thermostat. Pull the top of the plate and rotate it as shown.
- Take the power wires [D] out of the junction box [E] and run them through the large opening in the center of the mounting plate [F].
- Using the two (2) mounting screws provided [G], attach the thermostat mounting plate to the junction box [E]. The plate can be centered on the junction box or shifted to the left or right.



### 2 CONNECT THE POWER SUPPLY WIRES

- Complete the thermostat's electrical connection according to the diagram below. Tighten the wires securely in the supplied wire connectors.
- Push the wires and connectors into the electrical box.



#### WARNING

Incorrectly connected electrical wires could  
result in a fire hazard.

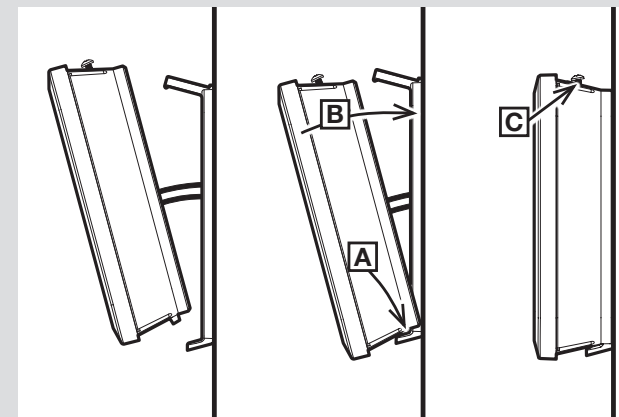
NOTE: If the electrical wires are aluminum, use CO/ALR  
connectors instead (not supplied).

EN2

## INSTALLATION – CONT'D

### 3 ATTACH THE THERMOSTAT

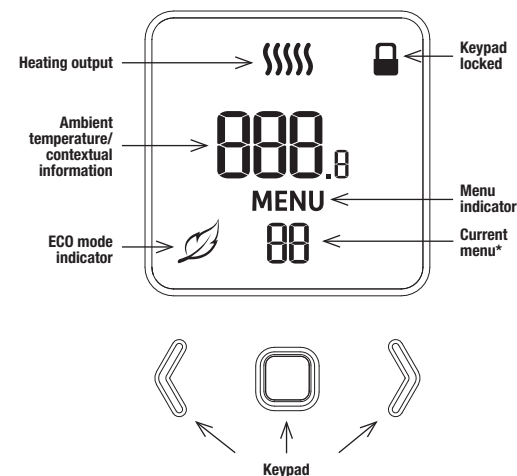
- Using the alignment guide, hook the bottom [A] of the thermostat into the bottom of the plate. Be sure not to jam the wires between the thermostat and mounting plate.
- Rotate the thermostat upwards [B] and attach it on the top hook of the mounting plate.
- Tighten the screw at the top of the thermostat [C] to hold it in place securely.
- Restore the power at the circuit breaker.



NOTE: If you need to remove the thermostat, follow step 1 in  
section 1, then use a straight screwdriver to unhook it from the  
top of the mounting plate.

## INTERFACE

This is a non-programmable thermostat. The temperature  
setpoint remains constant unless you change it.



Touch the keypad once to activate the backlight, then you  
can make changes.

EN3

## INITIAL SETTINGS

To begin with, follow the on-screen instructions to adjust your  
thermostat's settings. Press < or > to change your selection  
and < to confirm.

- Temperature format: °C / °F (Celsius / Fahrenheit)
- ECO mode setpoint temperature (5°C to 30°C / 41°F to 86°F). By default, the ECO mode setpoint is 17°C / 63°F.

Your heating needs may vary according to the season  
and even the time of day. To meet your needs, this ther-  
mostat is equipped with two distinct modes: ECO and  
COMFORT. You can switch from one mode to another  
by simply pressing <. ECO mode saves you money by  
providing a more energy-efficient setpoint temperature  
when you're sleeping or away from home.

YOUR THERMOSTAT IS NOW READY TO USE!

## FEATURES

### KEY FEATURES

- Press < or > once to lower or raise the setpoint tempe-  
rature by 0.5°C / 1°F. The setpoint temperature will remain  
at this value until it is changed. **Note:** If you change the  
setpoint temperature while in ECO mode, the thermostat  
will switch to COMFORT mode.
- Press < once to switch from ECO mode to COMFORT  
mode and vice versa.

### ADVANCED MENU ACCESS AND USE

- Press and hold < for three (3) seconds to access the  
thermostat's advanced menus.
- Press < or > to change your selection.
- Press < to confirm your selection and proceed to the  
next menu.
- Press and hold < for three (3) seconds to exit the  
advanced menus.

### ADVANCED MENUS LIST

- Menu 10** – Temperature format: °C / °F (Celsius / Fahrenheit)
- Menu 20** – ECO mode setpoint temperature (5°C to 30°C / 41°F to 86°F). By default, the ECO mode setpoint is 17°C / 63°F.
- Menu 30** – Keypad lock: ON / OFF (Lock / Unlock keypad)
- dEF** – Reset thermostat to default values: N / Y (No / Yes)

## °STELPRO LIMITED WARRANTY

Limited three-year warranty. See details on [www.stelpro.com](http://www.stelpro.com).