

## OWNER'S MANUAL

# °STELPRO

NON-PROGRAMMABLE ELECTRONIC THERMOSTAT  
FOR FAN HEATERS

ST252NPFF ST402NPFF

1-844-STELPRO  
WWW.STELPRO.COM

## IMPORTANT INSTRUCTIONS

THE THERMOSTAT MUST BE INSTALLED BY A CERTIFIED ELECTRICIAN.

Connect the thermostat to a 120 to 240 VAC power source ONLY and comply with load limits.

**WARNING – HIGH VOLTAGE**  
Turn off the power supply before installation and maintenance. Leave at least 12 in. (30 cm) clearance around the thermostat to ensure that it is properly vented.

## SAVE THESE INSTRUCTIONS

## TECHNICAL SPECIFICATIONS

### VOLTAGE AND LOAD

PRODUCT CODE	SUPPLY VOLTAGE	LOAD AT 120 V	LOAD AT 240 V
	VOLTS	WATTS	WATTS
ST252NPFF	120-240	150-1250	300-2500
ST402NPFF		150-2000	300-4000

Load control type	Resistive
Frequency	60 Hz
Storage temperature	-40°C to 50°C (-40°F to 122°F)
Operating temperature	-20°C to 50°C (-4°F to 122°F). LC display less effective below 0°C (32°F)
Humidity	5% to 98% without condensation
Action	Type 1.Y
Pollution degree	2
Software	Class A
Rated impulse voltage	Category II overvoltage (1500 V)
Independently mounted control for surface mounting	
Thermistor used as a sensor, carries no load current	
Overload protection device external to the control: circuit breaker (refer to local electrical code)	

## °STELPRO LIMITED WARRANTY

Limited three-year warranty. See details on [www.stelpro.com](http://www.stelpro.com).

## BEFORE YOU GET STARTED

- The box contains one (1) thermostat with mounting plate, two (2) mounting screws, three (3) twist-on wire connectors and one (1) owner's manual.
- To install this thermostat, you will need a #2 Phillips screwdriver.
- Install your thermostat about 5 ft (1.5 m) from the floor on an inside wall facing the heating system.

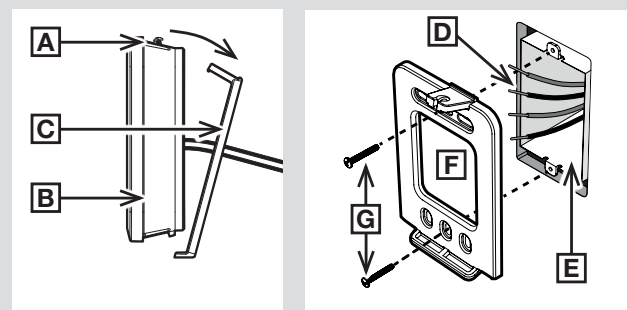
EN1

## INSTALLATION

### 1 ATTACH THE MOUNTING PLATE

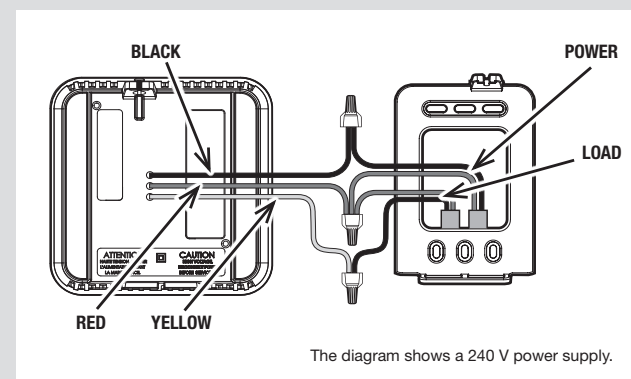
**WARNING**  
Turn off the power supply.

- Loosen the screw [A] at the top of the thermostat [B] without removing it.
- Separate the mounting plate [C] from the thermostat. Pull the top of the plate and rotate it as shown.
- Take the power wires [D] out of the junction box [E] and run them through the large opening in the center of the mounting plate [F].
- Using the two (2) mounting screws provided [G], attach the thermostat mounting plate to the junction box [E]. The plate can be centered on the junction box or shifted to the left or right.



### 2 CONNECT THE POWER SUPPLY WIRES

- Complete the thermostat's electrical connection according to the diagram below. Tighten the wires securely in the supplied wire connectors.
- Push the wires and connectors into the electrical box.



**WARNING**  
Incorrectly connected electrical wires could result in a fire hazard.

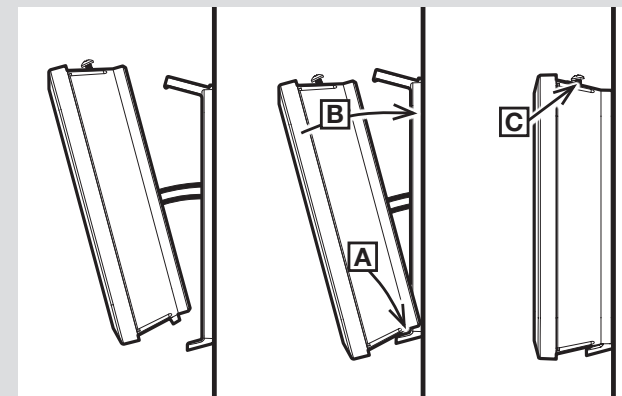
NOTE: If the electrical wires are aluminum, use CO/ALR connectors instead (not supplied).

EN2

## INSTALLATION – CONT'D

### 3 ATTACH THE THERMOSTAT

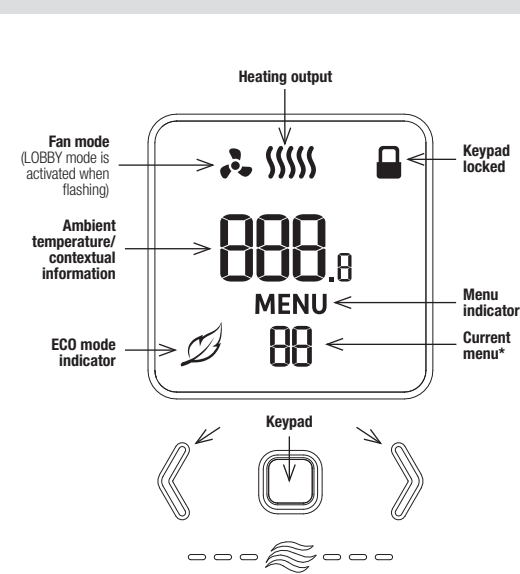
- Using the alignment guide, hook the bottom [A] of the thermostat into the bottom of the plate. Be sure not to jam the wires between the thermostat and mounting plate.
- Rotate the thermostat upwards [B] and attach it on the top hook of the mounting plate.
- Tighten the screw at the top of the thermostat [C] to hold it in place securely.
- Restore the power at the circuit breaker.



NOTE: If you need to remove the thermostat, follow step 1 in section 1, then use a straight screwdriver to unhook it from the top of the mounting plate.

## INTERFACE

This is a non-programmable thermostat. The temperature setpoint remains constant unless you change it.



\*Displays only when using the advanced menus.

Touch the keypad once to activate the backlight, then you can make changes.

EN3

## INITIAL SETTINGS

To begin with, follow the on-screen instructions to adjust your thermostat's settings. Press < or > to change your selection and < to confirm.

- Temperature format: °C / °F (Celsius / Fahrenheit)
- ECO mode setpoint temperature (5 °C to 30 °C / 41 °F to 86 °F). By default, the ECO mode setpoint is 17 °C / 63 °F.

Your heating needs may vary according to the season and even the time of day. To meet your needs, this thermostat is equipped with two distinct modes: ECO and COMFORT. You can switch from one mode to another by simply pressing <. ECO mode saves you money by providing a more energy-efficient setpoint temperature when you're sleeping or away from home.

- Lobby mode: Std / Lby (Standard room / Lobby).

In Lobby mode, the thermostat automatically provides 100% heating for five minutes as soon as a sudden drop in temperature is detected. This mode can be useful for heaters located near an entrance. When this mode is activated, the icon flashes.

YOUR THERMOSTAT IS NOW READY TO USE!

## FEATURES

### KEY FEATURES

- Press < or > once to lower or raise the setpoint temperature by 0.5 °C / 1 °F. The setpoint temperature will remain at this value until it is changed. **Note:** If you change the setpoint temperature while in ECO mode, the thermostat will switch to COMFORT mode.
- Press < once to switch from ECO mode to COMFORT mode and vice versa.
- Press < and > simultaneously to activate BOOST mode. Then, press < or > to select BOOST mode duration (10, 20, 30, 40, 40, 50 or 60 minutes). The thermostat will then heat at 100% for the time specified.

### ADVANCED MENU ACCESS AND USE

- Press and hold < for three (3) seconds to access the thermostat's advanced menus.
- Press < or > to change your selection.
- Press < to confirm your selection and proceed to the next menu.
- Press and hold < for three (3) seconds to exit the advanced menus.

### ADVANCED MENUS LIST

- Menu 10** – Temperature format: °C / °F (Celsius / Fahrenheit)
- Menu 20** – ECO mode setpoint temperature (5 °C to 30 °C / 41 °F to 86 °F). By default, the ECO mode setpoint is 17 °C / 63 °F.
- Menu 30** – Lobby mode: Std / Lby (Standard room / Lobby)
- Menu 40** – Keypad lock: ON / OFF (Lock / Unlock keypad)
- dEF** – Reset thermostat to default values: N / Y (No / Yes)