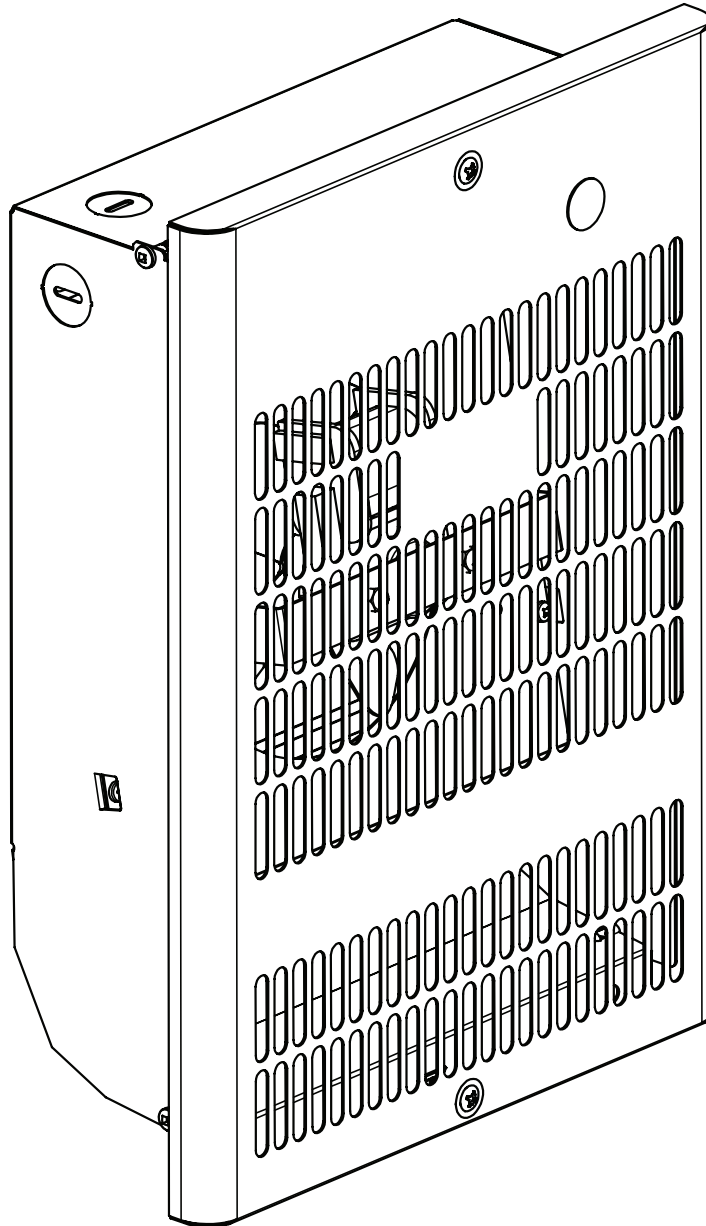


WALL FAN HEATER

REPLACEMENT COMPONENT LIST INCLUDED

UWH1002W



USER'S GUIDE



This unit complies
with CSA and UL
standards

SAVE THESE INSTRUCTIONS

WARNING



Before installing and operating this product, the user and/or installer must read, understand and follow these instructions and keep them handy for future reference. If these instructions are not followed, the warranty will be considered null and void and the manufacturer deems no further responsibility for this product.

This product must be installed by a qualified person and connected by a **certified electrician**, according to the **electrical and building codes** effective in your region.

The following instructions must be adhered to in order to avoid personal injuries or property damages, serious injuries and potentially fatal electric shocks.

Protect the heating unit with the appropriate circuit breaker or fuse, in accordance with the nameplate.

Make sure the line voltage (volt) is consistent with that indicated on the unit's nameplate.

Switch off the power at the circuit breaker/fuse before installing, repairing and cleaning the unit.

This unit has only one installation position. The top of the unit must face up.

Make sure the unit is appropriate for the intended use (if needed, refer to the product catalog or a representative). Use this heater only as described in this manual. Any other use not recommended by the manufacturer may cause fire, electric shock, or injury to persons. Do not use outdoors.

RECOMMENDED HEATING CAPACITY: 1.25 W/cubic foot (0.03 m³)

It corresponds to **10 W/square foot (0.09 m²)** based on a standard ceiling height of **8 feet (2.44 m)**. The recommended capacity is usually sufficient for normal heating needs. Please note that the insulation quality of walls and windows are some of the factors that influence heat losses, which modify the required capacity to heat a room. If needed, refer to a specialist who will be able to calculate these heat losses and optimize the required capacity or consult the "Online heating calculation" section of the Stelpro website (residential buildings). To heat a large room and to increase your comfort, it is recommended to install several units instead of one. For example, 2 X 1000 W rather than 1 X 2000 W.

Do not install the unit where objects or pieces of furniture could be heat damaged.

If the unit's capacity is insufficient for the size of the room, it will be in operation continuously, and may become defective earlier and turn yellow.

Respect distances and positions indicated in the installation section.

If the installer or user modifies the unit, they will be held responsible for any damage resulting from this modification, and the CSA certification could be void.

This unit must not come into contact with a water source and must be protected from splashes (e.g. a wet mop). Do not use it if any part has been immersed. Moreover, do not turn it on or off when standing in water or if your hands are wet.

When mounting the unit, make sure that the anchorage used can support the total weight of the unit with the mounting brackets.

When cutting or drilling into a wall, do not damage electrical wiring and other hidden utilities.

When starting up the unit for the first time or after a long period, it is normal that it produces some temporary odours and whitish smoke.

Because this unit is hot when in use, it may pose risks even in normal operation. Therefore, be careful and responsible when using it. To avoid burns, do not let bare skin touch hot surfaces. Let the unit cool down for a few minutes before handling it (it stays warm for some time after shut-down). Extreme caution is necessary when any heater is used by or near children or invalids and whenever the heater is left operating and unattended.

This unit must be installed at least 8 in (20.3 cm) from any adjacent surfaces (walls and floors). Moreover, make sure objects or pieces of furniture such as, but not limited to, blankets, towels, beds, laundry baskets, clothing, papers, electric wires and other flammable items, do not come into contact with the unit and keep them at least **3 feet (91 cm)** from the unit. Failure to comply with this warning could lead to a fire. Some materials are more heat-sensitive than others, so make sure those near the unit can withstand heat.

Do not install on a wall behind a door.

Never block air vents (with objects or other items). You risk damaging the heater and the obstruction could lead to electric shock or overheating, which could result in a fire.

Do not insert or allow foreign objects to enter any air vent as this may cause electric shocks, a fire or damages to the unit.

This unit has hot and arcing or sparking parts inside. It is not designed to be used or stored in wet areas or areas containing flammable liquids, combustible materials or corrosive, abrasive, chemical, explosive and flammable substances such as, but not limited to, gasoline, paint, chlorine, sawdust and cleaning products.

Some areas are dustier than others. Thus, it is the user's responsibility to evaluate if the unit must be cleaned based on the amount of dirt accumulated on and inside air vents. Accumulated dirt can lead to a component malfunction or give a yellowish colour to unit. Failure to install and maintain unit in accordance with these instructions poses a fire hazard.

Thermal protection activation indicates that the unit has been subjected to abnormal operating conditions. If the thermal protection remains activated or activates and deactivates repeatedly, it is recommended that a qualified electrician or a certified repair centre examine the unit in order to make sure it is not damaged. (Refer to the limited warranty.)

Before unplugging the unit, all controls must be in the "OFF" position and the current from the main breaker panel should be cut. (The general switch may be used also, if included.)

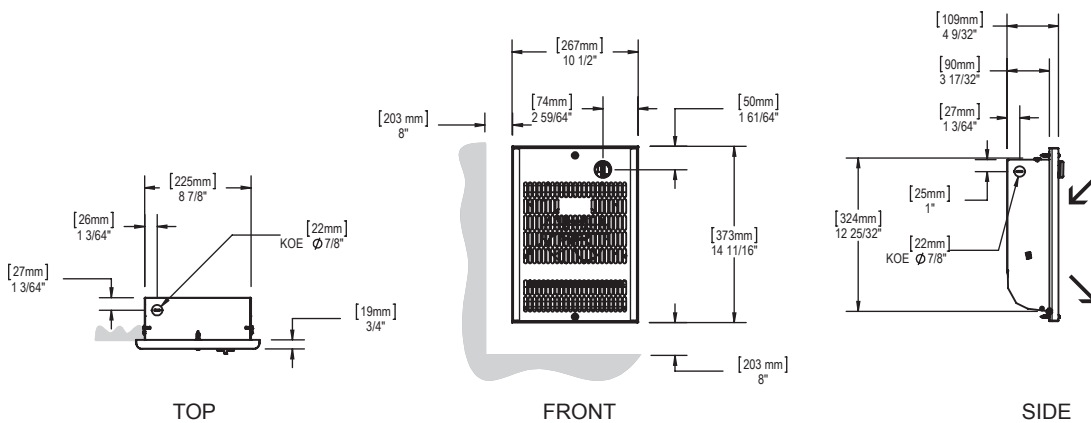
If the unit is damaged or defective, discontinue use, cut off power supply at circuit breaker and contact a certified electrician or certified repair centre. (Refer to the limited warranty)

SAVE THESE INSTRUCTIONS

Note: When a part of the product specification must be changed to improve operability or other functions, priority is given to the product specification itself. In such instances, the instruction manual may not entirely match all the functions of the actual product. Therefore, the actual product and packaging, as well as the name and illustration, may differ from the manual.

TECHNICAL DRAWINGS AND SPECIFICATIONS

TECHNICAL DRAWINGS



SPECIFICATIONS

| WALL FAN HEATER | |
|-----------------|--------------------|
| VOLTS | 240 V |
| WATTS | 1000 W |
| AMPS | 4.16 |
| WEIGHT | 6.7 lb / 3.04 kg |
| FREQUENCY | 60 Hz |
| DEPTH | 4 9/32" / 109 mm |
| WIDTH | 10 1/2" / 267 mm |
| HEIGHT | 14 11/16" / 373 mm |

INSTALLATION

INSTALLATION

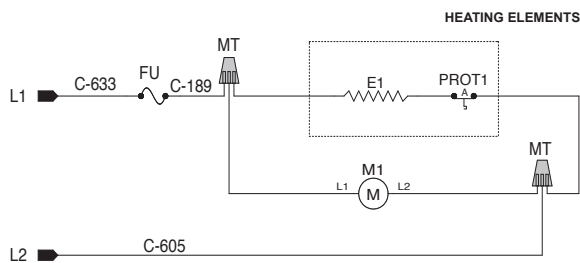


N.B. CUT OFF POWER SUPPLY AT CIRCUIT BREAKER/FUSE BEFORE PROCEEDING WITH INSTALLATION. INSTALLATION POSITION MUST BE RESPECTED : INSTALL WITH TOP OF UNIT FACING UP ONLY. TO REDUCE THE RISK OF FIRE, DO NOT STORE OR USE GASOLINE OR OTHER FLAMMABLE VAPORS AND LIQUIDS IN THE VICINITY OF THE HEATER. DO NOT MOUNT IN CONTACT WITH COMBUSTIBLE MATERIAL. DO NOT MOUNT IN CLOSE PROXIMITY TO ANOTHER UNIT.

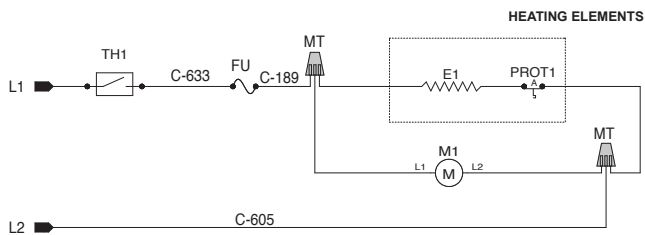
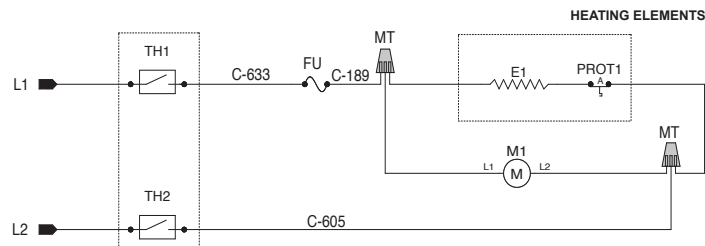
Keep the front and upper sides of the unit at least **8 inches (20.3 cm)** from any adjacent surfaces. Moreover, make sure objects or pieces of furniture such as, but not limited to, blankets, towels, beds, laundry baskets, clothing, papers, electric wires and other flammable items, do not come into contact with the unit and keep them at least **3 feet (91 cm)** from the unit. Failure to comply with this warning could lead to a fire. Some materials are more heat-sensitive than others, so make sure those near the unit can withstand heat.

ELECTRICAL CONNECTIONS

WITHOUT THERMOSTAT



WITH BUILT-IN THERMOSTAT

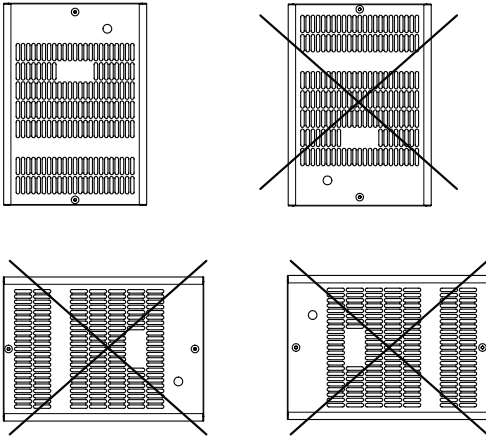


LEGEND

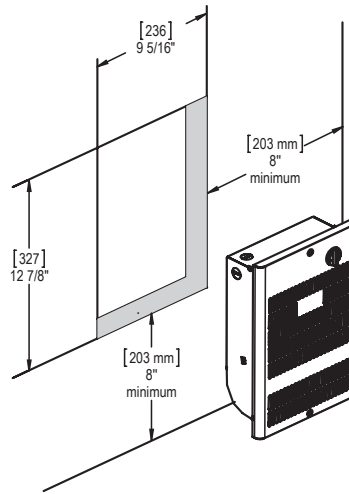
| | |
|-----------------|---|
| WIRE | GAGE 14 TEW |
| M1 | 240 V MOTOR |
| E1 & E2 | RESISTANCE WIRES |
| PROT 1 | 100° C THERMAL PROTECTION |
| MT | T&B 833 CONNECTOR |
| HEATING ELEMENT | RESISTANCE WIRES AND THERMAL PROTECTION KIT |
| FU | 104° C FUSELINK |

INSTALLATION, MAINTENANCE AND OPERATION

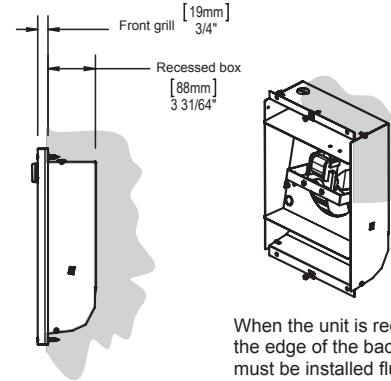
WALL INSTALLATION POSITION



RECESSED INSTALLATION



This unit must be installed at a minimum distance of 8" (20 cm) from adjacent walls and the floor.



When the unit is recessed, the edge of the back box must be installed flush with the finished wall.

INSTALLATION OF THE BACK BOX IN A NEW BUILDING

WARNING : This unit must be installed at least 8" (20 cm) from adjacent walls and the floor.

1. Determine which side of the back box is to be mounted against a stud or ceiling joist. Allow for the thickness of the finished wall when installing the back box. The edge (shoulder) of the back box must be installed flush with the finished wall.
2. Cut hole in wall (see image).
3. Position the back box on the appropriate stud or joist location and secure it using two nails or screws.
4. Remove one knockout in the back box to allow for the entry of the power supply cable (see image).
5. Bring the power supply cable to the back box. Install a cable clamp and route the cable into the back box, leaving at least 6" (152mm) of cable inside the back box for connection to the unit's lead wires.

MAINTENANCE AND OPERATION

N.B. The unit should be cleaned at least once a year. All other repairs and maintenance other than those described in this guide should be performed by qualified service personnel. In order for the warranty to be valid, the unit must be cleaned regularly.

Cut off power supply at circuit breaker/fuse and wait for the unit to cool down before cleaning.

Use a soft rag for dusting. When cleaning, use only a damp rag and non-abrasive dish soap. Do not use abrasive or chemical cleaners because they may damage the finish. If the unit is used in a very dusty location, use a vacuum brush to remove dust and other foreign objects from the grills. Note that cigarette smoke could yellow the discharge grill and that the best way to prevent it is to clean the unit on a regular basis.

N.B. There is an electrical current linked to the unit even if the thermostat is set to off. This means that there is a risk of electric shock as long as the unit is energized.

Do not use cleaning products identified with these symbols:



TROUBLESHOOTING AND REPLACEMENT COMPONENTS

TROUBLESHOOTING

| PROBLEM | DEFECTIVE PART OR PART TO CHECK |
|--|---|
| THE UNIT DOES NOT WORK | Defective thermostat or wrong thermostat setting Open circuit breaker or fuse Activated thermal protection Faulty connections |
| THE UNIT RUNS CONTINUOUSLY | Defective thermostat or wrong thermostat setting Heat losses greater than the unit's capacity |
| THE ENCLOSURE IS EXTREMELY HOT | Defective thermal protection Blocked air vents Defective motor |
| THE UNIT CYCLES UNDER CONTROL OF THE THERMAL PROTECTION (OVERHEAT INDICATOR) | Blocked air vents Defective motor |
| OVERHEATING | Defective thermostat or wrong thermostat setting Defective motor |
| THE BREAKER TRIPS WHEN THE HEATER IS TURNED ON | Faulty connections Voltage higher than indicated on the nameplate |
| ELEMENTS ARE ON, BUT THE MOTOR DOES NOT WORK | Defective motor |
| THE DESIRED ROOM TEMPERATURE CANNOT BE REACHED | One or more defective elements Defective thermostat or wrong thermostat setting Voltage lower than indicated on the nameplate Heat losses greater than the unit's capacity |

N.B. If you do not solve the problem after checking these points, cut off the power supply at the main electrical panel and contact our customer service (see the LIMITED WARRANTY section to obtain the phone numbers).

LIST OF REPLACEMENT COMPONENTS

| REF. # | PART # | DESCRIPTION |
|--------|-----------|---------------------------------|
| 1 | M-UWH02ZW | GRILL |
| 2 | MO-001 | 500 TO 1000 W (208/240 V) MOTOR |
| 3 | SB-005 | 5/8" WHITE PLUG |
| 4 | ELF-250 | ELEMENT (KIT) |
| 5 | BLA-002 | BLADE 5" 27° 4B |

| REF. # | PART # | DESCRIPTION |
|--------|--------|------------------------------|
| A | UWHT1 | THERMOSTAT KIT (SINGLE POLE) |
| B | UWHT2 | THERMOSTAT KIT (DOUBLE POLE) |

